

# DATA SHEET



## Single Phase Induction Motor - Squirrel Cage

Customer :

Product line : W22 JM Pump Single-Phase Product code : 14090128

Frame	: 213/5JM	Locked rotor time	: 10s (cold) 6s (hot)
Output	: 10 HP (7.5 kW)	Temperature rise	: 80 K
Poles	: 4	Duty cycle	: Cont.(S1)
Frequency	: 60 Hz	Ambient temperature	: -20°C to +40°C
Rated voltage	: 208-230/460 V	Altitude	: 1000 m.a.s.l.
Rated current	: 44.5-40.8/20.4 A	Protection degree	: IP55
L. R. Amperes	: 298-273/137 A	Cooling method	: IC411 - TEFC
LRC	: 6.7x(Code G)	Mounting	: F-1
No load current	: 9.66-11.2/5.60 A	Rotation <sup>1</sup>	: Both (CW and CCW)
Rated speed	: 1740 rpm	Noise level <sup>2</sup>	: 63.0 dB(A)
Slip	: 3.33 %	Starting method	: Direct On Line
Rated torque	: 4.17 kgfm	Approx. weight <sup>3</sup>	: 89.1 kg
Locked rotor torque	: 260 %		
Breakdown torque	: 240 %		
Insulation class	: F		
Service factor	: 1.15		
Moment of inertia (J)	: 0.0486 kgm <sup>2</sup>		

Output	50%	75%	100%	Foundation loads	
Efficiency (%)	77.9	82.5	84.0	Max. traction	: 140 kgf
Power Factor	0.92	0.94	0.95	Max. compression	: 230 kgf

		<u>Drive end</u>	<u>Non drive end</u>
Bearing type	:	6309 ZZ C3	6206 ZZ
Sealing	:	V'Ring	V'Ring
Lubrication interval	:	-	-
Lubricant amount	:	-	-
Lubricant type	:	Mobil Polyrex EM	

### Notes

This revision replaces and cancel the previous one, which must be eliminated.

- (1) Looking the motor from the shaft end.
- (2) Measured at 1m and with tolerance of +3dB(A).
- (3) Approximate weight subject to changes after manufacturing process.
- (4) At 100% of full load.

These are average values based on tests with sinusoidal power supply, subject to the tolerances stipulated in NEMA MG-1.

Rev.	Changes Summary	Performed	Checked	Date
Performed by				
Checked by			Page	Revision
Date	27/10/2024		1 / 2	

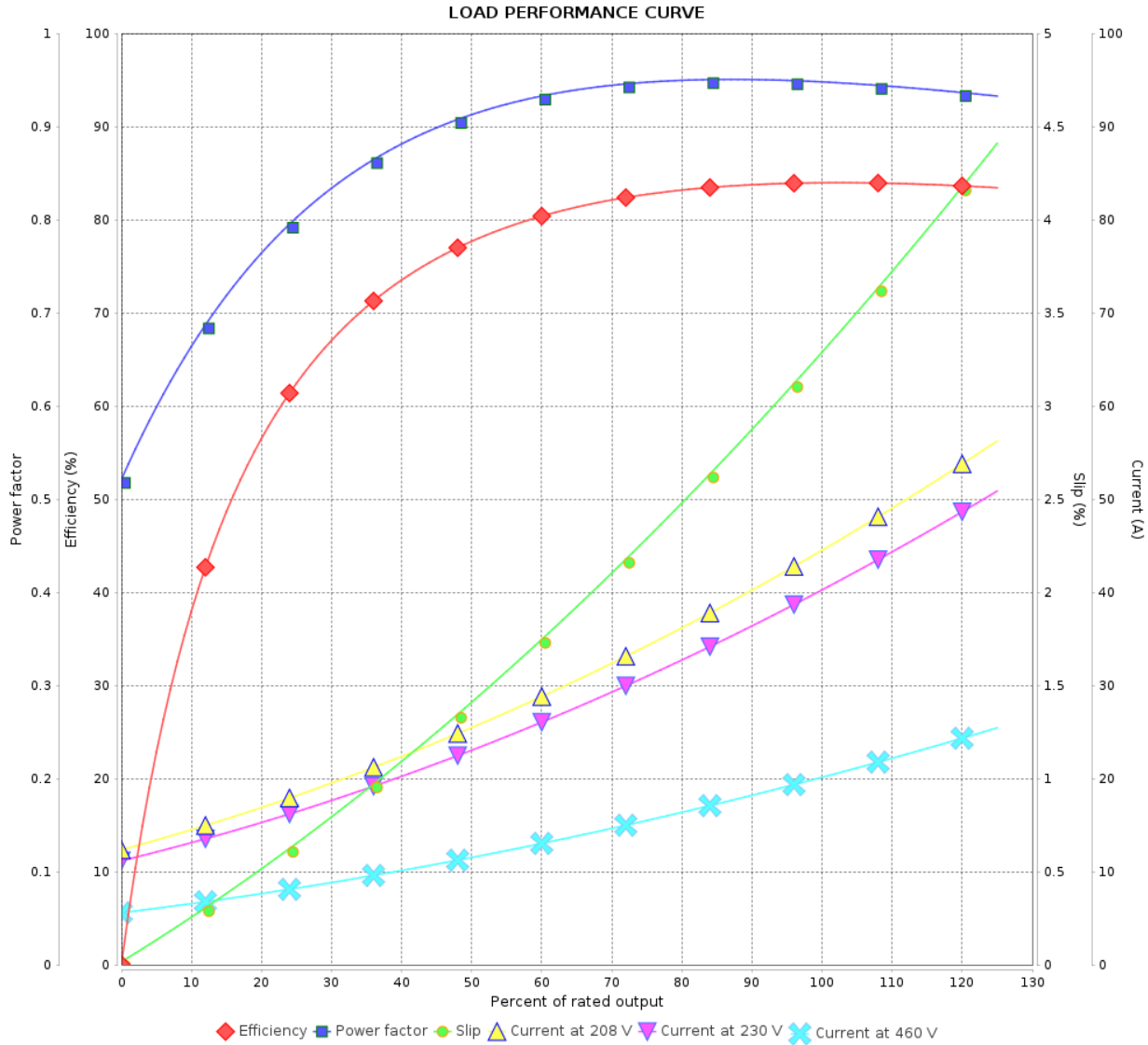
# LOAD PERFORMANCE CURVE

Single Phase Induction Motor - Squirrel Cage



Customer :

Product line : W22 JM Pump Single-Phase Product code : 14090128

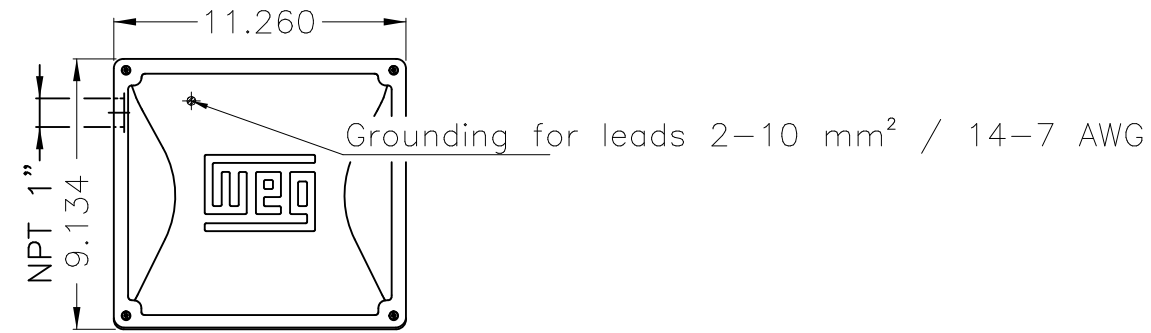


Performance : 208-230/460 V 60 Hz 4P

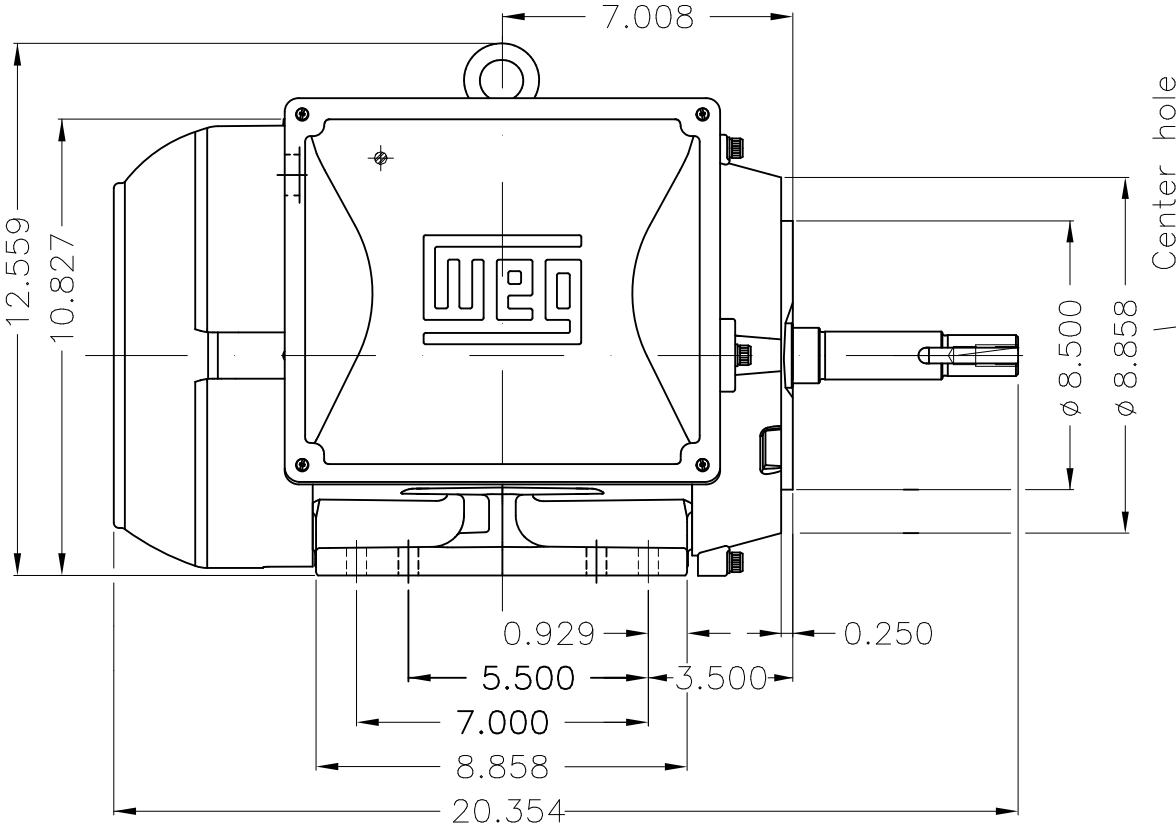
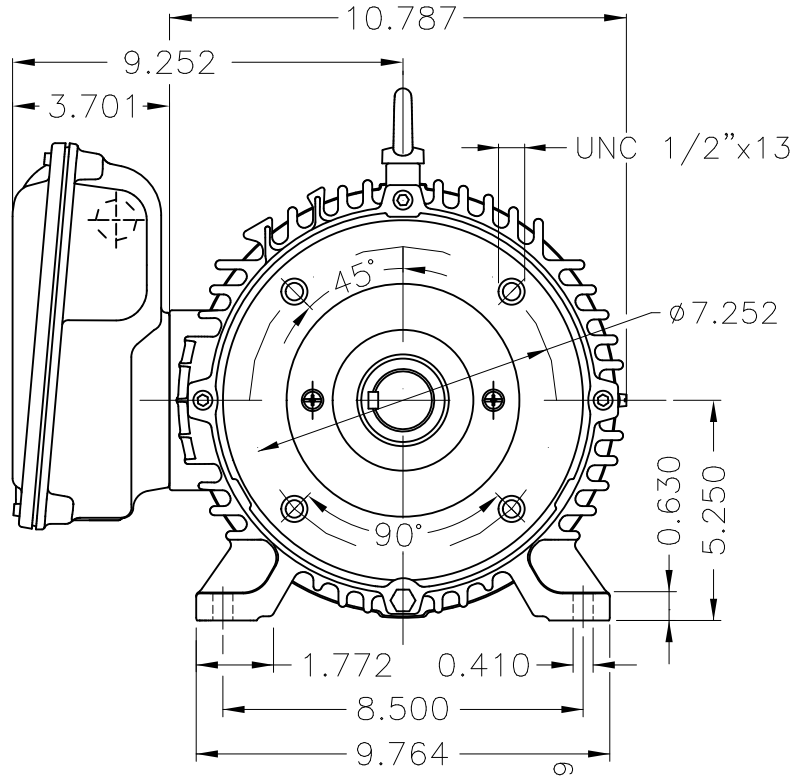
Rated current : 44.5-40.8/20.4 A  
 LRC : 6.7  
 Rated torque : 4.17 kgfm  
 Locked rotor torque : 260 %  
 Breakdown torque : 240 %  
 Rated speed : 1740 rpm

Moment of inertia (J) : 0.0486 kgm<sup>2</sup>  
 Duty cycle : Cont.(S1)  
 Insulation class : F  
 Service factor :  
 Temperature rise : 80 K

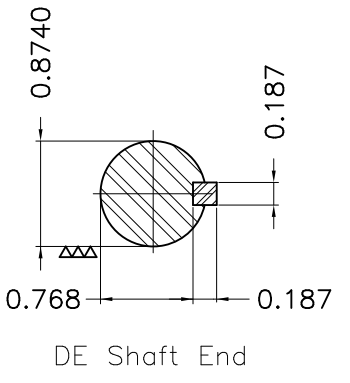
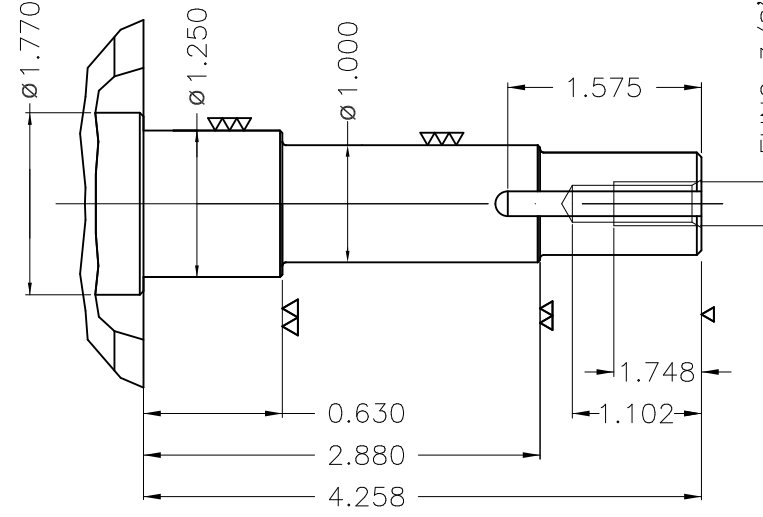
Rev.	Changes Summary	Performed	Checked	Date
Performed by			Page	Revision
Checked by			2 / 2	
Date	27/10/2024			



Main terminal box



Center hole  
EUNC 3/8"–16 WEG WPR–7309



Mounting NEMA F-1									
Mounting B34R(D)									
EXECUTED		HYBRISUSER		SINGLE PH. MOTOR W22 CLOSE COUPLED PUMP JM TYPE				PREVIEW	
CHECKED				FRAME 213/5JM IP55 TEFC				WDD 00	
RELEASED								SHEET 1 / 1	
REL. DATE		WMO Jaragua do Sul		Product Engineering				XME A3	

10 HP 04 Poles 60 Hz