

# DATA SHEET

## Single Phase Induction Motor - Squirrel Cage



Customer : V.J. PAMENSKY CANADA INC.

Product line : Special Motor

Product code : 19170744

Frame	: W56J	Locked rotor time	: 11 s (hot) 20 s (cold)
Output	: 0.5 HP (0.37 kW)	Temperature rise	: 80 K
Poles	: 2	Duty cycle	: S1
Frequency	: 60 Hz	Ambient temperature	: -20 °C to +40 °C
Rated voltage	: 115/208-230 V	Altitude	: 3280 ft
Rated current	: 4.78/2.64-2.39 A	Protection degree	: IP55
L. R. Amperes	: 40.6/22.4-20.3 A	Cooling method	: IC411 - TEFC
LRC	: 8.5 Code L	Mounting	: F-1/B34R(D)
No load current	: 1.40/0.604-0.700 A	Rotation <sup>1</sup>	: Counter clockwise
Rated speed	: 3510 rpm	Noise level <sup>2</sup>	: 66.0 dB(A)
Slip	: 2.50 %	Vibration class	: A
Rated torque	: 0.745 ft.lb	Starting method	: Direct On Line
Locked rotor torque	: 260.0 %	Approx. weight <sup>3</sup>	: 21.6 lb
Pull up torque	: 220.0 %	Painting plan	: 207N
Breakdown torque	: 300.0 %	Color	: MUNSELL N 1 - MATTE
Insulation class	: F	Design	: N
Service factor	: 1.15		
Moment of inertia (J)	: 0.0285 sq.ft.lb		

Output	50%	75%	100%	Load type	: -
Efficiency (%)	64.0	70.0	74.0	Load torque	: -
Power Factor	0.85	0.88	0.91	Load inertia (J=GD <sup>2</sup> /4)	: -

	Drive end	Non drive end	Foundation loads	
Bearing type #1	6203-2RS	6202-2RS	Max. traction	: -
Bearing type #2	-	-	Max. compression	: -
Lubrication interval	-	-		
Lubricant amount #1	-	-		
Lubricant amount #2	-	-		
Lubricant type	MOBIL POLYREX EM			

Notes  
See notes on page 2.

This revision replaces and cancel the previous one, which must be eliminated.  
(1) Looking the motor from the shaft end.  
(2) Measured at 1m and with tolerance of +3dB(A).  
(3) Approximate weight, subject to be changed after manufacturing process.

These are average values based on tests with sinusoidal power supply, subject to the tolerances stipulated in NEMA MG 1-12.

Rev.	Changes Summary	Rev.	Checked	Date
Performed by	farazq		1866245721	
Checked by	AUTOMATICO		Page	Rev.
Date	26/06/2026		1 / 2	0

# DATA SHEET

## Single Phase Induction Motor - Squirrel Cage



Customer : V.J. PAMENSKY CANADA INC.

Product line : Special Motor

Product code : 19170744

Thermal protection ID

Application

Type

Quantity

Sensing Temperature

Notes

Standards

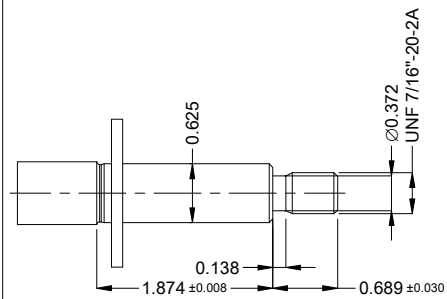
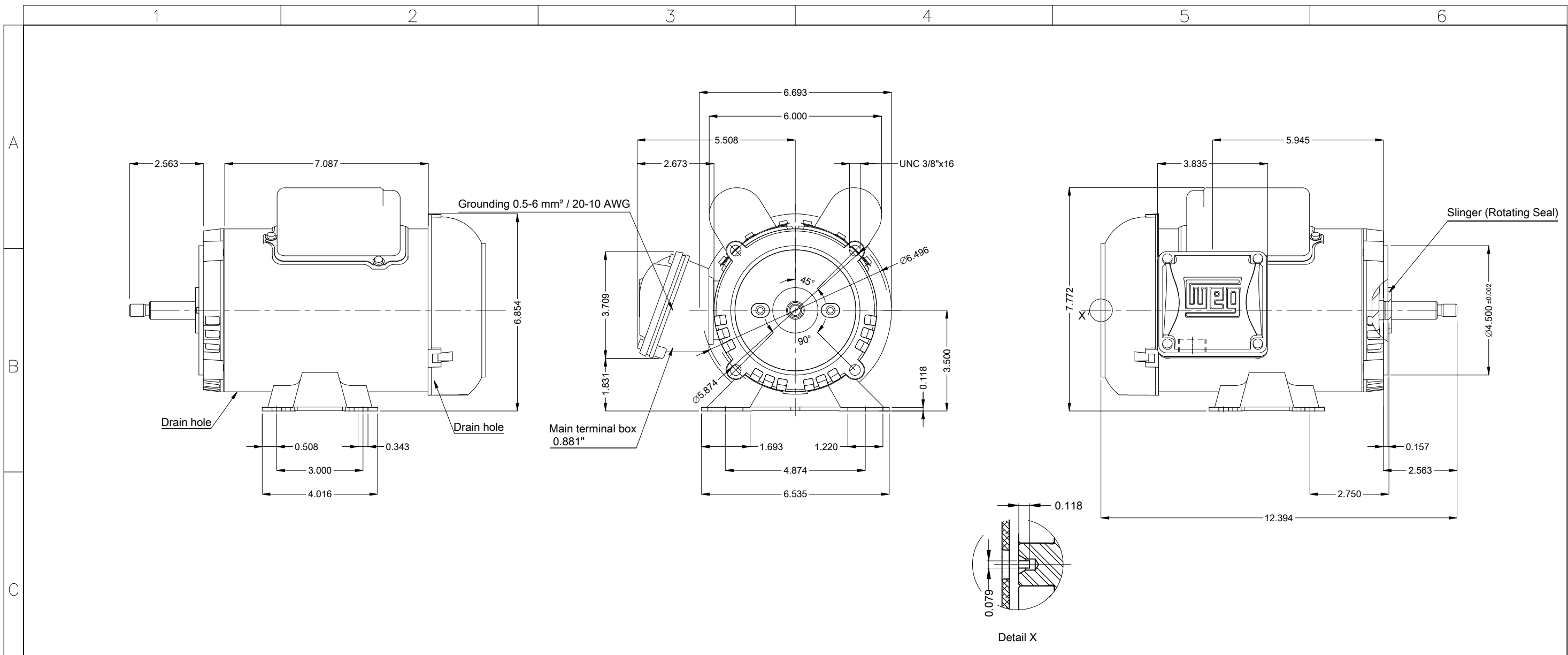
Specification : MG1 - Part 10  
Test : MG1 - Part 12  
Noise : MG1 - Part 9

Vibration : MG1 - Part 7  
Tolerance : MG1 - Part 12

This revision replaces and cancel the previous one, which must be eliminated.  
(1) Looking the motor from the shaft end.  
(2) Measured at 1m and with tolerance of +3dB(A).  
(3) Approximate weight, subject to be changed after manufacturing process.

These are average values based on tests with sinusoidal power supply, subject to the tolerances stipulated in NEMA MG 1-12.

Rev.	Changes Summary	Rev.	Checked	Date
Performed by	farazq	1866245721		
Checked by	AUTOMATICO	Page	Rev.	
Date	26/06/2026	2 / 2	0	



Dipping impregnation - polyester
Counterclockwise rotation
Reinforce the foot with 2 mig welding spots
Shaft material - stainless steel AISI 304
Phenolic thermal protector - automatic
Without alarm thermal protection
Without switch off thermal protection
Color Munsell N 1 matte black
Painting plan 207N
Mounting MARKET F-1/B34R(D)
Mounting B34D

0.5 HP 02 Poles 60 Hz						A	
Scale 2 : 7							
HYBRISUSER						00	
ECM	LOC	SUMMARY OF MODIFICATIONS	EXECUTED	CHECKED	RELEASED	DATE	VER
EXECUTED	HYBRISUSER	SINGLE PH. MOTOR ROLLED STEEL JET PUMP THREADED PRELIMINARY					
CHECKED		FRAME W56J IP55 TEFC					
RELEASED							
REL. DATE							
			WDD	00			
			SHEET	1 / 1			

Dimensions in inches

A3