

DATA SHEET



Single Phase Induction Motor - Squirrel Cage

Customer :

Product line : W22 Single-Phase Product code : 14154360

Frame	: 213/5T	Locked rotor time	: 10s (cold) 6s (hot)
Output	: 10 HP (7.5 kW)	Temperature rise	: 80 K
Poles	: 4	Duty cycle	: Cont.(S1)
Frequency	: 60 Hz	Ambient temperature	: -20°C to +40°C
Rated voltage	: 208-230/460 V	Altitude	: 1000 m.a.s.l.
Rated current	: 44.5-40.8/20.4 A	Protection degree	: IP55
L. R. Amperes	: 298-273/137 A	Cooling method	: IC411 - TEFC
LRC	: 6.7x(Code G)	Mounting	: F-1
No load current	: 9.66-11.2/5.60 A	Rotation ¹	: Both (CW and CCW)
Rated speed	: 1740 rpm	Noise level ²	: 63.0 dB(A)
Slip	: 3.33 %	Starting method	: Direct On Line
Rated torque	: 4.17 kgfm	Approx. weight ³	: 87.0 kg
Locked rotor torque	: 260 %		
Breakdown torque	: 240 %		
Insulation class	: F		
Service factor	: 1.15		
Moment of inertia (J)	: 0.0486 kgm ²		

Output	50%	75%	100%	Foundation loads	
Efficiency (%)	77.9	82.5	84.0	Max. traction	: 141 kgf
Power Factor	0.92	0.94	0.95	Max. compression	: 228 kgf

	Drive end	Non drive end
Bearing type	: 6308 ZZ	: 6206 ZZ
Sealing	: V'Ring	: V'Ring
Lubrication interval	: -	: -
Lubricant amount	: -	: -
Lubricant type	: Mobil Polyrex EM	

Notes

This revision replaces and cancel the previous one, which must be eliminated.

- (1) Looking the motor from the shaft end.
- (2) Measured at 1m and with tolerance of +3dB(A).
- (3) Approximate weight subject to changes after manufacturing process.
- (4) At 100% of full load.

These are average values based on tests with sinusoidal power supply, subject to the tolerances stipulated in NEMA MG-1.

Rev.	Changes Summary	Performed	Checked	Date
Performed by				
Checked by			Page	Revision
Date	27/10/2024		1 / 2	

LOAD PERFORMANCE CURVE

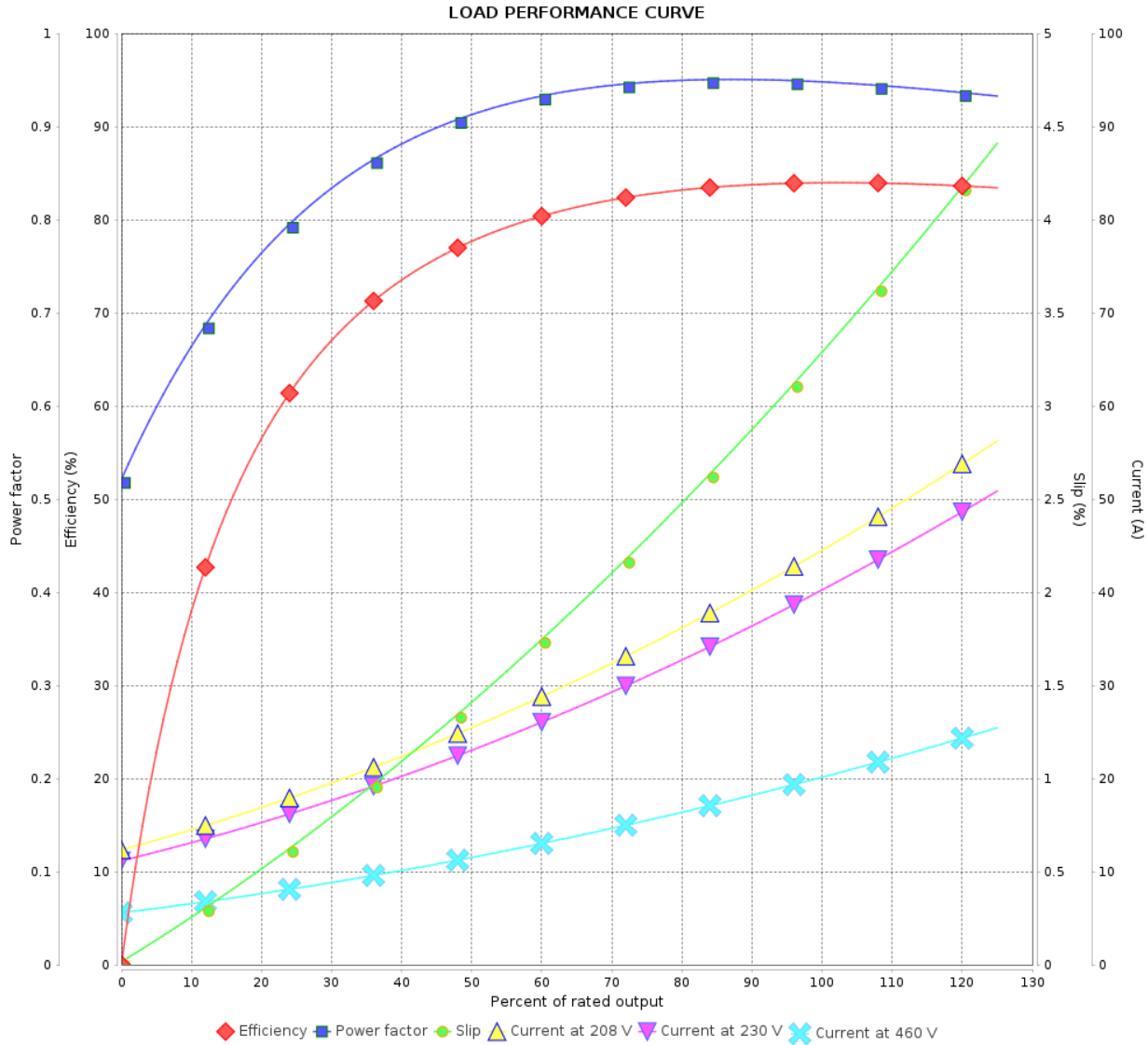
Single Phase Induction Motor - Squirrel Cage



Customer :

Product line : W22 Single-Phase

Product code : 14154360



Performance : 208-230/460 V 60 Hz 4P

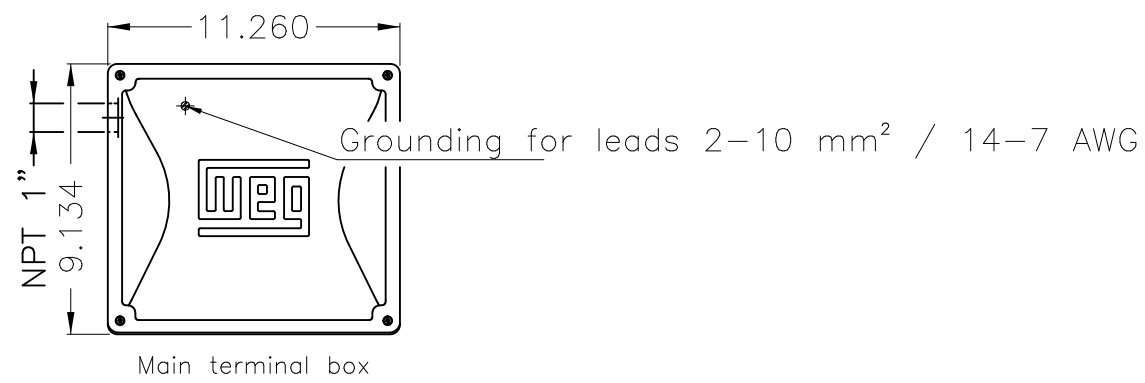
Rated current : 44.5-40.8/20.4 A
 LRC : 6.7
 Rated torque : 4.17 kgfm
 Locked rotor torque : 260 %
 Breakdown torque : 240 %
 Rated speed : 1740 rpm

Moment of inertia (J) : 0.0486 kgm²
 Duty cycle : Cont.(S1)
 Insulation class : F
 Service factor :
 Temperature rise : 80 K

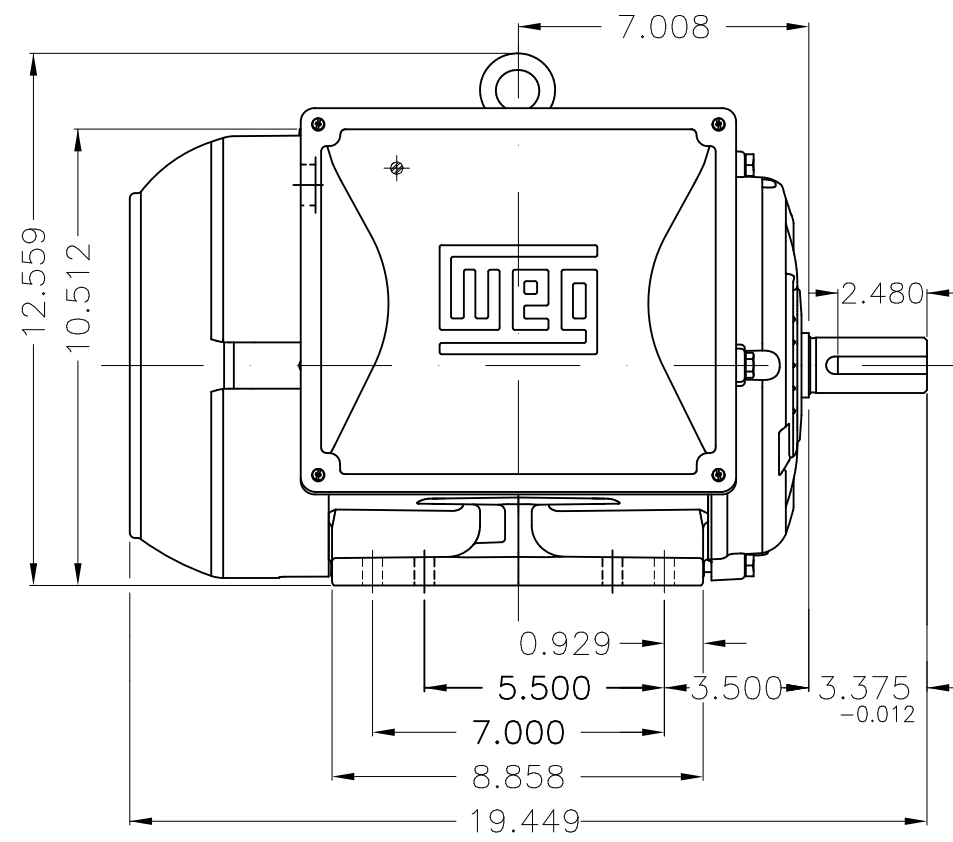
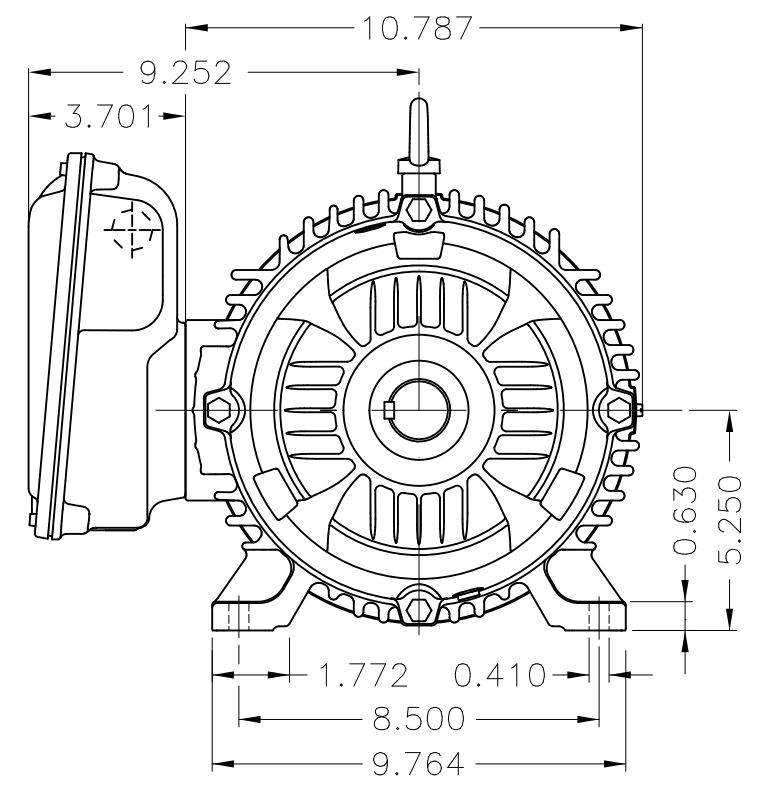
Rev.	Changes Summary	Performed	Checked	Date
Performed by			Page 2 / 2	Revision
Checked by				
Date	27/10/2024			

1 2 3 4 5 6

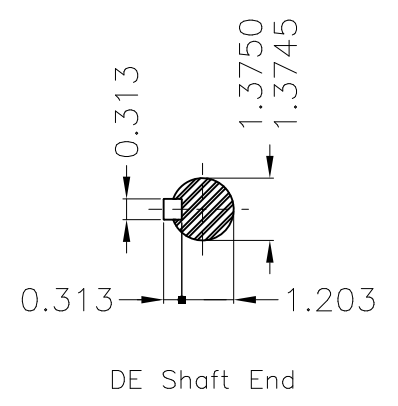
A



B



C



D

E

Mounting NEMA F-1					
Mounting B3R(D)					
				HYBRISUSER	00
ECM	LOC	SUMMARY OF MODIFICATIONS		EXECUTED	CHECKED
EXECUTED	HYBRISUSER	SINGLE PH. MOTOR W22			
CHECKED		FRAME 213/5T IP55 TEFC			
RELEASED					
REL. DATE		WMO	Jaragua do Sul	Product Engineering	
				PREVIEW	
				WDD	00
				SHEET 1 / 1	

10 HP 04 Poles 60 Hz

A

