

DATA SHEET

Single Phase Induction Motor - Squirrel Cage



| | | | | |
|---|---|---|---------|----------|
| Customer | : | | | |
| Product line | : Jet Pump - C type Single-Phase | Product code : 14212763 | | |
| Frame | : W56C | Cooling method : IC01 - ODP | | |
| Insulation class | : F | Mounting : F-1 | | |
| Duty cycle | : Cont.(S1) | Rotation ¹ : CCW | | |
| Ambient temperature | : -20°C to +40°C | Starting method : Direct On Line | | |
| Altitude | : 1000 m.a.s.l. | Approx. weight ³ : 7.9 kg | | |
| Design | : N | Moment of inertia (J) : 0.0008 kgm ² | | |
| Output [HP] | | 0.33 | | |
| Poles | | 2 | | |
| Frequency [Hz] | | 60 | | |
| Rated voltage [V] | | 115/208-230 | | |
| Rated current [A] | | 5.00/2.76-2.50 | | |
| L. R. Amperes [A] | | 37.0/20.4-18.5 | | |
| LRC [A] | | 7.4x(Code P) | | |
| No load current [A] | | 3.40/1.47-1.70 | | |
| Rated speed [RPM] | | 3500 | | |
| Slip [%] | | 2.78 | | |
| Rated torque [kgfm] | | 0.068 | | |
| Locked rotor torque [%] | | 300 | | |
| Breakdown torque [%] | | 300 | | |
| Service factor | | | | |
| Temperature rise | | 80 K | | |
| Locked rotor time | | 14s (cold) 8s (hot) | | |
| Noise level ² | | 56.0 dB(A) | | |
| Efficiency (%) | 25% | | | |
| | 50% | 49.0 | | |
| | 75% | 56.0 | | |
| | 100% | 59.0 | | |
| Power Factor | 25% | | | |
| | 50% | 0.57 | | |
| | 75% | 0.66 | | |
| | 100% | 0.74 | | |
| Bearing type | : <u>Drive end</u> 6203 2RS <u>Non drive end</u> 6202 2RS | Foundation loads | | |
| Sealing | : Without Bearing Seal Without Bearing Seal | Max. traction : 2 kgf | | |
| Lubrication interval | : - - | Max. compression : 10 kgf | | |
| Lubricant amount | : - - | | | |
| Lubricant type | : Mobil Polyrex EM | | | |
| Notes | | | | |
| <p>This revision replaces and cancel the previous one, which must be eliminated.</p> <p>(1) Looking the motor from the shaft end.</p> <p>(2) Measured at 1m and with tolerance of +3dB(A).</p> <p>(3) Approximate weight subject to changes after manufacturing process.</p> <p>(4) At 100% of full load.</p> | | <p>These are average values based on tests with sinusoidal power supply, subject to the tolerances stipulated in NEMA MG-1.</p> | | |
| Rev. | Changes Summary | Performed | Checked | Date |
| Performed by | | | | |
| Checked by | | | Page | Revision |
| Date | 17/05/2022 | | 1 / 2 | |

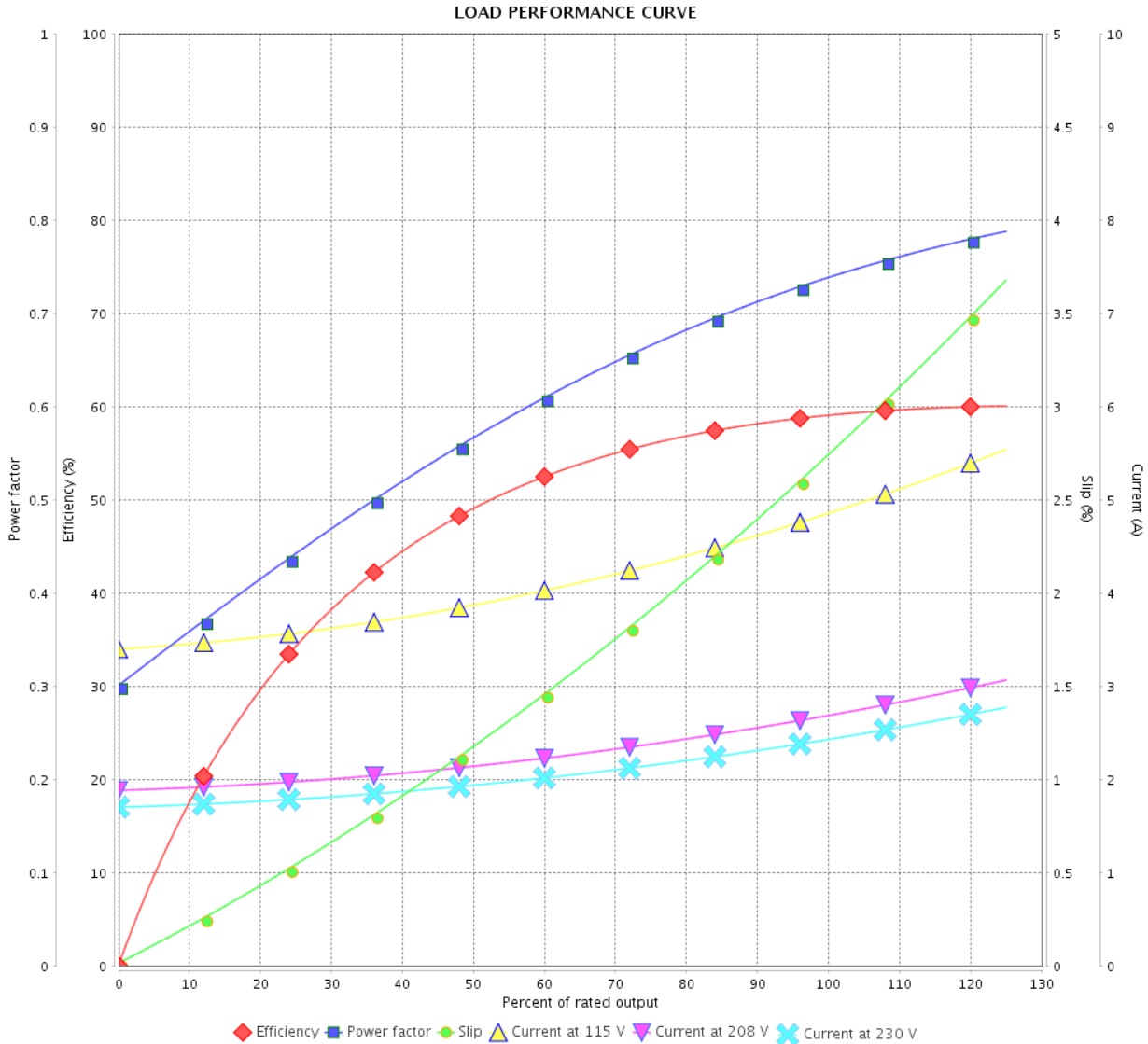
LOAD PERFORMANCE CURVE

Single Phase Induction Motor - Squirrel Cage



Customer :

Product line : Jet Pump - C type Single-Phase Product code : 14212763



Performance : 115/208-230 V 60 Hz 2P

Rated current : 5.00/2.76-2.50 A
 LRC : 7.4
 Rated torque : 0.068 kgfm
 Locked rotor torque : 300 %
 Breakdown torque : 300 %
 Rated speed : 3500 rpm

Moment of inertia (J) : 0.0008 kgm²
 Duty cycle : Cont.(S1)
 Insulation class : F
 Service factor :
 Temperature rise : 80 K
 Design : N

| Rev. | Changes Summary | Performed | Checked | Date |
|--------------|-----------------|-----------|---------------|----------|
| | | | | |
| Performed by | | | Page 2 / 2 | Revision |
| Checked by | | | | |
| Date | 17/05/2022 | | | |

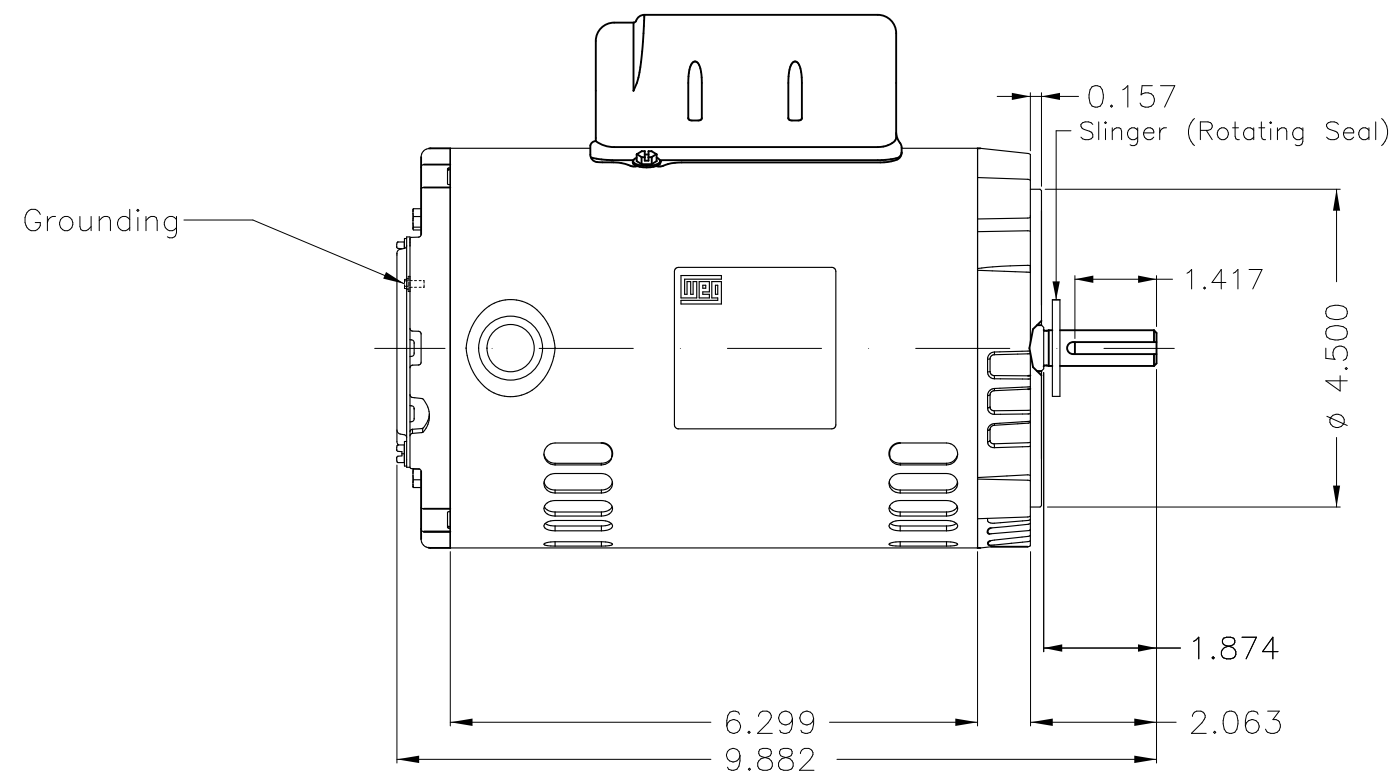
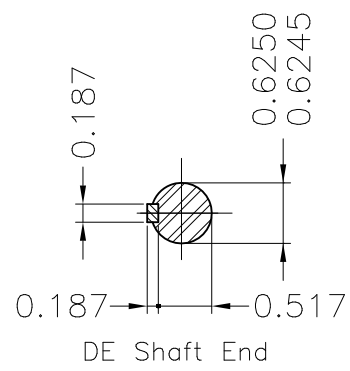
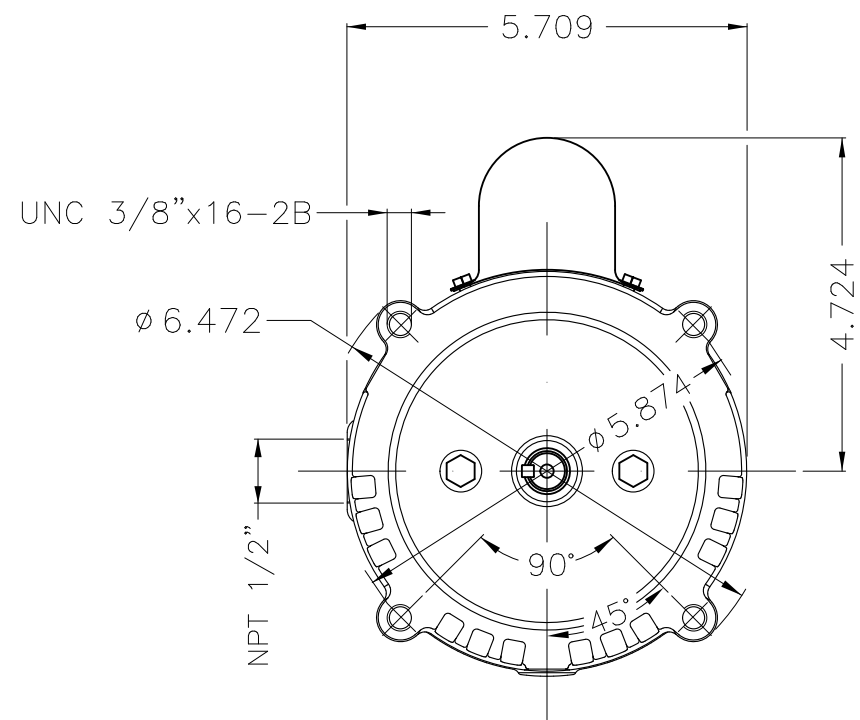
A

B

C

D

E



Color Munsell N 1 matte black
 Painting plan 207N
 Mounting F-1/B14R(D)

| | | | | | | | | | | | | | | | | |
|-----------|------------|--|----------------|---------------------|--|------------|---------|----------|------|-----|--|---------|--|-------|--|--|
| | | | | | | HYBRISUSER | | | | | | | | 00 | | |
| ECM | LOC | SUMMARY OF MODIFICATIONS | | | | EXECUTED | CHECKED | RELEASED | DATE | VER | | | | | | |
| EXECUTED | HYBRISUSER | SINGLE PH. MOTOR ROLLED STEEL JET PUMP KEYED | | | | | | | | | | PREVIEW | | | | |
| CHECKED | | FRAME W56C IP21 ODP | | | | | | | | | | WDD | | 00 | | |
| RELEASED | | | | | | | | | | | | SHEET | | 1 / 1 | | |
| REL. DATE | | WMO | Jaragua do Sul | Product Engineering | | | | | | | | | | | | |

0.33 HP 02 Poles 60 Hz

A

