

# DATA SHEET



## Single Phase Induction Motor - Squirrel Cage

Customer :

Product line : W22 Single-Phase Product code : 15268028

|                       |                           |                             |                       |
|-----------------------|---------------------------|-----------------------------|-----------------------|
| Frame                 | : 213/5TC                 | Locked rotor time           | : 10s (cold) 6s (hot) |
| Output                | : 7.5 HP (5.5 kW)         | Temperature rise            | : 80 K                |
| Frequency             | : 60 Hz                   | Duty cycle                  | : Cont.(S1)           |
| Rated voltage         | : 208-230/460 V           | Ambient temperature         | : -20°C to +40°C      |
| Poles                 | : 4                       | Altitude                    | : 1000 m.a.s.l.       |
| Rated current         | : 32.0-30.0/15.0 A        | Protection degree           | : IP55                |
|                       | : 7.7x(Code H)            | Cooling method              | : IC411 - TEFC        |
| Rated speed           | : 1750 rpm                | Mounting                    | : F-1                 |
| Rated torque          | : 3.11 kgfm               | Rotation <sup>1</sup>       | : Both (CW and CCW)   |
| Insulation class      | : F                       | Noise level <sup>2</sup>    | : 63.0 dB(A)          |
| Service factor        | : 1.15                    | Starting method             | : Direct On Line      |
| Moment of inertia (J) | : 0.0457 kgm <sup>2</sup> | Approx. weight <sup>3</sup> | : 82.5 kg             |

|                |      |      |      |                  |           |
|----------------|------|------|------|------------------|-----------|
| Output         | 50%  | 75%  | 100% | Foundation loads |           |
| Efficiency (%) | 75.6 | 81.0 | 83.0 | Max. traction    | : 102 kgf |
| Power Factor   | 0.91 | 0.94 | 0.96 | Max. compression | : 185 kgf |

|                      | Drive end | Non drive end |
|----------------------|-----------|---------------|
| Bearing type         | : 6308 ZZ | : 6206 ZZ     |
| Sealing              | : V'Ring  | : V'Ring      |
| Lubrication interval | : -       | : -           |
| Lubricant amount     | : -       | : -           |
| Lubricant type       | : 00088   |               |

### Notes

This revision replaces and cancel the previous one, which must be eliminated.

- (1) Looking the motor from the shaft end.
- (2) Measured at 1m and with tolerance of +3dB(A).
- (3) Approximate weight subject to changes after manufacturing process.
- (4) At 100% of full load.

These are average values based on tests with sinusoidal power supply, subject to the tolerances stipulated in NEMA MG-1.

| Rev.         | Changes Summary | Performed | Checked | Date     |
|--------------|-----------------|-----------|---------|----------|
|              |                 |           |         |          |
| Performed by |                 |           |         |          |
| Checked by   |                 |           | Page    | Revision |
| Date         | 29/05/2026      |           | 1 / 2   |          |

# LOAD PERFORMANCE CURVE

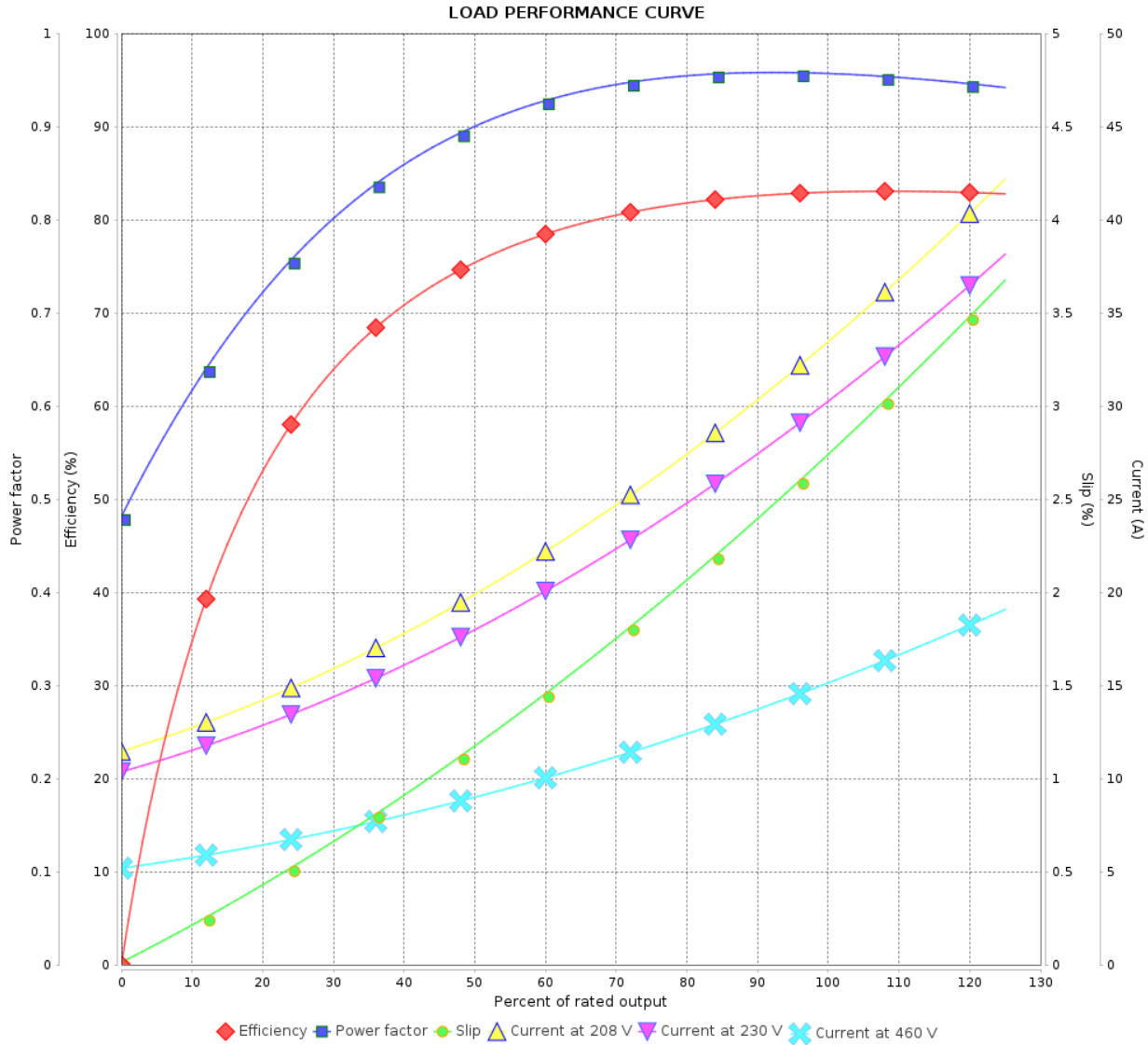
Single Phase Induction Motor - Squirrel Cage



Customer : \_\_\_\_\_

Product line : W22 Single-Phase

Product code : 15268028

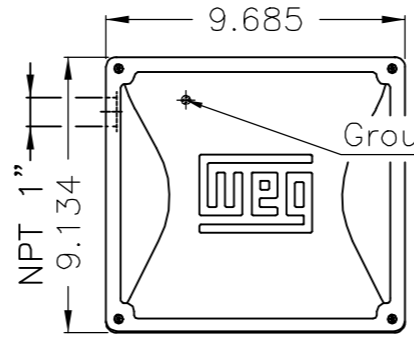


| Rev.         | Changes Summary | Performed     | Checked | Date     |
|--------------|-----------------|---------------|---------|----------|
|              |                 |               |         |          |
| Performed by |                 | Page<br>2 / 2 |         | Revision |
| Checked by   |                 |               |         |          |
| Date         |                 |               |         |          |

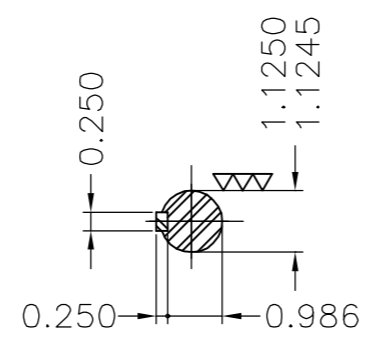
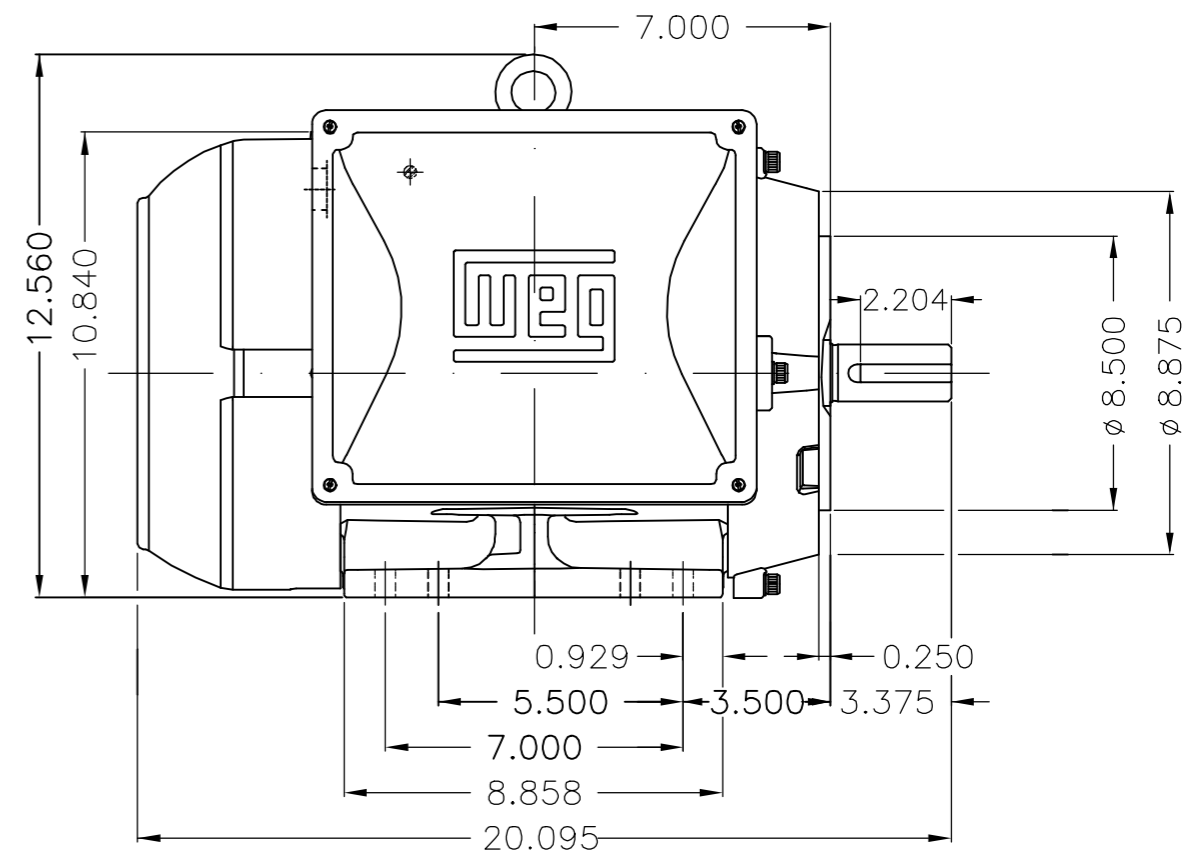
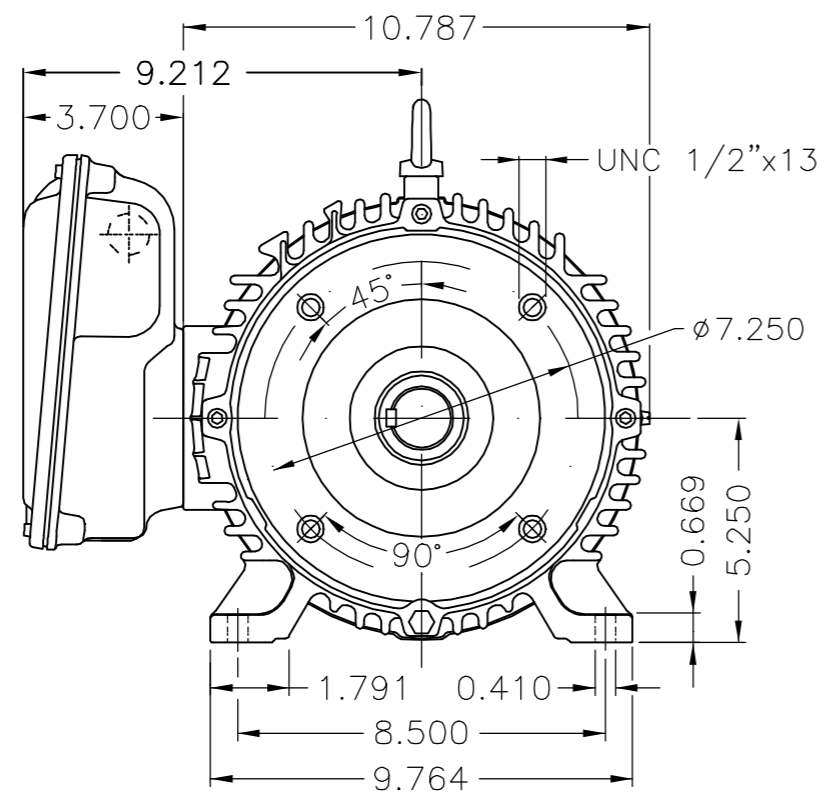
|                   |   |
|-------------------|---|
| EIXO/SHAFT        |   |
| PADRÃO/STANDARD   |   |
| OPCIONAL/OPTIONAL |   |
| ESPECIAL/SPECIAL  | X |

Dimensões em polegadas  
Dimensions in inches

THIS IS AN UPDATED REVISION, THE PREVIOUS ONE MUST BE DISREGARDED.



Main terminal box



De Shaft End

|   |            |                          |                             |                     |             |       |
|---|------------|--------------------------|-----------------------------|---------------------|-------------|-------|
| Forma construtiva B34D / Mounting B34R(D) |            |                          |                             |                     |             |       |
| <b>WEG EQUIPAMENTOS ELETRICOS S/A</b>     |            |                          |                             |                     |             |       |
| 500001329649                              |            | DOCUMENTO NOVO           | JOHNLENONN                  | RUBENFSM            | 10.07.2017  | 00    |
| ECM                                       | LOC        | RESUMO MODIFICAÇÃO       | EXECUTADO                   | VERIFICADO          | LIBERADO    | DATA  |
| ECM                                       | LOC        | SUMMARY OF MODIFICATIONS | EXECUTED                    | CHECKED             | RELEASED    | DATE  |
| EXEC. /EXECUTED                           | JOHNLENONN |                          | SINGLE PHASE MOTOR W22 NEMA |                     | 10005036256 |       |
| VERIF. /CHECKED                           |            |                          | FRAME 213/5TC IP55 TEFC     |                     | 000   00    |       |
| LIBER. /RELEASED                          | RUBENFSM   |                          |                             |                     |             |       |
| DATA LB /REL DT                           | 10.07.2017 | WMO                      | Jaraguá do Sul              | Product Engineering | FOLHA/SHEET | 1 / 1 |

7.5 HP 04 Poles 60Hz 414708848

UNCONTROLLED COPY RELEASED ZME A3