

# DATA SHEET



## Single Phase Induction Motor - Squirrel Cage

Customer :

Product line : W22 JM Pump Single-Phase Product code : 14184349

Frame	: 213/5JM	Locked rotor time	: 14s (cold) 8s (hot)
Output	: 10 HP (7.5 kW)	Temperature rise	: 80 K
Poles	: 2	Duty cycle	: Cont.(S1)
Frequency	: 60 Hz	Ambient temperature	: -20°C to +40°C
Rated voltage	: 208-230/460 V	Altitude	: 1000 m.a.s.l.
Rated current	: 41.8-38.8/19.4 A	Protection degree	: IP55
L. R. Amperes	: 293-272/136 A	Cooling method	: IC411 - TEFC
LRC	: 7.0x(Code G)	Mounting	: F-1
No load current	: 5.95-6.90/3.45 A	Rotation <sup>1</sup>	: Both (CW and CCW)
Rated speed	: 3515 rpm	Noise level <sup>2</sup>	: 72.0 dB(A)
Slip	: 2.36 %	Starting method	: Direct On Line
Rated torque	: 2.06 kgfm	Approx. weight <sup>3</sup>	: 77.5 kg
Locked rotor torque	: 229 %		
Breakdown torque	: 290 %		
Insulation class	: F		
Service factor	: 1.15		
Moment of inertia (J)	: 0.0223 kgm <sup>2</sup>		

Output	50%	75%	100%	Foundation loads	
Efficiency (%)	82.0	85.5	86.5	Max. traction	: 72 kgf
Power Factor	0.96	0.97	0.97	Max. compression	: 149 kgf

		<u>Drive end</u>	<u>Non drive end</u>
Bearing type	:	6309 ZZ C3	6206 ZZ
Sealing	:	V'Ring	V'Ring
Lubrication interval	:	-	-
Lubricant amount	:	-	-
Lubricant type	:	Mobil Polyrex EM	

### Notes

This revision replaces and cancel the previous one, which must be eliminated.

- (1) Looking the motor from the shaft end.
- (2) Measured at 1m and with tolerance of +3dB(A).
- (3) Approximate weight subject to changes after manufacturing process.
- (4) At 100% of full load.

These are average values based on tests with sinusoidal power supply, subject to the tolerances stipulated in NEMA MG-1.

Rev.	Changes Summary	Performed	Checked	Date
Performed by				
Checked by			Page	Revision
Date	27/10/2024		1 / 2	

# LOAD PERFORMANCE CURVE

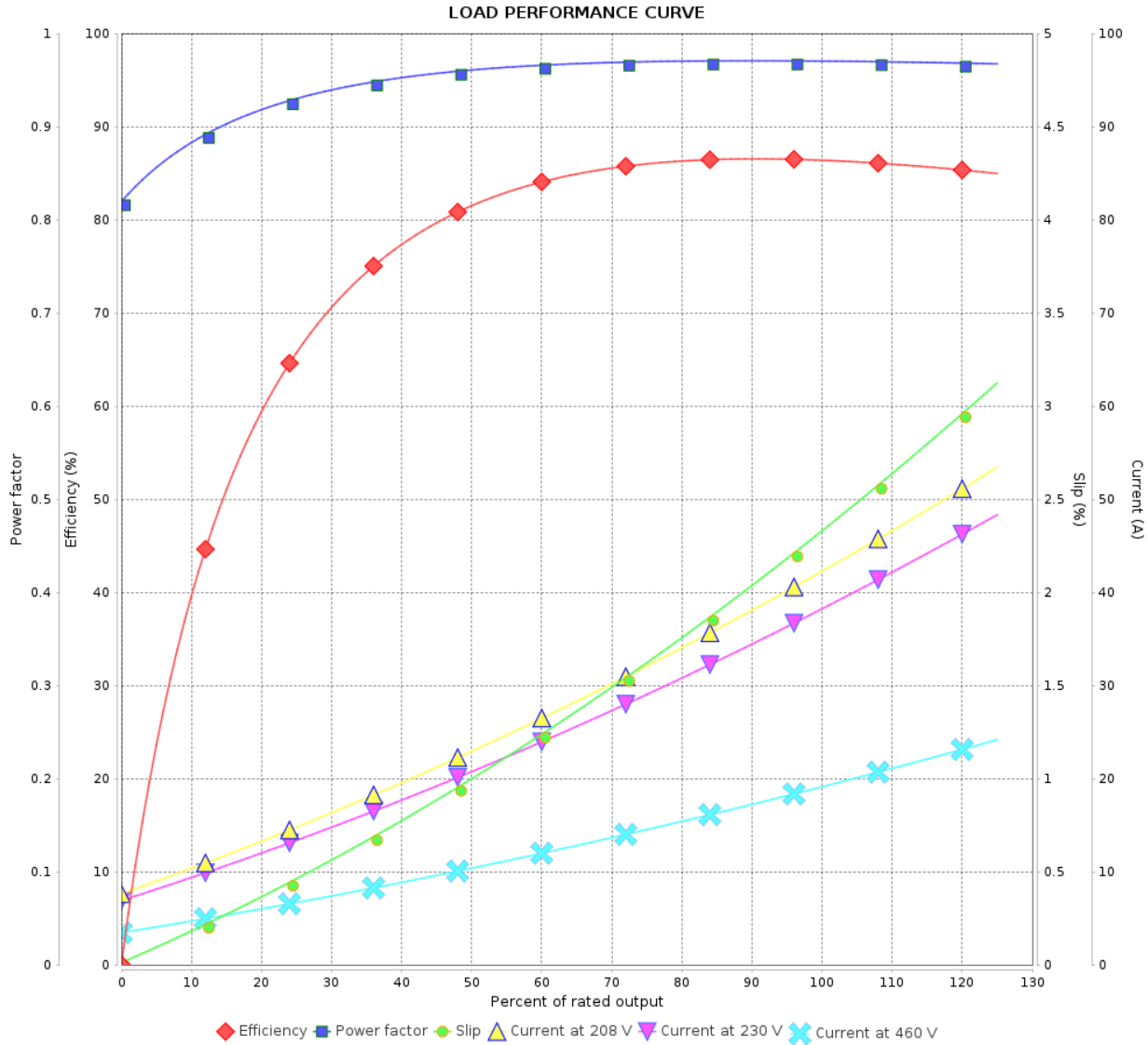
Single Phase Induction Motor - Squirrel Cage



Customer :

Product line : W22 JM Pump Single-Phase

Product code : 14184349



Performance : 208-230/460 V 60 Hz 2P

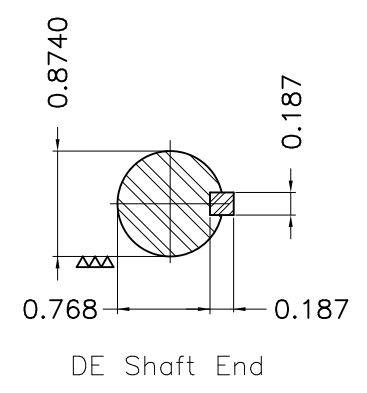
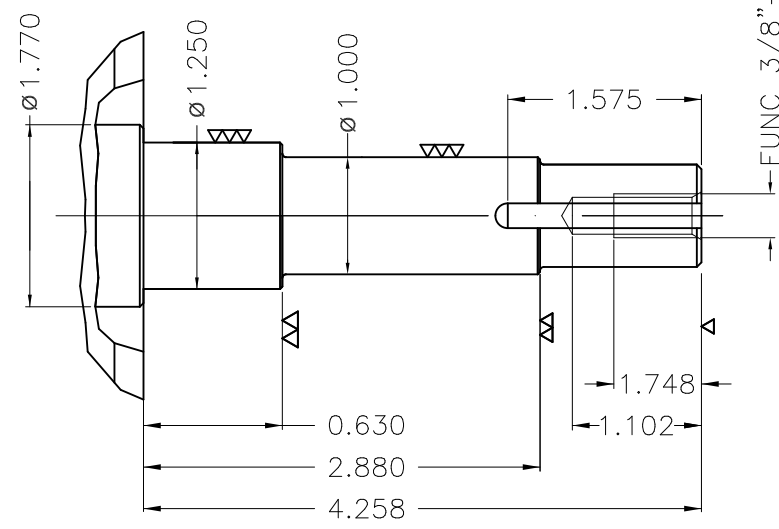
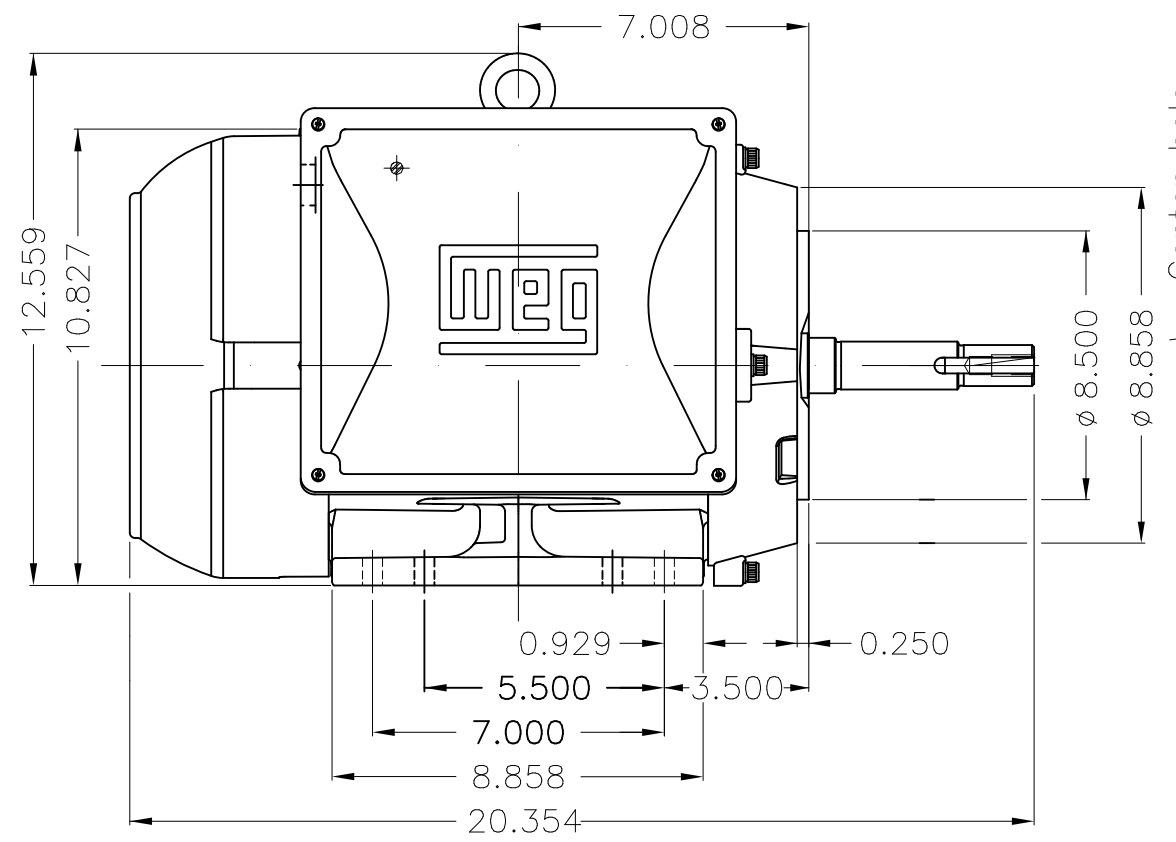
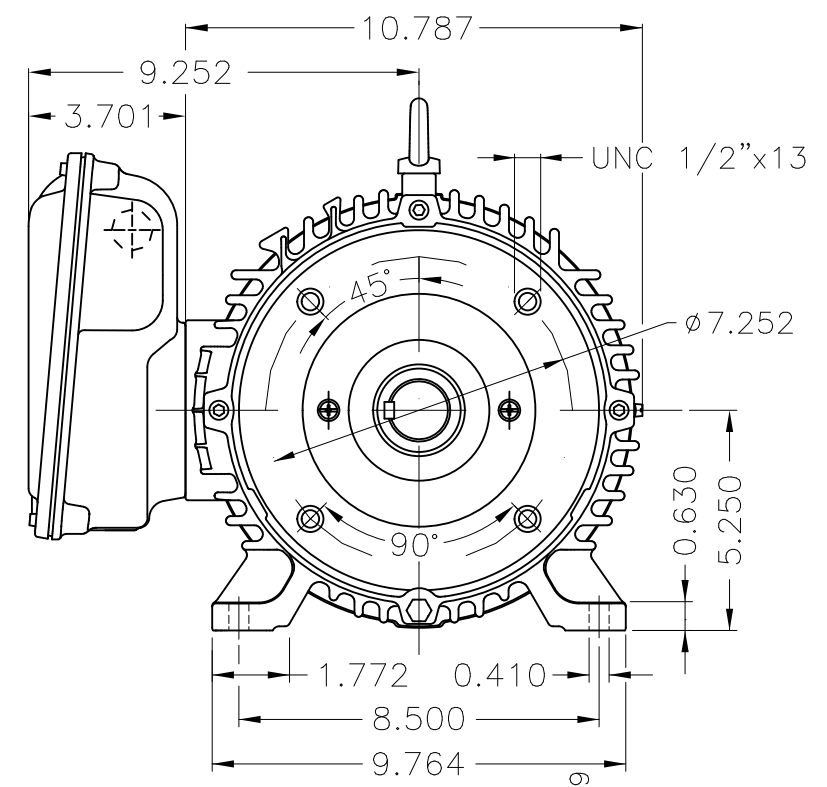
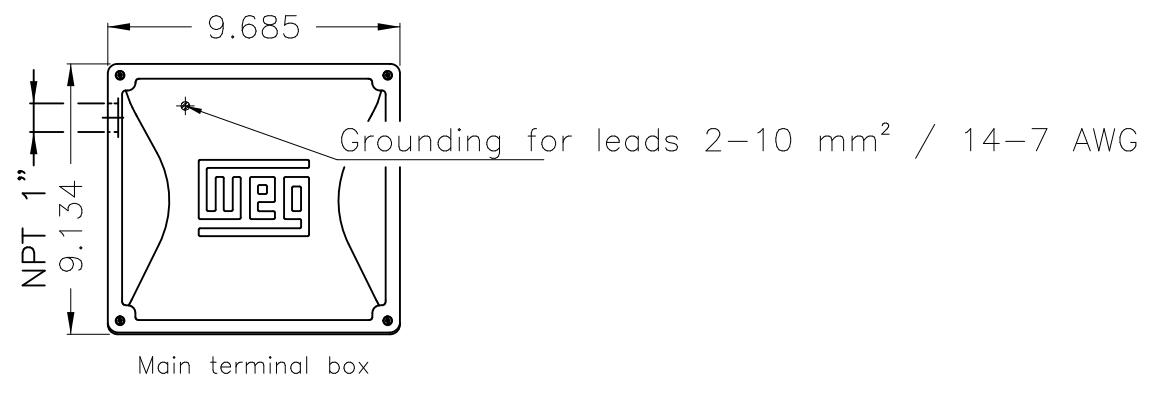
Rated current : 41.8-38.8/19.4 A  
 LRC : 7.0  
 Rated torque : 2.06 kgfm  
 Locked rotor torque : 229 %  
 Breakdown torque : 290 %  
 Rated speed : 3515 rpm

Moment of inertia (J) : 0.0223 kgm<sup>2</sup>  
 Duty cycle : Cont.(S1)  
 Insulation class : F  
 Service factor :  
 Temperature rise : 80 K

Rev.	Changes Summary	Performed	Checked	Date
Performed by			Page 2 / 2	Revision
Checked by				
Date	27/10/2024			

1 2 3 4 5 6

A  
B  
C  
D  
E



Mounting NEMA F-1						
Mounting B34R(D)						
				HYBRISUSER		00
ECM	LOC	SUMMARY OF MODIFICATIONS		EXECUTED	CHECKED	RELEASED
EXECUTED	HYBRISUSER	SINGLE PH. MOTOR W22 CLOSE COUPLED PUMP JM TYPE				
CHECKED		FRAME 213/5JM IP55 TEFC				
RELEASED						
REL. DATE		WMO	Jaragua do Sul	Product Engineering	WDD	00
				SHEET	1 / 1	

10 HP 02 Poles 60 Hz



Dimensions in inches XME A3