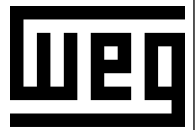


# DATA SHEET

## Three Phase Induction Motor - Squirrel Cage



Customer :

Product line : Saw Arbor Motor Standard Efficiency Three-Phase Product code : 14212884

Frame	: 80L/MS	Locked rotor time	: 9s (cold) 5s (hot)
Output	: 7.5 HP (5.5 kW)	Temperature rise	: 80 K
Poles	: 2	Duty cycle	: S6
Frequency	: 60 Hz	Ambient temperature	: -20°C to +40°C
Rated voltage	: 575 V	Altitude	: 1000 m.a.s.l.
Rated current	: 7.81 A	Protection degree	: IP54
L. R. Amperes	: 71.8 A	Cooling method	: IC411 - TEFC
LRC	: 9.2	Mounting	: B3R(D)
No load current	: 3.52 A	Rotation <sup>1</sup>	: CW
Rated speed	: 3490 rpm	Noise level <sup>2</sup>	: 62.0 dB(A)
Slip	: 3.06 %	Starting method	: Direct On Line
Rated torque	: 1.56 kgfm	Approx. weight <sup>3</sup>	: 55.4 kg
Locked rotor torque	: 400 %		
Breakdown torque	: 459 %		
Insulation class	: F		
Service factor	: 1.15		
Moment of inertia (J)	: 0.0061 kgm <sup>2</sup>		
Design	: N		

Output	50%	75%	100%	Foundation loads	
Efficiency (%)	85.2	87.0	87.4	Max. traction	: 123 kgf
Power Factor	0.64	0.75	0.81	Max. compression	: 178 kgf

		<u>Drive end</u>	<u>Non drive end</u>
Bearing type	:	6307 ZZ	6207 ZZ
Sealing	:	Without Bearing Seal	Without Bearing Seal
Lubrication interval	:	-	-
Lubricant amount	:	-	-
Lubricant type	:	Mobil Polyrex EM	

Notes

This revision replaces and cancel the previous one, which must be eliminated.

- (1) Looking the motor from the shaft end.
- (2) Measured at 1m and with tolerance of +3dB(A).
- (3) Approximate weight subject to changes after manufacturing process.
- (4) At 100% of full load.

These are average values based on tests with sinusoidal power supply, subject to the tolerances stipulated in NEMA MG-1.

Rev.	Changes Summary		Performed	Checked	Date
Performed by				Page 1 / 2	Revision
Checked by					
Date	27/10/2024				

# LOAD PERFORMANCE CURVE

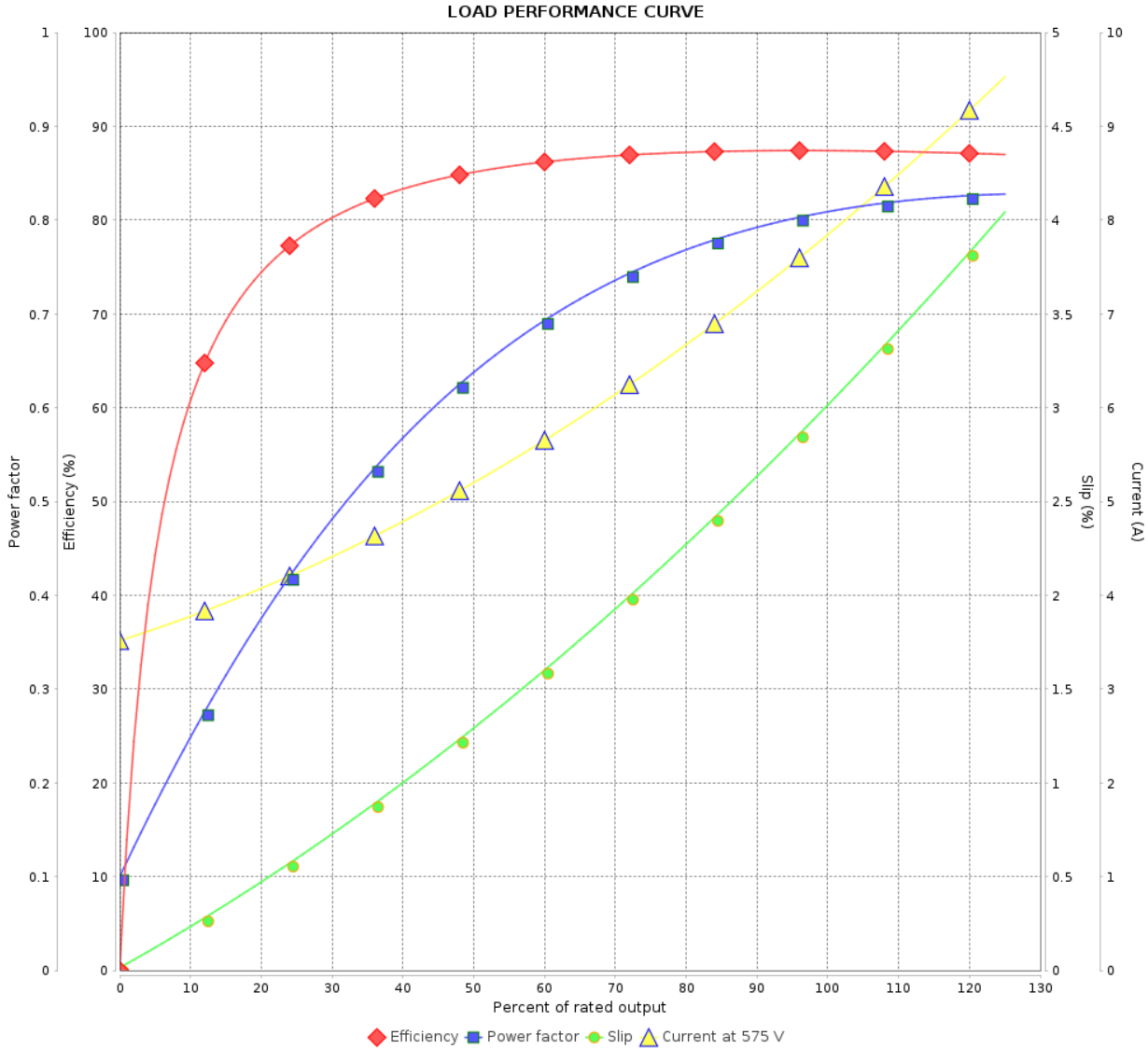
Three Phase Induction Motor - Squirrel Cage



Customer : \_\_\_\_\_

Product line : Saw Arbor Motor Standard  
Efficiency Three-Phase

Product code : 14212884

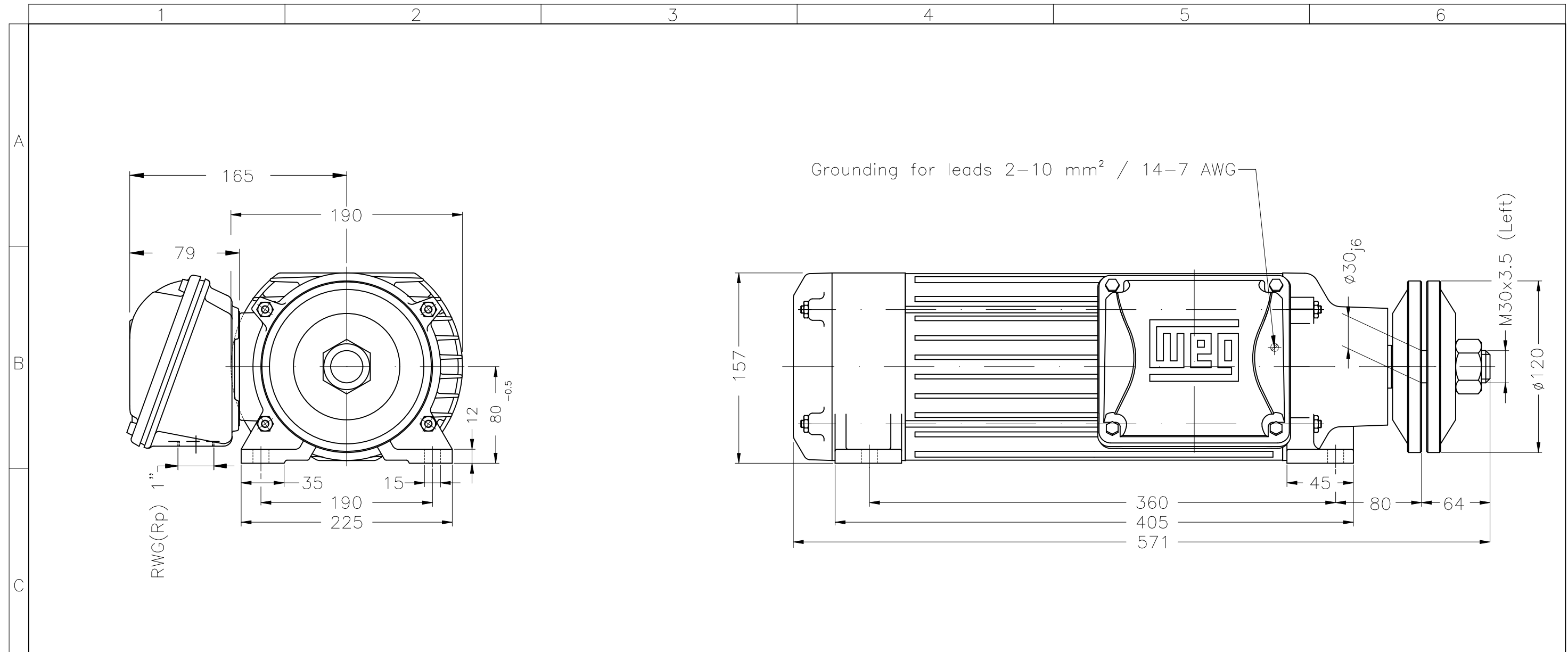


Performance : 575 V 60 Hz 2P

Rated current : 7.81 A  
 LRC : 9.2  
 Rated torque : 1.56 kgfm  
 Locked rotor torque : 400 %  
 Breakdown torque : 459 %  
 Rated speed : 3490 rpm

Moment of inertia (J) : 0.0061 kgm<sup>2</sup>  
 Duty cycle : S6  
 Insulation class : F  
 Service factor : 1.15  
 Temperature rise : 80 K  
 Design : N

Rev.	Changes Summary	Performed	Checked	Date
Performed by		Page		Revision
Checked by		2 / 2		
Date		27/10/2024		



E						7.5 HP 02 Poles 60 Hz	A	
							HYBRISUSER	00
	ECM	LOC	SUMMARY OF MODIFICATIONS	EXECUTED	CHECKED	RELEASED	DATE	VER
	EXECUTED	HYBRISUSER		THREE PH. MOTOR SAW ARBOR MOTOR		FRAME 80L/MS IP54 TEFC		PREVIEW
CHECKED						WDD   00		
RELEASED						SHEET   1 / 1		
REL. DATE		WMO		Jaragua do Sul	Product Engineering			
Color RAL 7022								XME A3
Painting plan 207A								Dimensions in mm
Mounting B3R(D)								WEG's property. Forbidden reproduction without previous authorization.