

DATA SHEET

Three Phase Induction Motor - Squirrel Cage



Customer					
Product line	: Standard Efficiency Three-Phase	Product code	: 14184469		
Frame	: W56C	Cooling method	: IC01 - ODP		
Insulation class	: F	Mounting	: F-1		
Duty cycle	: Cont.(S1)	Rotation ¹	: Both (CW and CCW)		
Ambient temperature	: -20°C to +40°C	Starting method	: Direct On Line		
Altitude	: 1000 m.a.s.l.	Approx. weight ³	: 6.6 kg		
		Moment of inertia (J)	: 0.0013 kgm ²		
Output [HP]	0.5				
Poles	4				
Frequency [Hz]	60				
Rated voltage [V]	575				
Rated current [A]	0.758				
L. R. Amperes [A]	4.10				
LRC [A]	5.4x(Code K)				
No load current [A]	0.656				
Rated speed [RPM]	1730				
Slip [%]	3.89				
Rated torque [kgfm]	0.210				
Locked rotor torque [%]	229				
Breakdown torque [%]	280				
Service factor	1.15				
Temperature rise	80 K				
Locked rotor time	27s (cold) 15s (hot)				
Noise level ²	50.0 dB(A)				
Efficiency (%)	25%				
	50%	59.5			
	75%	66.0			
	100%	70.0			
Power Factor	25%				
	50%	0.47			
	75%	0.60			
	100%	0.70			
Bearing type	: <u>Drive end</u> 6203 ZZ	<u>Non drive end</u> 6202 ZZ	Foundation loads		
Sealing	: Without	Without	Max. traction	: 15 kgf	
	Bearing Seal	Bearing Seal	Max. compression	: 22 kgf	
Lubrication interval	: -	-			
Lubricant amount	: -	-			
Lubricant type	: Mobil Polyrex EM				
Notes					
<p>This revision replaces and cancel the previous one, which must be eliminated.</p> <p>(1) Looking the motor from the shaft end.</p> <p>(2) Measured at 1m and with tolerance of +3dB(A).</p> <p>(3) Approximate weight subject to changes after manufacturing process.</p> <p>(4) At 100% of full load.</p>			<p>These are average values based on tests with sinusoidal power supply, subject to the tolerances stipulated in NEMA MG-1.</p>		
Rev.	Changes Summary		Performed	Checked	Date
Performed by					
Checked by				Page	Revision
Date	17/05/2022			1 / 2	

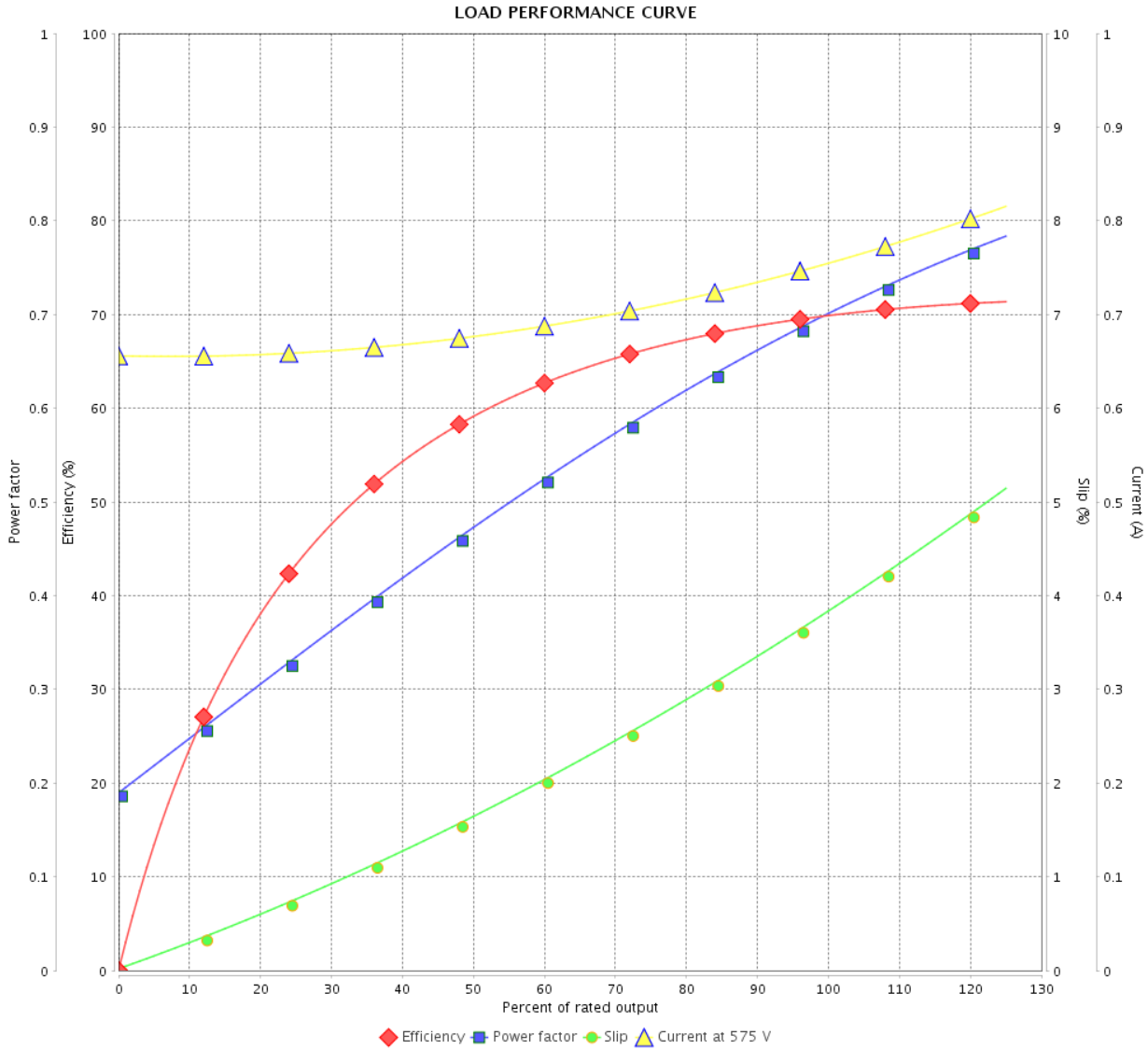
LOAD PERFORMANCE CURVE

Three Phase Induction Motor - Squirrel Cage



Customer : _____

Product line : Standard Efficiency Three-Phase Product code : 14184469



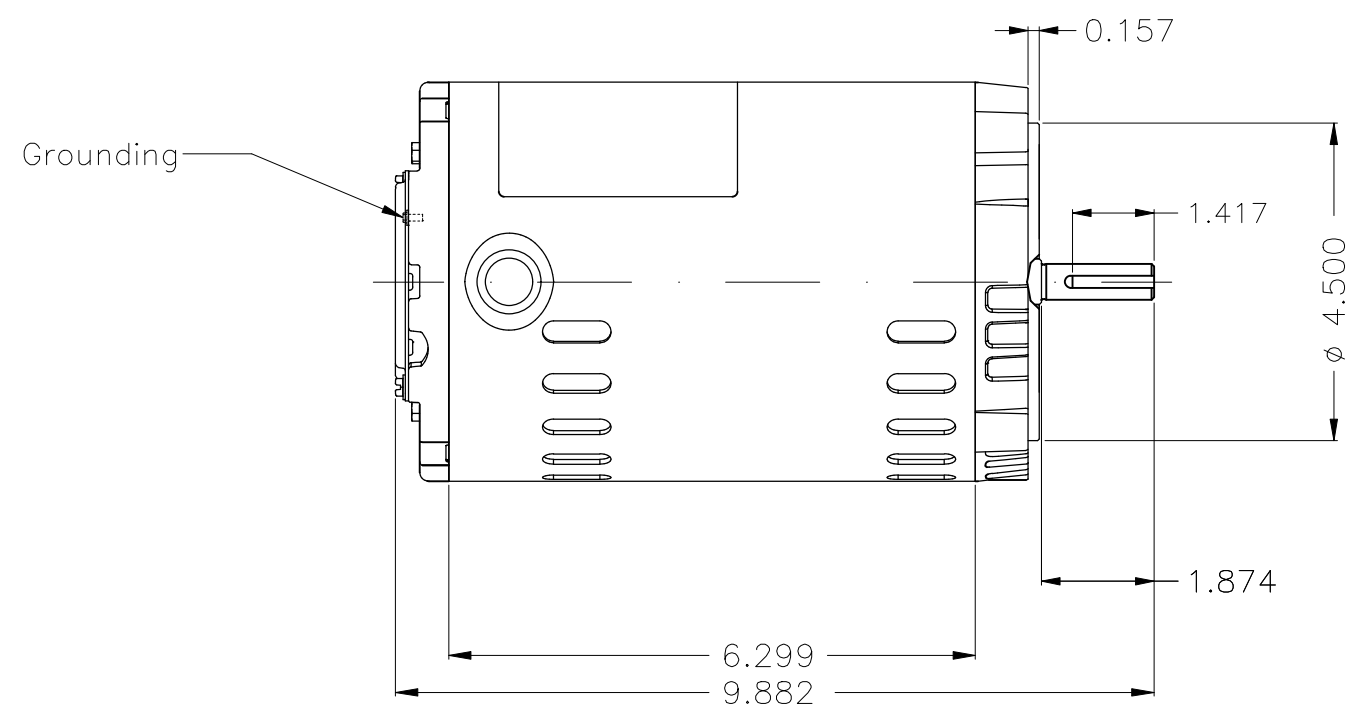
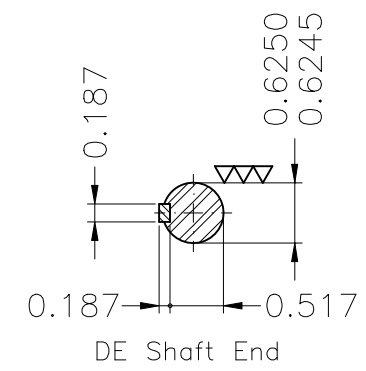
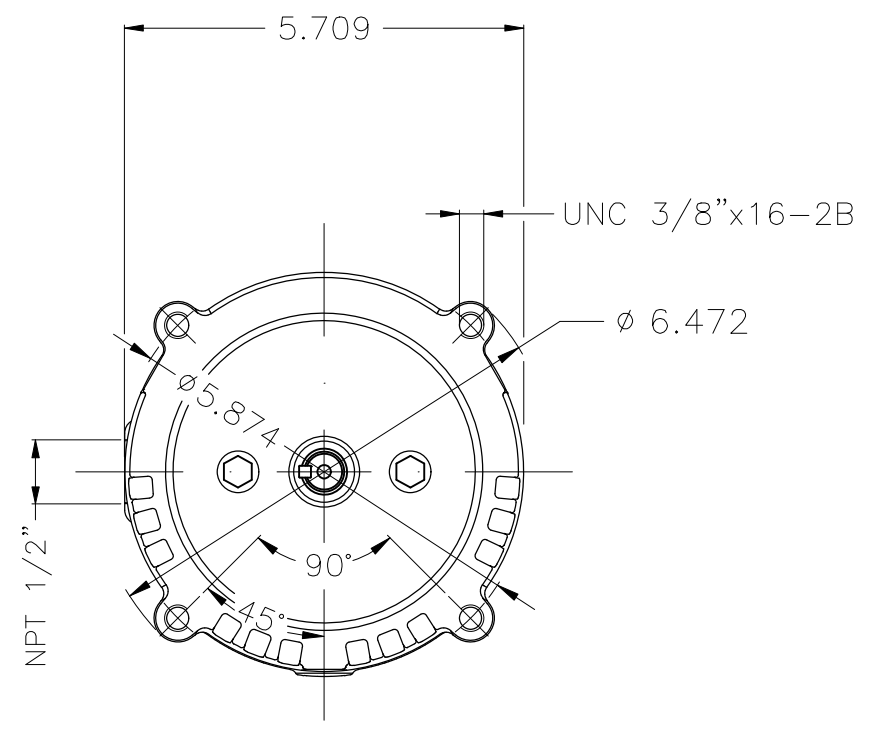
Performance : 575 V 60 Hz 4P

Rated current : 0.758 A
 LRC : 5.4
 Rated torque : 0.210 kgfm
 Locked rotor torque : 229 %
 Breakdown torque : 280 %
 Rated speed : 1730 rpm

Moment of inertia (J) : 0.0013 kgm²
 Duty cycle : Cont.(S1)
 Insulation class : F
 Service factor : 1.15
 Temperature rise : 80 K

Rev.	Changes Summary	Performed	Checked	Date
Performed by			Page	Revision
Checked by				
Date				

A
B
C
D
E



Color Munsell N 1 matte black
 Painting plan 207N
 Mounting F-1/B14R(D)

ECM	LOC	SUMMARY OF MODIFICATIONS	EXECUTED	CHECKED	RELEASED	DATE	VER
EXECUTED	HYBRISUSER	THREE PH. MOTOR ROLLED STEEL					
CHECKED		FRAME W56C IP21 ODP					
RELEASED							
REL. DATE	WMO	Jaragua do Sul	Product Engineering	HYBRISUSER			00

0.5 HP 04 Poles 60 Hz

A PREVIEW WDD 00 SHEET 1 / 1

