

DATA SHEET



Single Phase Induction Motor - Squirrel Cage

Customer :

Product line : W22 Single-Phase Product code : 14171841

Frame	: 213/5TZ	Locked rotor time	: 10s (cold) 6s (hot)
Output	: 7.5 HP (5.5 kW)	Temperature rise	: 80 K
Poles	: 4	Duty cycle	: Cont.(S1)
Frequency	: 60 Hz	Ambient temperature	: -20°C to +40°C
Rated voltage	: 208-230 V	Altitude	: 1000 m.a.s.l.
Rated current	: 33.0-31.7 A	Protection degree	: IP55
L. R. Amperes	: 254-244 A	Cooling method	: IC411 - TEFC
LRC	: 7.7x(Code J)	Mounting	: F-1
No load current	: 11.0-12.8 A	Rotation ¹	: Both (CW and CCW)
Rated speed	: 1750 rpm	Noise level ²	: 63.0 dB(A)
Slip	: 2.78 %	Starting method	: Direct On Line
Rated torque	: 3.11 kgfm	Approx. weight ³	: 81.7 kg
Locked rotor torque	: 370 %		
Breakdown torque	: 260 %		
Insulation class	: F		
Service factor	: 1.15		
Moment of inertia (J)	: 0.0457 kgm ²		

Output	50%	75%	100%	Foundation loads	
Efficiency (%)	75.6	81.0	83.0	Max. traction	: 108 kgf
Power Factor	0.82	0.88	0.91	Max. compression	: 190 kgf

	Drive end	Non drive end
Bearing type	: 6308 ZZ	: 6206 ZZ
Sealing	: V'Ring	: V'Ring
Lubrication interval	: -	: -
Lubricant amount	: -	: -
Lubricant type	: Mobil Polyrex EM	

Notes

This revision replaces and cancel the previous one, which must be eliminated.

- (1) Looking the motor from the shaft end.
- (2) Measured at 1m and with tolerance of +3dB(A).
- (3) Approximate weight subject to changes after manufacturing process.
- (4) At 100% of full load.

These are average values based on tests with sinusoidal power supply, subject to the tolerances stipulated in NEMA MG-1.

Rev.	Changes Summary	Performed	Checked	Date
Performed by				
Checked by			Page	Revision
Date	27/10/2024		1 / 2	

LOAD PERFORMANCE CURVE

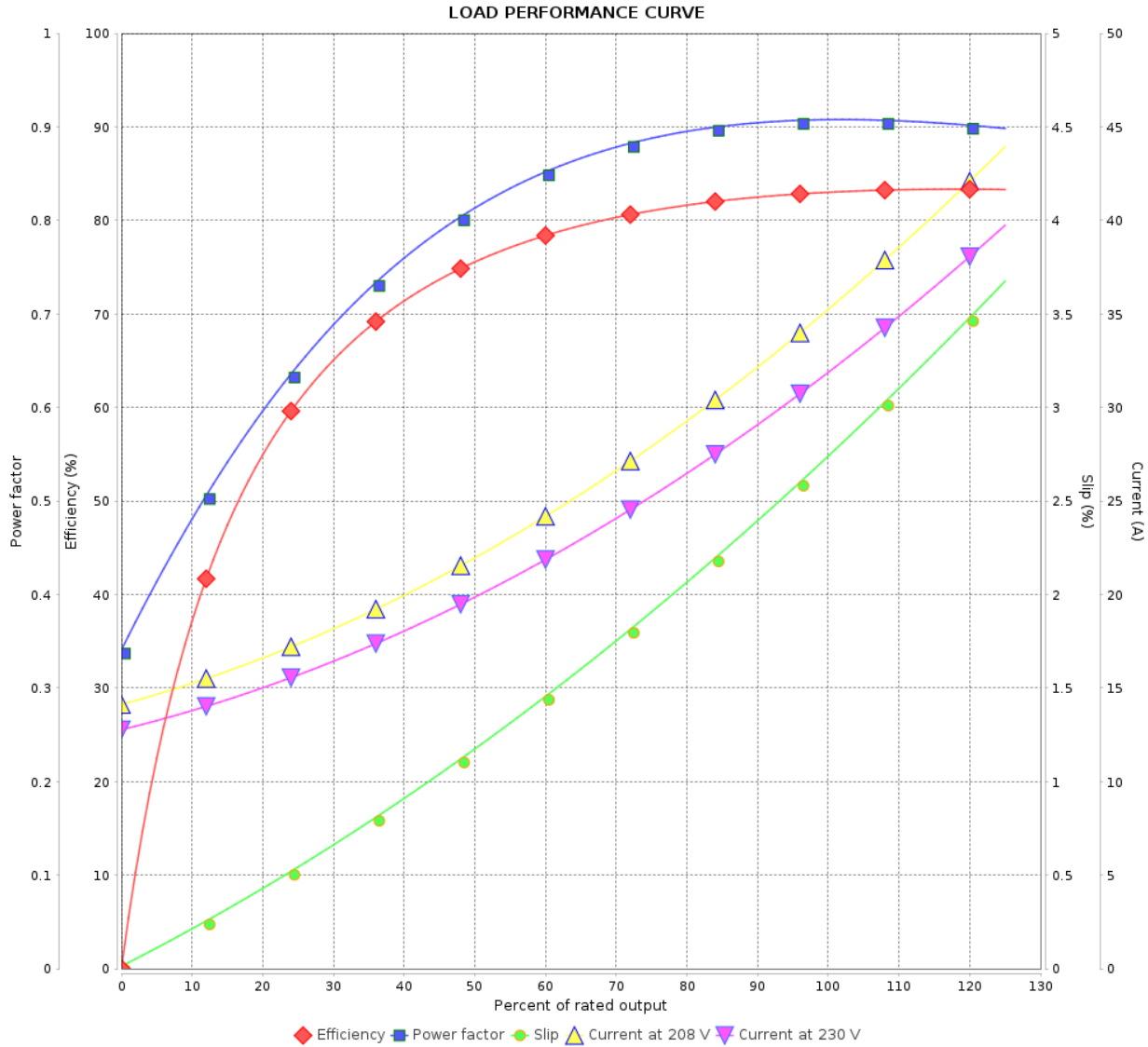
Single Phase Induction Motor - Squirrel Cage



Customer :

Product line : W22 Single-Phase

Product code : 14171841



Performance : 208-230 V 60 Hz 4P

Rated current : 33.0-31.7 A
 LRC : 7.7
 Rated torque : 3.11 kgfm
 Locked rotor torque : 370 %
 Breakdown torque : 260 %
 Rated speed : 1750 rpm

Moment of inertia (J) : 0.0457 kgm²
 Duty cycle : Cont.(S1)
 Insulation class : F
 Service factor :
 Temperature rise : 80 K

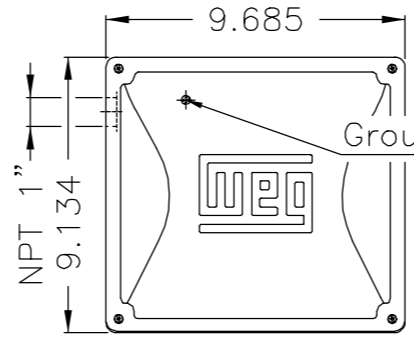
Rev.	Changes Summary	Performed	Checked	Date
Performed by		Page		Revision
Checked by		2 / 2		
Date	27/10/2024			

EIXO/SHAFT	
PADRÃO/STANDARD	
OPCIONAL/OPTIONAL	
ESPECIAL/SPECIAL	X

Dimensões em mm

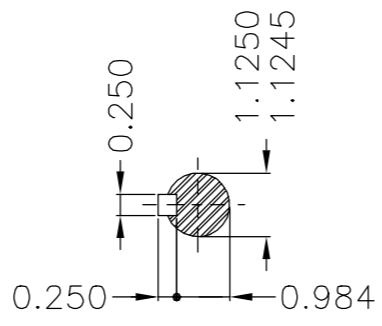
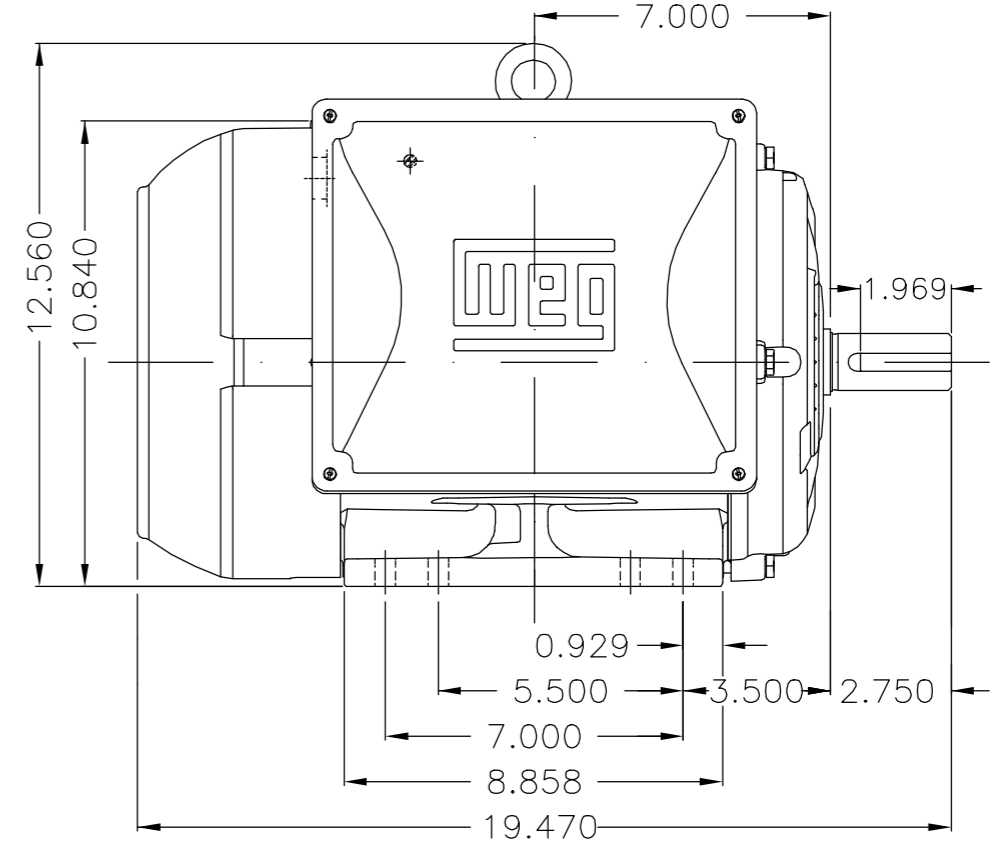
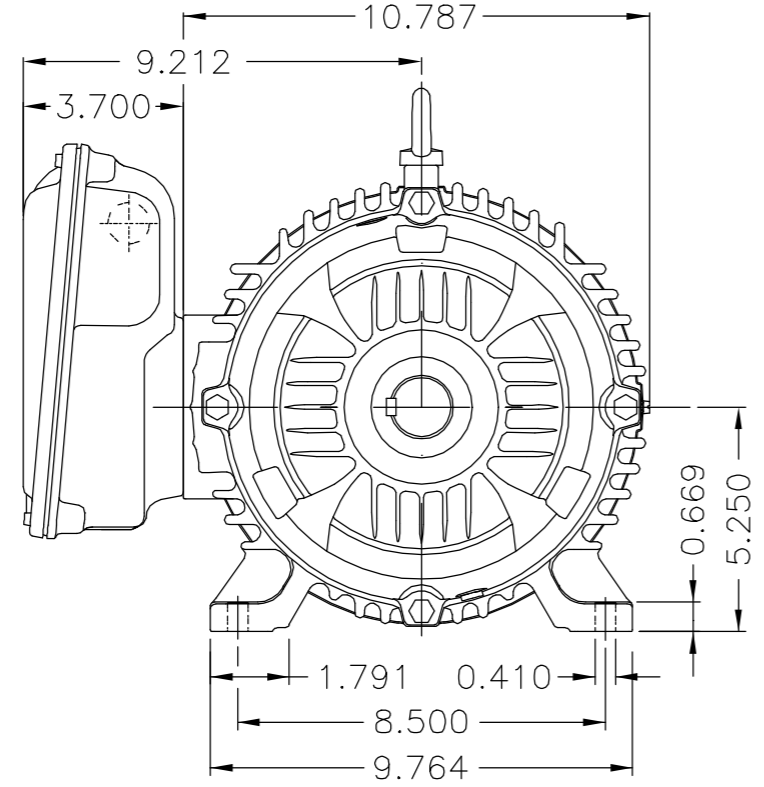
CERTIFIED WEG MOTORES
 Certified document.
 Not subject to changes.

THIS IS AN UPDATED REVISION, THE PREVIOUS ONE MUST BE DISREGARDED.



Grounding for leads 2-10 mm² / 14-7 AWG

Main terminal box



Ponta de Eixo Dianteira

Forma construtiva B3D / Mounting B3R(D)						
WEG EQUIPAMENTOS ELETRICOS S/A						
500001363344	DOCUMENTO NOVO	JOHNLENNON	RUBENFSM	25.09.2017	00	
ECM	LOC	SUMMARY OF MODIFICATIONS	EXECUTED	CHECKED	RELEASED	DATE VER
EXECUTED	JOHNLENNON	SINGLE PHASE MOTOR W22 NEMA FRAME 213/5TZ IP55 TEFC	10005239388			
CHECKED			000	00		
RELEASED	RUBENFSM					
REL DT	25.09.2017	WMO	Jaragua do Sul	Product Engineering	SHEET	01 / 01

7.5 HP 04 Poles 60Hz 414810284

UNCONTROLLED COPY

RELEASED

ZME A3