

DATA SHEET



Single Phase Induction Motor - Squirrel Cage

Customer :

Product line : W22 JM Pump Single-Phase Product code : 13876940

Frame	: 143/5JM	Locked rotor time	: 10s (cold) 6s (hot)
Output	: 1.5 HP (1.1 kW)	Temperature rise	: 80 K
Poles	: 4	Duty cycle	: Cont.(S1)
Frequency	: 60 Hz	Ambient temperature	: -20°C to +40°C
Rated voltage	: 115/208-230 V	Altitude	: 1000 m.a.s.l.
Rated current	: 13.5/7.00-6.75 A	Protection degree	: IP55
L. R. Amperes	: 108/56.0-54.0 A	Cooling method	: IC411 - TEFC
LRC	: 8.0x(Code K)	Mounting	: F-1
No load current	: 4.60/1.98-2.30 A	Rotation ¹	: Both (CW and CCW)
Rated speed	: 1755 rpm	Noise level ²	: 58.0 dB(A)
Slip	: 2.50 %	Starting method	: Direct On Line
Rated torque	: 0.620 kgfm	Approx. weight ³	: 32.5 kg
Locked rotor torque	: 260 %		
Breakdown torque	: 229 %		
Insulation class	: F		
Service factor	: 1.15		
Moment of inertia (J)	: 0.0069 kgm ²		

Output	50%	75%	100%	Foundation loads	
Efficiency (%)	65.0	73.0	77.0	Max. traction	: 24 kgf
Power Factor	0.90	0.92	0.92	Max. compression	: 57 kgf

	Drive end	Non drive end
Bearing type	: 6206 ZZ	: 6203 ZZ
Sealing	: V'Ring	: V'Ring
Lubrication interval	: -	: -
Lubricant amount	: -	: -
Lubricant type	: Mobil Polyrex EM	

Notes

This revision replaces and cancel the previous one, which must be eliminated.

- (1) Looking the motor from the shaft end.
- (2) Measured at 1m and with tolerance of +3dB(A).
- (3) Approximate weight subject to changes after manufacturing process.
- (4) At 100% of full load.

These are average values based on tests with sinusoidal power supply, subject to the tolerances stipulated in NEMA MG-1.

Rev.	Changes Summary	Performed	Checked	Date
Performed by				
Checked by			Page	Revision
Date	27/10/2024		1 / 2	

LOAD PERFORMANCE CURVE

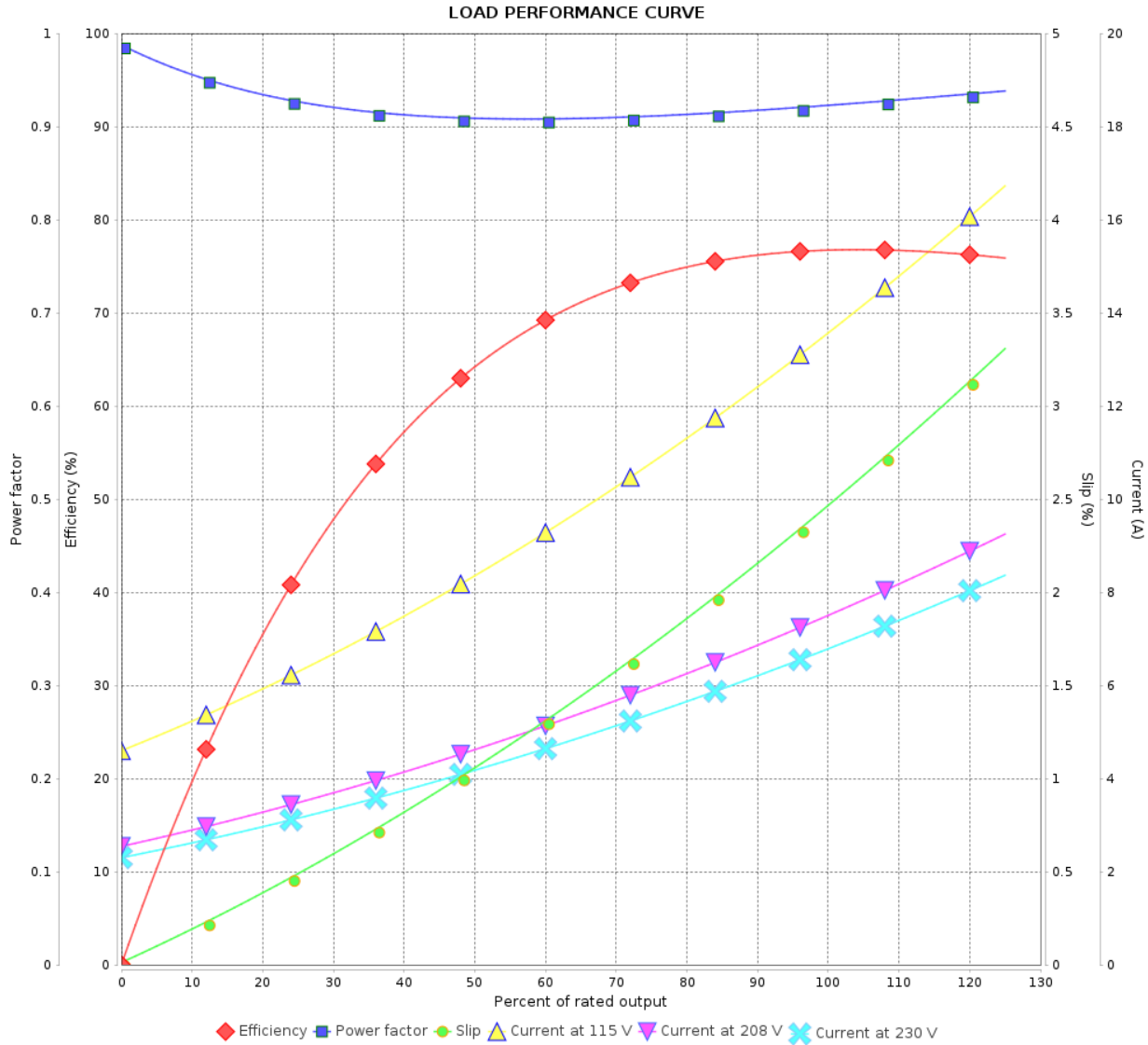
Single Phase Induction Motor - Squirrel Cage



Customer : _____

Product line : W22 JM Pump Single-Phase

Product code : 13876940



Performance : 115/208-230 V 60 Hz 4P

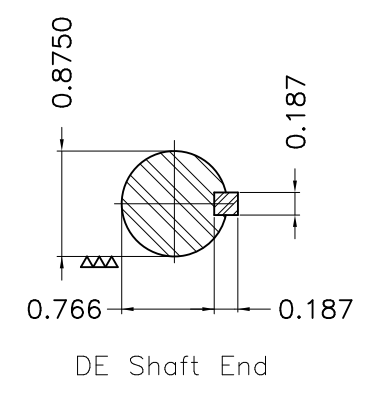
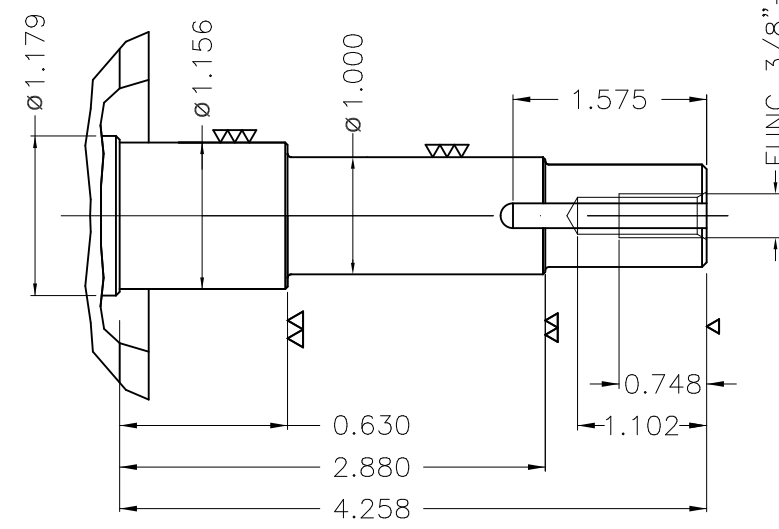
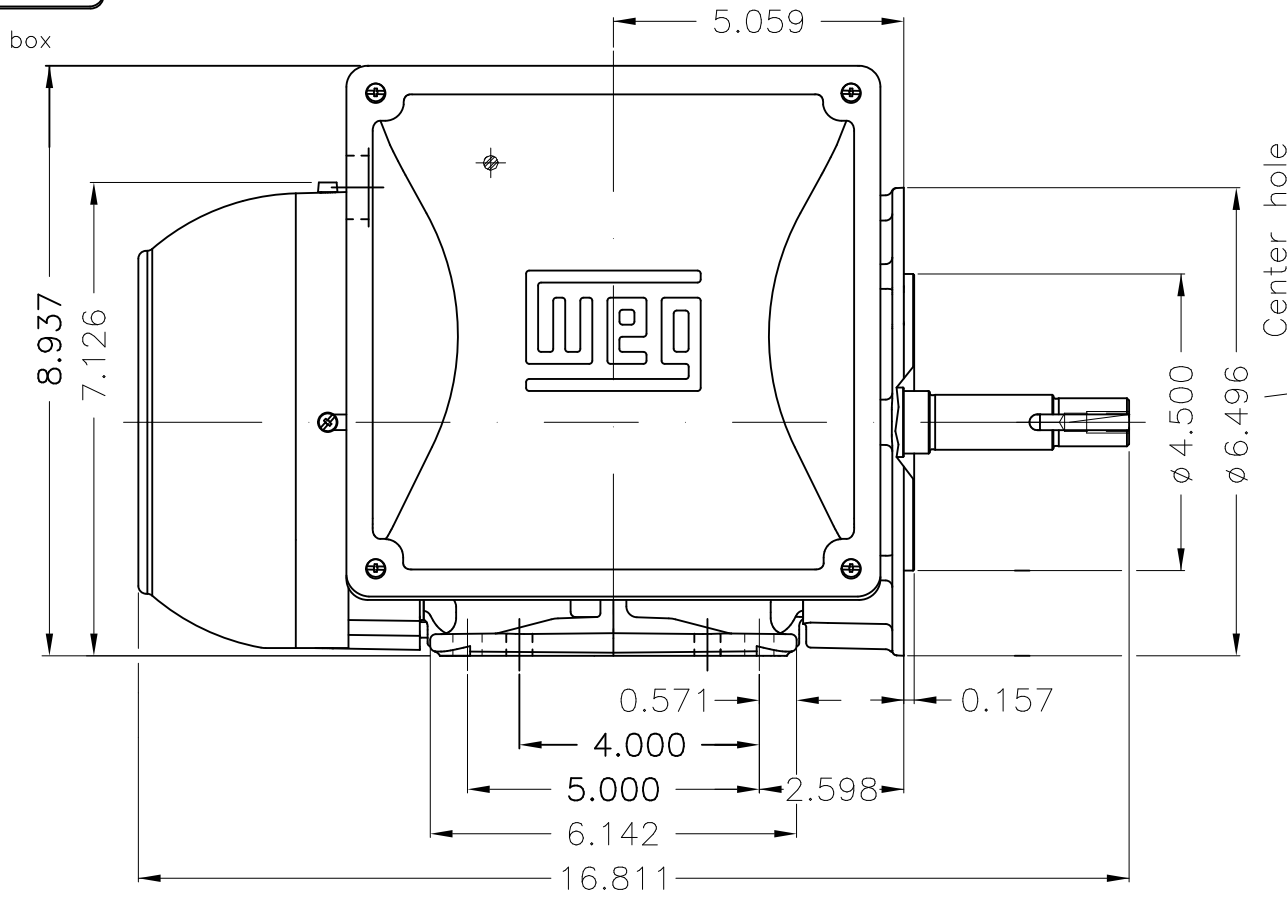
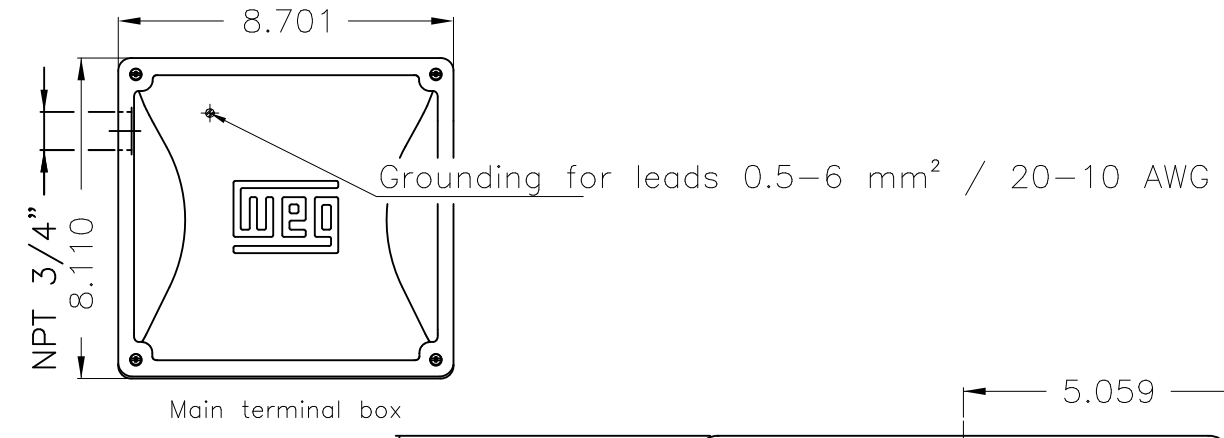
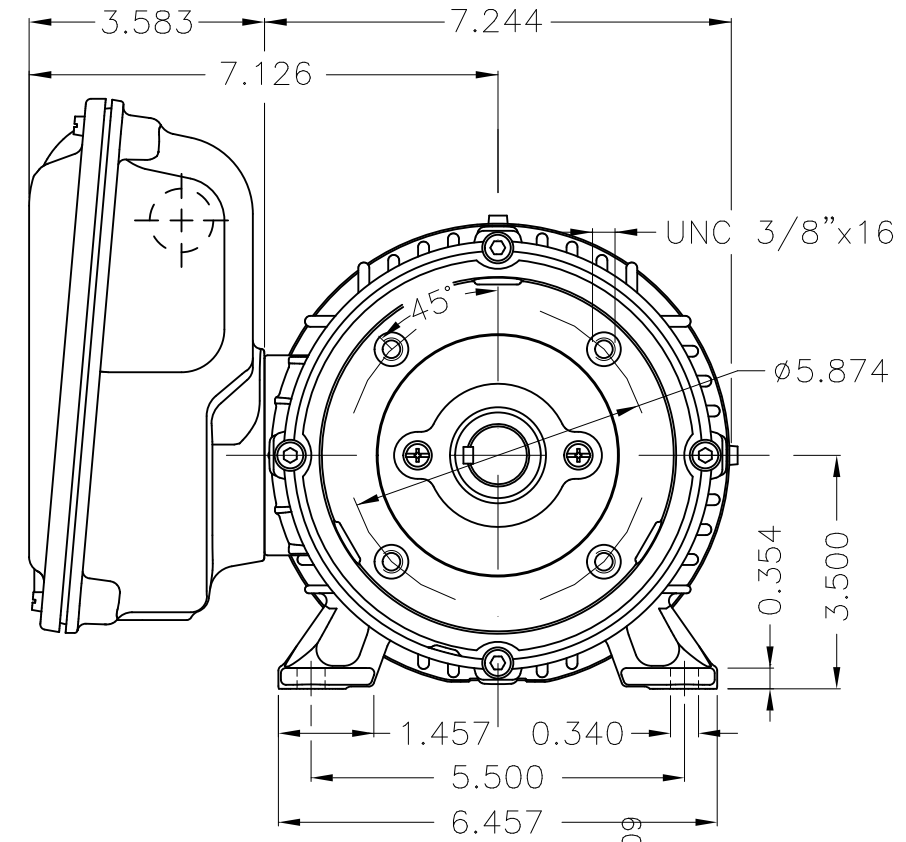
Rated current : 13.5/7.00-6.75 A
 LRC : 8.0
 Rated torque : 0.620 kgfm
 Locked rotor torque : 260 %
 Breakdown torque : 229 %
 Rated speed : 1755 rpm

Moment of inertia (J) : 0.0069 kgm²
 Duty cycle : Cont.(S1)
 Insulation class : F
 Service factor :
 Temperature rise : 80 K

Rev.	Changes Summary	Performed	Checked	Date
Performed by			Page	Revision
Checked by				
Date				

1 2 3 4 5 6

A
B
C
D
E



1.5 HP 04 Poles 60 Hz

Mounting NEMA F-1		Mounting B34R(D)														
ECM	LOC	SUMMARY OF MODIFICATIONS				EXECUTED	CHECKED	RELEASED	DATE	VER						
EXECUTED	HYBRISUSER	SINGLE PH. MOTOR W22 CLOSE COUPLED PUMP JM TYPE										PREVIEW				
CHECKED		FRAME 143/5JM IP55 TEFC										WDD 00				
RELEASED																
REL. DATE		WMO	Jaragua do Sul	Product Engineering	SHEET	1 / 1										

