

DATA SHEET



Single Phase Induction Motor - Squirrel Cage

Customer :

Product line : W22 JM Pump Single-Phase Product code : 14117998

Frame	: 143/5JM	Locked rotor time	: 14s (cold) 8s (hot)
Output	: 2 HP (1.5 kW)	Temperature rise	: 80 K
Poles	: 4	Duty cycle	: Cont.(S1)
Frequency	: 60 Hz	Ambient temperature	: -20°C to +40°C
Rated voltage	: 115/208-230 V	Altitude	: 1000 m.a.s.l.
Rated current	: 18.3/9.50-9.13 A	Protection degree	: IP55
L. R. Amperes	: 135/70.3-67.6 A	Cooling method	: IC411 - TEFC
LRC	: 7.4x(Code J)	Mounting	: F-1
No load current	: 8.40/3.62-4.20 A	Rotation ¹	: Both (CW and CCW)
Rated speed	: 1745 rpm	Noise level ²	: 58.0 dB(A)
Slip	: 3.06 %	Starting method	: Direct On Line
Rated torque	: 0.832 kgfm	Approx. weight ³	: 32.4 kg
Locked rotor torque	: 270 %		
Breakdown torque	: 240 %		
Insulation class	: F		
Service factor	: 1.15		
Moment of inertia (J)	: 0.0063 kgm ²		

Output	50%	75%	100%	Foundation loads	
Efficiency (%)	68.5	75.5	78.5	Max. traction	: 40 kgf
Power Factor	0.81	0.87	0.91	Max. compression	: 73 kgf

		<u>Drive end</u>	<u>Non drive end</u>
Bearing type	:	6206 ZZ	6203 ZZ
Sealing	:	V'Ring	V'Ring
Lubrication interval	:	-	-
Lubricant amount	:	-	-
Lubricant type	:	Mobil Polyrex EM	

Notes

This revision replaces and cancel the previous one, which must be eliminated.

- (1) Looking the motor from the shaft end.
- (2) Measured at 1m and with tolerance of +3dB(A).
- (3) Approximate weight subject to changes after manufacturing process.
- (4) At 100% of full load.

These are average values based on tests with sinusoidal power supply, subject to the tolerances stipulated in NEMA MG-1.

Rev.	Changes Summary	Performed	Checked	Date
Performed by				
Checked by			Page	Revision
Date	27/10/2024		1 / 2	

LOAD PERFORMANCE CURVE

Single Phase Induction Motor - Squirrel Cage

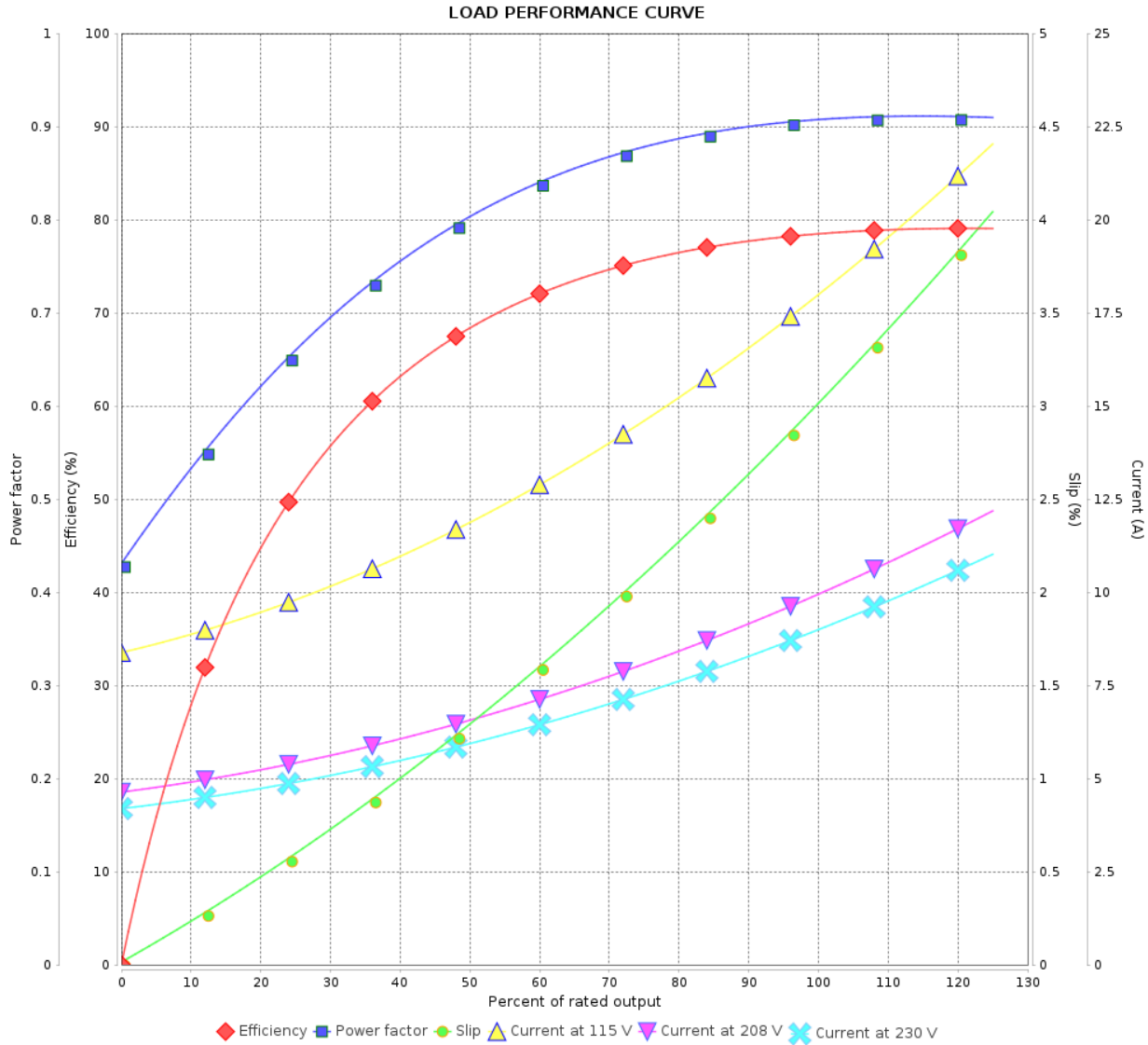


Customer :

Product line : W22 JM Pump Single-Phase

Product code :

14117998



Performance : 115/208-230 V 60 Hz 4P

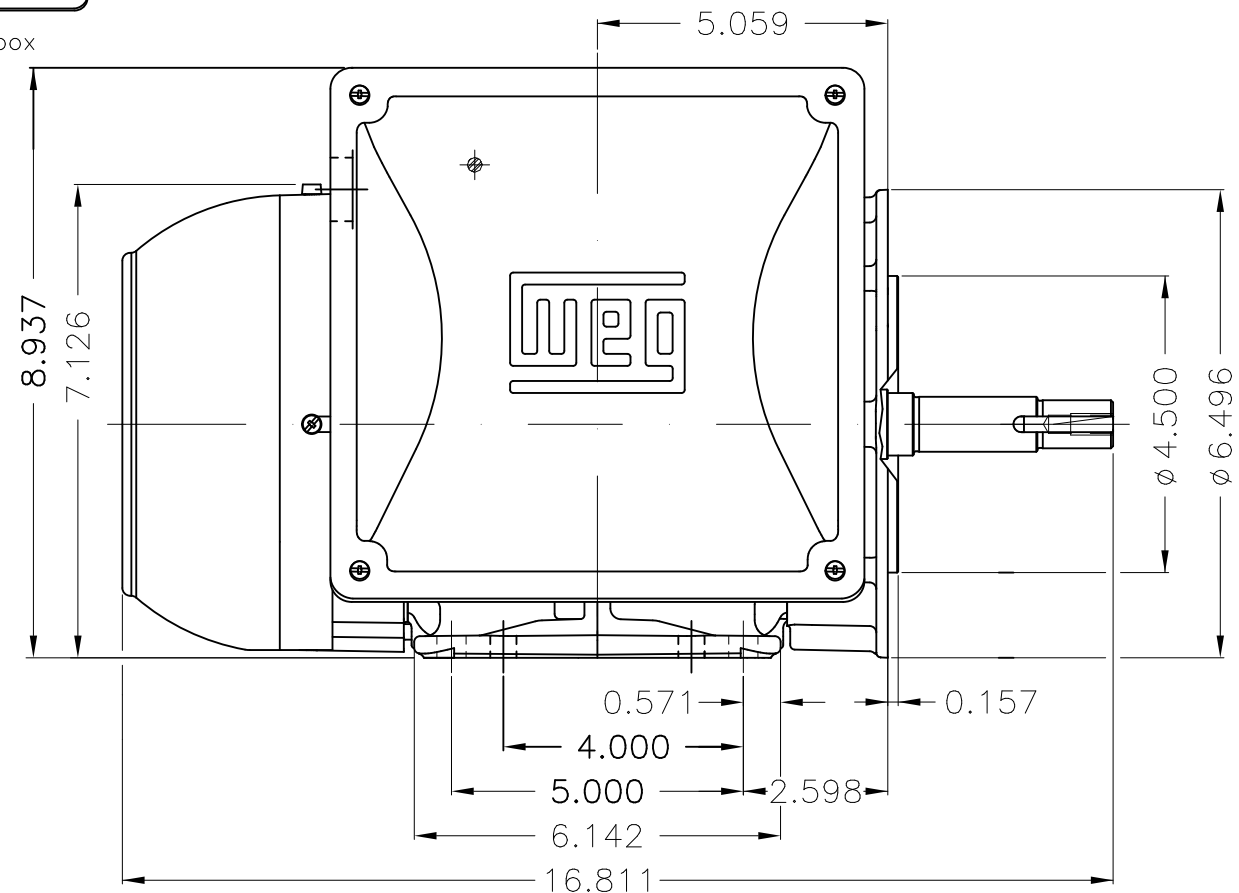
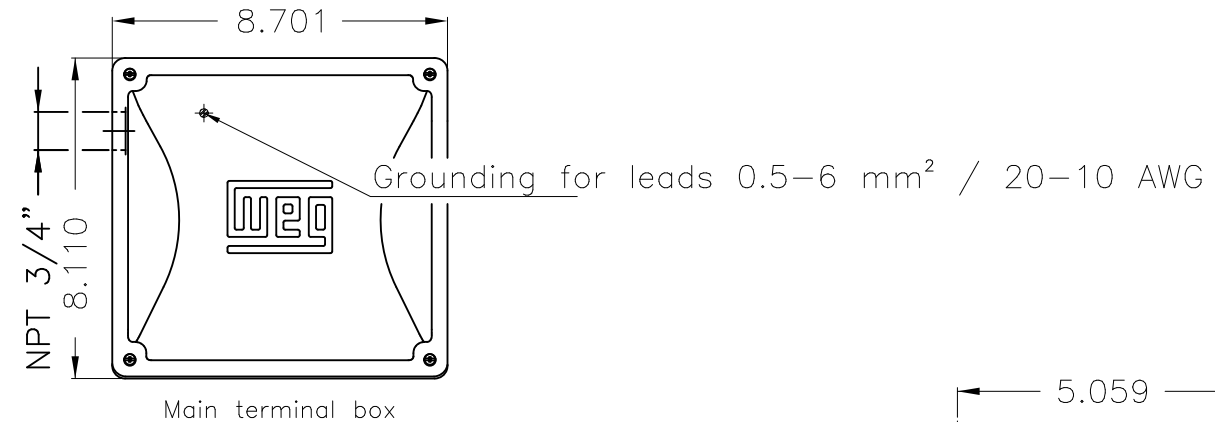
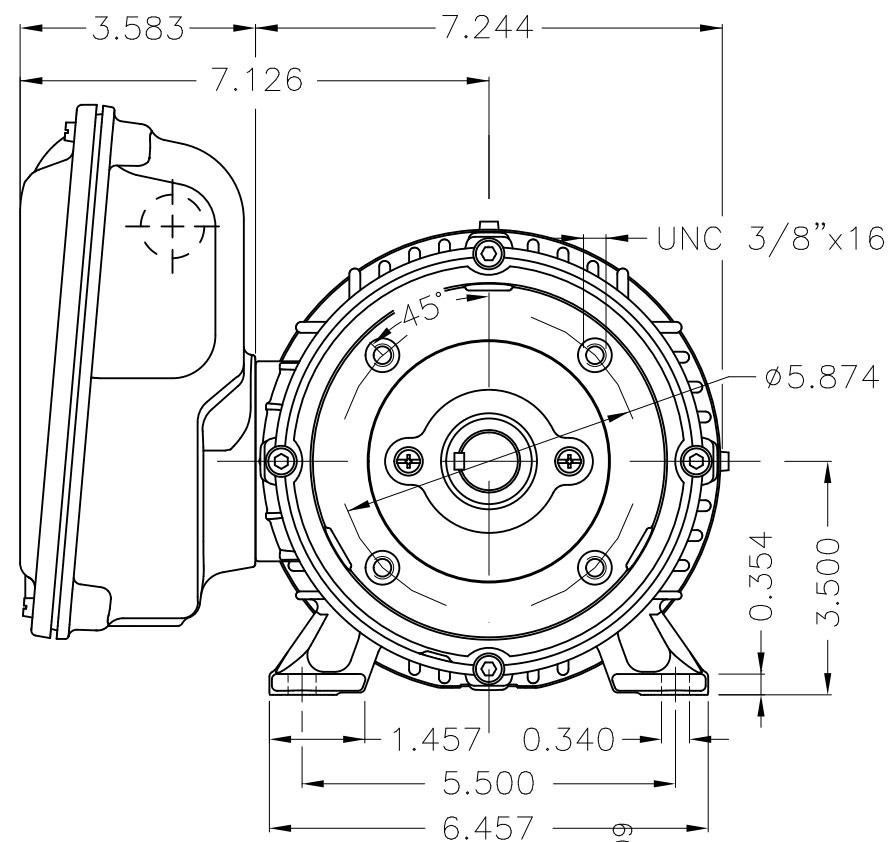
Rated current : 18.3/9.50-9.13 A
 LRC : 7.4
 Rated torque : 0.832 kgfm
 Locked rotor torque : 270 %
 Breakdown torque : 240 %
 Rated speed : 1745 rpm

Moment of inertia (J) : 0.0063 kgm²
 Duty cycle : Cont.(S1)
 Insulation class : F
 Service factor :
 Temperature rise : 80 K

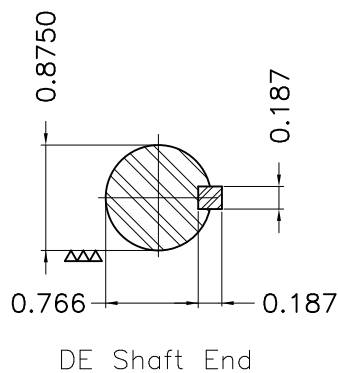
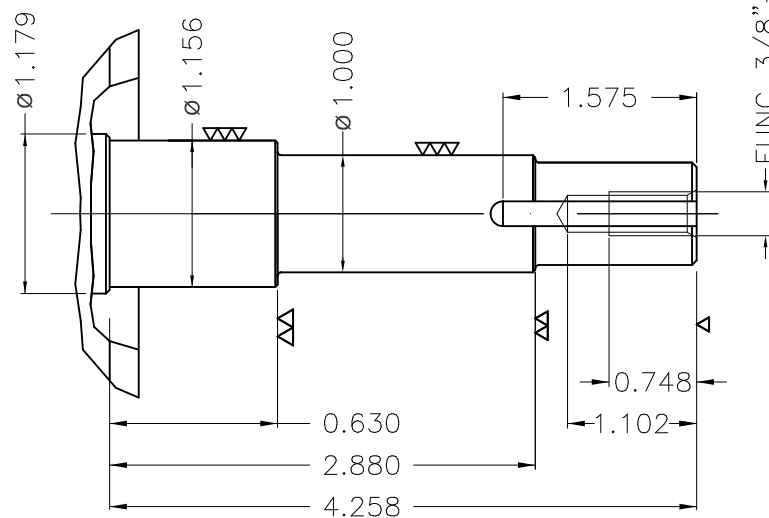
Rev.	Changes Summary	Performed	Checked	Date
Performed by			Page 2 / 2	Revision
Checked by				
Date	27/10/2024			

1 2 3 4 5 6

A
B
C
D
E



Center hole
EUNC 3/8"-16 WEG WPR-7309



2 HP 04 Poles 60 Hz

Color RAL 7022		Mounting NEMA F-1		Mounting B34R(D)	
ECM		LOC		SUMMARY OF MODIFICATIONS	
EXECUTED	HYBRISUSER	EXECUTED	CHECKED	RELEASED	DATE
CHECKED					
RELEASED					
REL. DATE	WMO	Jaragua do Sul	Product Engineering	HYBRISUSER	00
SINGLE PH. MOTOR W22 CLOSE COUPLED PUMP JM TYPE			PREVIEW		
FRAME 143/5JM IP55 TEFC			WDD 00		
SHEET			1 / 1		

Dimensions in inches XME A3