

DATA SHEET



Single Phase Induction Motor - Squirrel Cage

Customer :

Product line : W22 JM Pump Single-Phase Product code : 14314720

Frame	: 182/4JM	Locked rotor time	: 14s (cold) 8s (hot)
Output	: 3 HP (2.2 kW)	Temperature rise	: 80 K
Poles	: 4	Duty cycle	: Cont.(S1)
Frequency	: 60 Hz	Ambient temperature	: -20°C to +40°C
Rated voltage	: 115/208-230 V	Altitude	: 1000 m.a.s.l.
Rated current	: 30.2/15.7-15.1 A	Protection degree	: IP55
L. R. Amperes	: 208/108-104 A	Cooling method	: IC411 - TEFC
LRC	: 6.9x(Code J)	Mounting	: F-1
No load current	: 18.0/7.76-9.00 A	Rotation ¹	: Both (CW and CCW)
Rated speed	: 1745 rpm	Noise level ²	: 60.0 dB(A)
Slip	: 3.06 %	Starting method	: Direct On Line
Rated torque	: 1.25 kgfm	Approx. weight ³	: 49.5 kg
Locked rotor torque	: 290 %		
Breakdown torque	: 270 %		
Insulation class	: F		
Service factor	: 1.15		
Moment of inertia (J)	: 0.0157 kgm ²		

Output	50%	75%	100%	Foundation loads	
Efficiency (%)	65.0	74.0	77.0	Max. traction	: 45 kgf
Power Factor	0.74	0.80	0.82	Max. compression	: 95 kgf

	Drive end	Non drive end
Bearing type	: 6307 ZZ	: 6206 ZZ
Sealing	: V'Ring	: V'Ring
Lubrication interval	: -	: -
Lubricant amount	: -	: -
Lubricant type	: Mobil Polyrex EM	

Notes

This revision replaces and cancel the previous one, which must be eliminated.

- (1) Looking the motor from the shaft end.
- (2) Measured at 1m and with tolerance of +3dB(A).
- (3) Approximate weight subject to changes after manufacturing process.
- (4) At 100% of full load.

These are average values based on tests with sinusoidal power supply, subject to the tolerances stipulated in NEMA MG-1.

Rev.	Changes Summary	Performed	Checked	Date
Performed by				
Checked by			Page	Revision
Date	27/10/2024		1 / 2	

LOAD PERFORMANCE CURVE

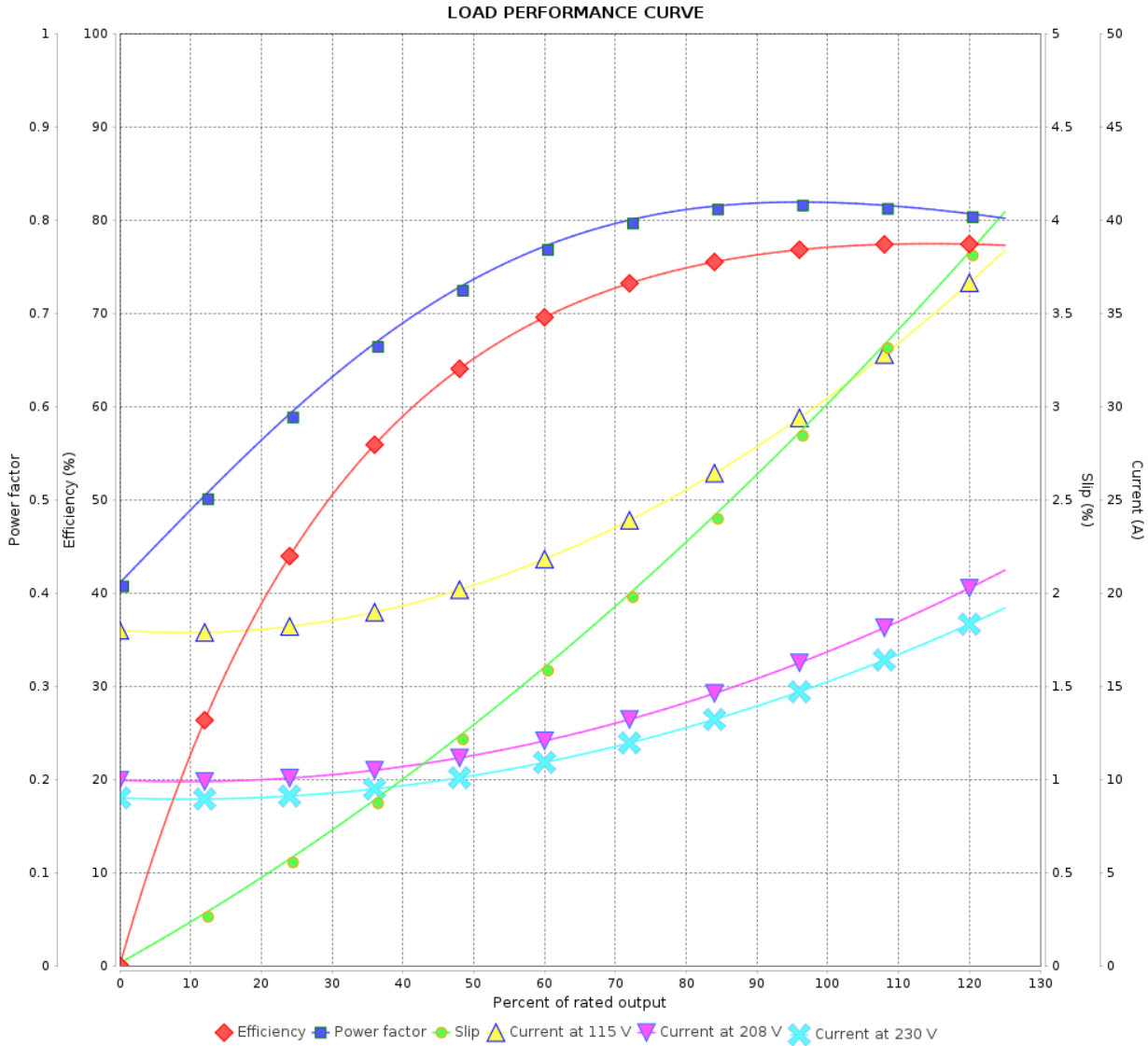
Single Phase Induction Motor - Squirrel Cage



Customer : _____

Product line : W22 JM Pump Single-Phase

Product code : 14314720



Performance : 115/208-230 V 60 Hz 4P

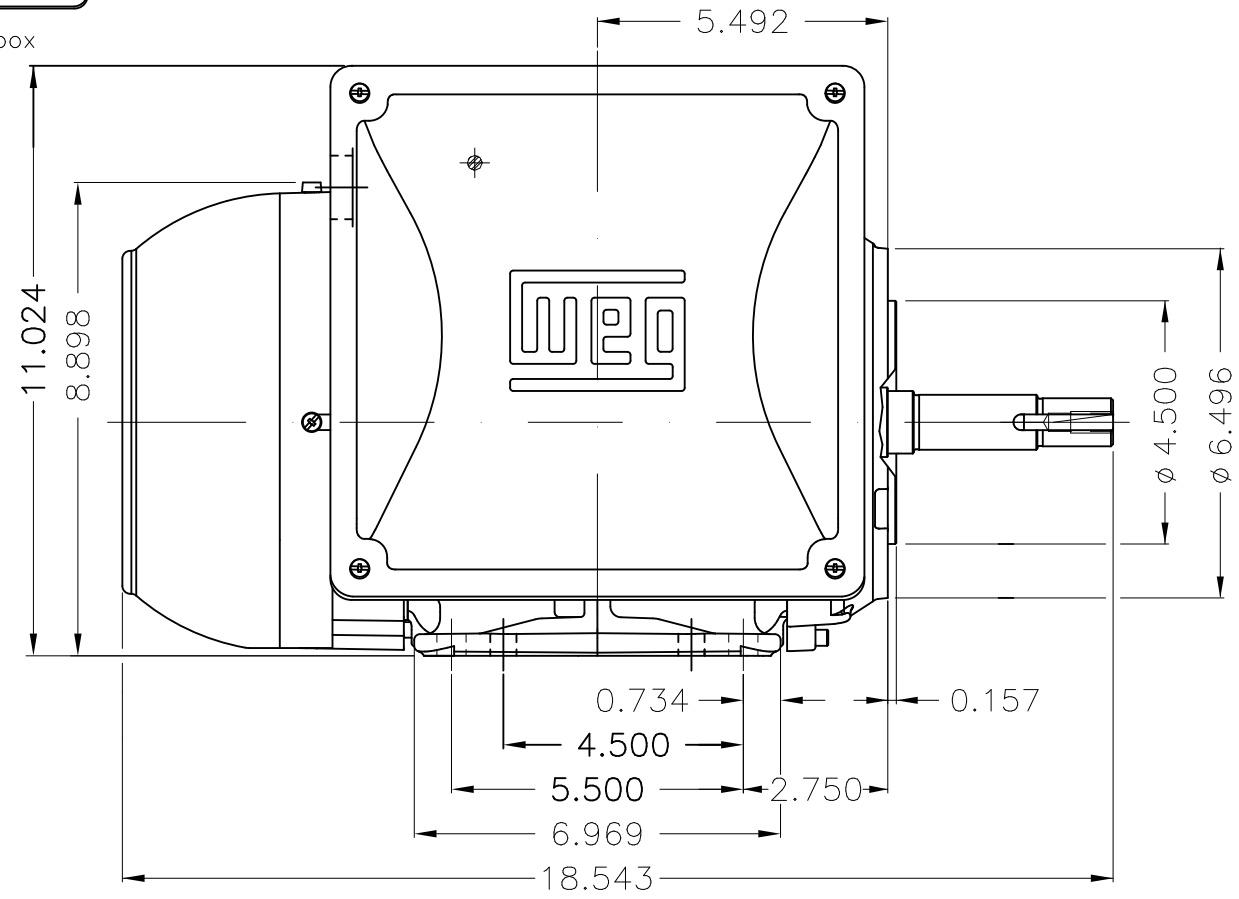
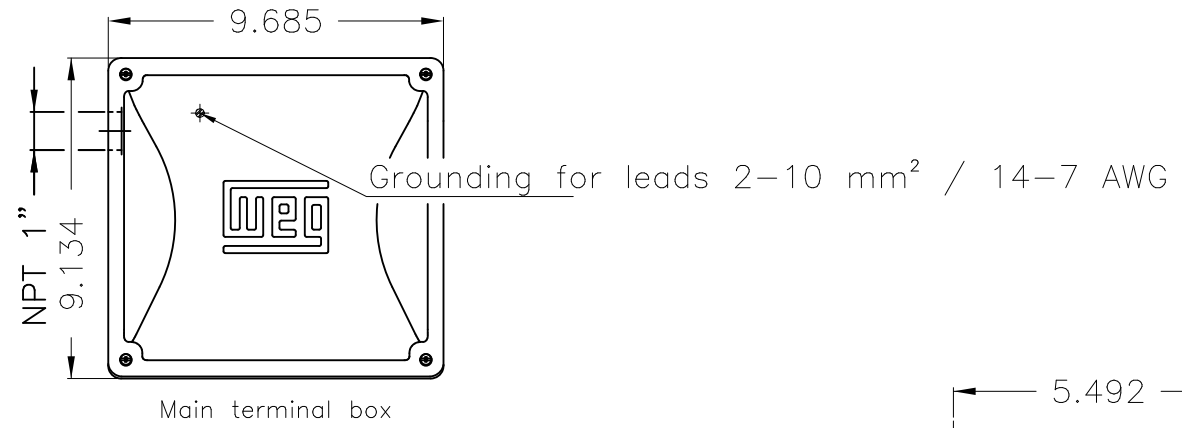
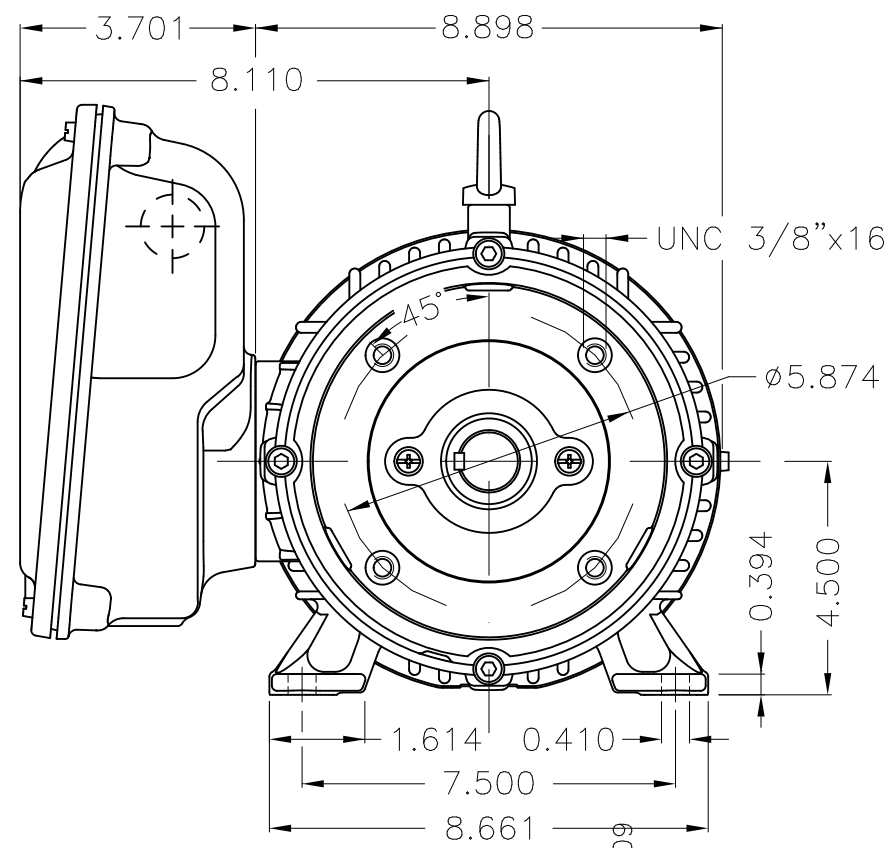
Rated current : 30.2/15.7-15.1 A
 LRC : 6.9
 Rated torque : 1.25 kgfm
 Locked rotor torque : 290 %
 Breakdown torque : 270 %
 Rated speed : 1745 rpm

Moment of inertia (J) : 0.0157 kgm²
 Duty cycle : Cont.(S1)
 Insulation class : F
 Service factor :
 Temperature rise : 80 K

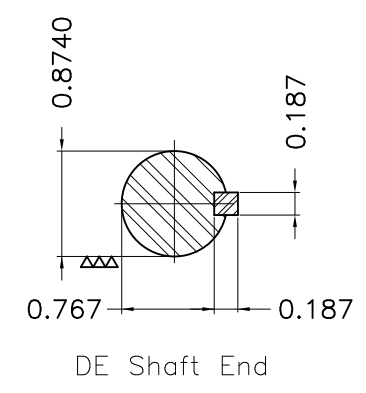
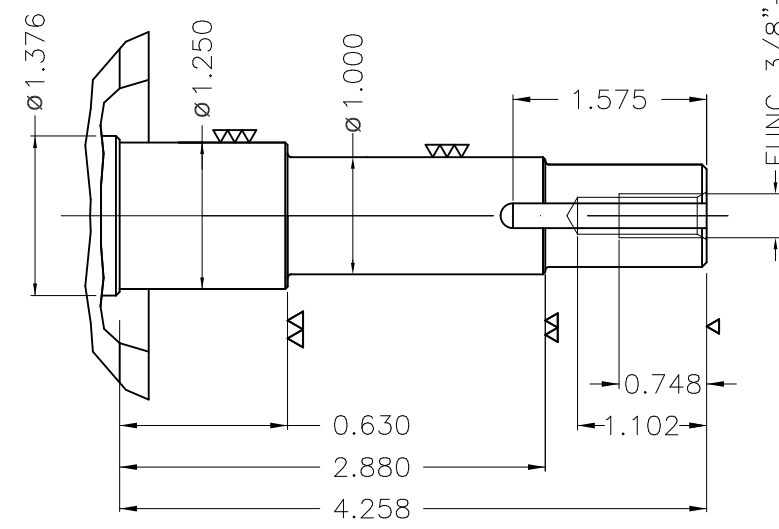
Rev.	Changes Summary	Performed	Checked	Date
Performed by			Page 2 / 2	Revision
Checked by				
Date	27/10/2024			

1 2 3 4 5 6

A
B
C
D
E



Center hole
EUNC 3/8"-16 WEG WPR-7309



EUNC 3/8"-16 WEG WPR-7309

3 HP 04 Poles 60 Hz

Mounting NEMA F-1					
Mounting B34R(D)					
ECM	LOC	SUMMARY OF MODIFICATIONS	HYBRISUSER	00	
EXECUTED	HYBRISUSER	SINGLE PH. MOTOR W22 CLOSE COUPLED PUMP JM TYPE	EXECUTED	CHECKED	RELEASED
CHECKED		FRAME 182/4JM IP55 TEFC	WDD	00	
RELEASED			REL. DATE	WMO	Jaragua do Sul
Product Engineering			SHEET	1 / 1	

