

DATA SHEET

Single Phase Induction Motor - Squirrel Cage



Customer : V.J. PAMENSKY CANADA INC.

Product line : W01 - TEFC - Premium Efficiency (DOE) Jet Pump - Forma C Product code : 18533104

Frame	: 56C	Locked rotor time	: 15 s (hot) 27 s (cold)
Output	: 1 HP (0.75 kW)	Temperature rise	: 80 K
Poles	: 2	Duty cycle	: S1
Frequency	: 60 Hz	Ambient temperature	: -20 °C to +40 °C
Rated voltage	: 115/208-230 V	Altitude	: 3280 ft
Rated current	: 8.42/4.95-4.21 A	Protection degree	: IP55
L. R. Amperes	: 69.9/41.1-34.9 A	Cooling method	: IC411 - TEFC
LRC	: 8.3	Mounting	: F-1/B14R(D)
No load current	: 2.00/0.862-1.00 A	Rotation ¹	: Counter clockwise
Rated speed	: 3505 rpm	Noise level ²	: 68.0 dB(A)
Slip	: 2.64 %	Vibration class	: A
Rated torque	: 1.48 ft.lb	Starting method	: Direct On Line
Locked rotor torque	: 270 %	Approx. weight ³	: 32.0 lb
Pull up torque	: 230 %	Painting plan	: 207N
Breakdown torque	: 290 %	Color	: MUNSELL N 1 - MATTE
Insulation class	: F	Design	: N
Service factor	: 1.15		
Moment of inertia (J)	: 0.0593 sq.ft.lb		

Output	50%	75%	100%	Load type	: -
Efficiency (%)	64.0	72.0	78.5	Load torque	: -
Power Factor	0.95	0.94	0.95	Load inertia (J=GD ² /4)	: -

	Drive end	Non drive end	Foundation loads	
Bearing type #1	6203-2RS	6202-2RS	Max. traction	: -
Bearing type #2	-	-	Max. compression	: -
Lubrication interval	-	-		
Lubricant amount #1	-	-		
Lubricant amount #2	-	-		
Lubricant type	MOBIL POLYREX EM			

Notes
See notes on page 2.

This revision replaces and cancel the previous one, which must be eliminated.
(1) Looking the motor from the shaft end.
(2) Measured at 1m and with tolerance of +3dB(A).
(3) Approximate weight, subject to be changed after manufacturing process.

These are average values based on tests with sinusoidal power supply, subject to the tolerances stipulated in NEMA MG 1-12.

Rev.	Changes Summary	Rev.	Checked	Date
Performed by	farazq	1866278372		
Checked by	AUTOMATICO	Page	Rev.	
Date	26/06/2026	1 / 2	0	

DATA SHEET

Single Phase Induction Motor - Squirrel Cage



Customer : V.J. PAMENSKY CANADA INC.

Product line : W01 - TEFC - Premium Efficiency (DOE) Jet Pump - Forma C Product code : 18533104

Thermal protection ID	Application	Type	Quantity	Sensing Temperature
-----------------------	-------------	------	----------	---------------------

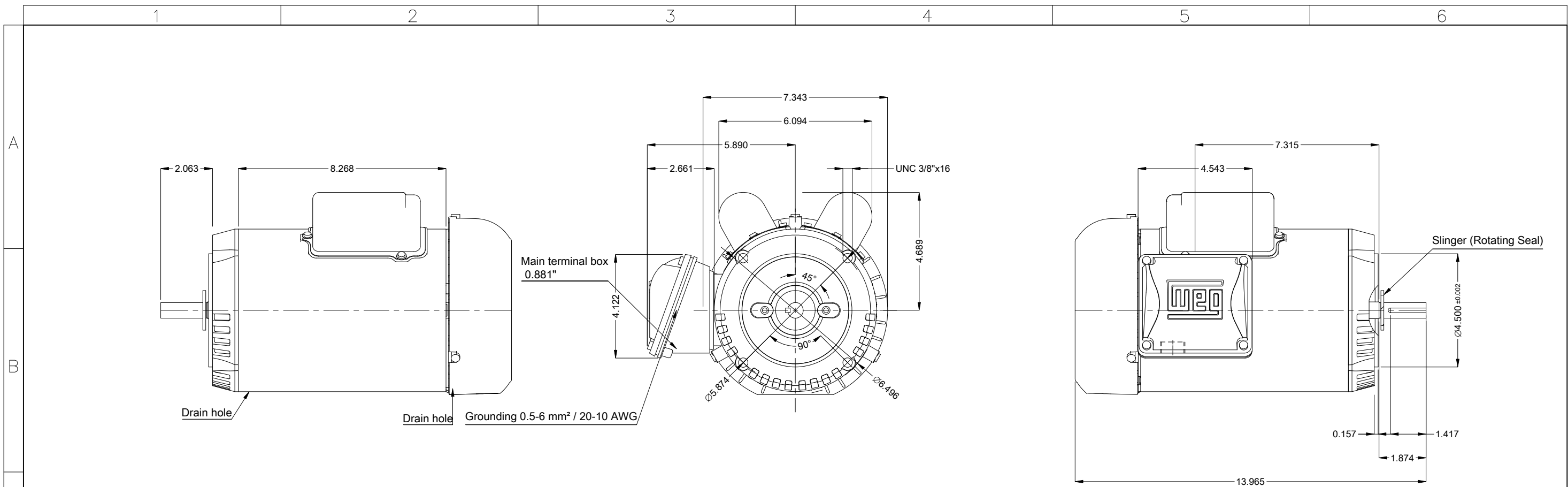
Notes

Standards	Specification : MG1 - Part 10	Vibration : MG1 - Part 7
	Test : MG1 - Part 12	Tolerance : MG1 - Part 12
	Noise : MG1 - Part 9	

This revision replaces and cancel the previous one, which must be eliminated.
 (1) Looking the motor from the shaft end.
 (2) Measured at 1m and with tolerance of +3dB(A).
 (3) Approximate weight, subject to be changed after manufacturing process.

These are average values based on tests with sinusoidal power supply, subject to the tolerances stipulated in NEMA MG 1-12.

Rev.	Changes Summary	Rev.	Checked	Date	
Performed by	farazq	1866278372			
Checked by	AUTOMATICO			Page	Rev.
Date	26/06/2026			2 / 2	0



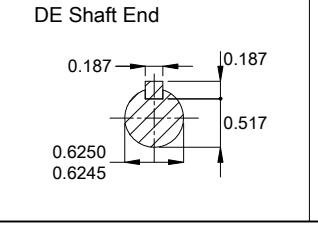
A

B

C

D

Shaft material - stainless steel AISI 304
Fan cover - steel plate
Color Munsell N 1 matte black
Painting plan 207N
Mounting MARKET F-1/B14R(D)
Mounting F-1/B14R(D)



1 HP 02 Poles 60 Hz		A	
Scale 1 : 4			
ECM	LOC	SUMMARY OF MODIFICATIONS	
EXECUTED	HYBRISUSER	EXECUTED	CHECKED
CHECKED		RELEASED	DATE
RELEASED		REL. DATE	
SINGLE PH. MOTOR ROLLED STEEL JET PUMP KEYED PREM. EFF. FRAME 56C IP55 TEFC		HYBRISUSER 00	
PREVIEW		WDD 00	
SHEET 1 / 1		1 / 1	

Dimensions in inches

A3