

DATA SHEET



Single Phase Induction Motor - Squirrel Cage

Customer :

Product line : W22 JM Pump Single-Phase Product code : 14076630

Frame	: 213/5JM	Locked rotor time	: 12s (cold) 7s (hot)
Output	: 7.5 HP (5.5 kW)	Temperature rise	: 80 K
Poles	: 2	Duty cycle	: Cont.(S1)
Frequency	: 60 Hz	Ambient temperature	: -20°C to +40°C
Rated voltage	: 208-230 V	Altitude	: 1000 m.a.s.l.
Rated current	: 30.5-28.3 A	Protection degree	: IP55
L. R. Amperes	: 220-204 A	Cooling method	: IC411 - TEFC
LRC	: 7.2x(Code G)	Mounting	: F-1
No load current	: 5.69-6.60 A	Rotation ¹	: Both (CW and CCW)
Rated speed	: 3510 rpm	Noise level ²	: 72.0 dB(A)
Slip	: 2.50 %	Starting method	: Direct On Line
Rated torque	: 1.55 kgfm	Approx. weight ³	: 76.2 kg
Locked rotor torque	: 280 %		
Breakdown torque	: 290 %		
Insulation class	: F		
Service factor	: 1.15		
Moment of inertia (J)	: 0.0234 kgm ²		

Output	50%	75%	100%	Foundation loads	
Efficiency (%)	78.5	84.0	85.5	Max. traction	: 45 kgf
Power Factor	0.99	0.99	0.99	Max. compression	: 121 kgf

	Drive end	Non drive end
Bearing type	: 6309 ZZ C3	: 6206 ZZ
Sealing	: V'Ring	: V'Ring
Lubrication interval	: -	: -
Lubricant amount	: -	: -
Lubricant type	: Mobil Polyrex EM	

Notes

This revision replaces and cancel the previous one, which must be eliminated.

- (1) Looking the motor from the shaft end.
- (2) Measured at 1m and with tolerance of +3dB(A).
- (3) Approximate weight subject to changes after manufacturing process.
- (4) At 100% of full load.

These are average values based on tests with sinusoidal power supply, subject to the tolerances stipulated in NEMA MG-1.

Rev.	Changes Summary	Performed	Checked	Date
Performed by				
Checked by			Page	Revision
Date	27/10/2024		1 / 2	

LOAD PERFORMANCE CURVE

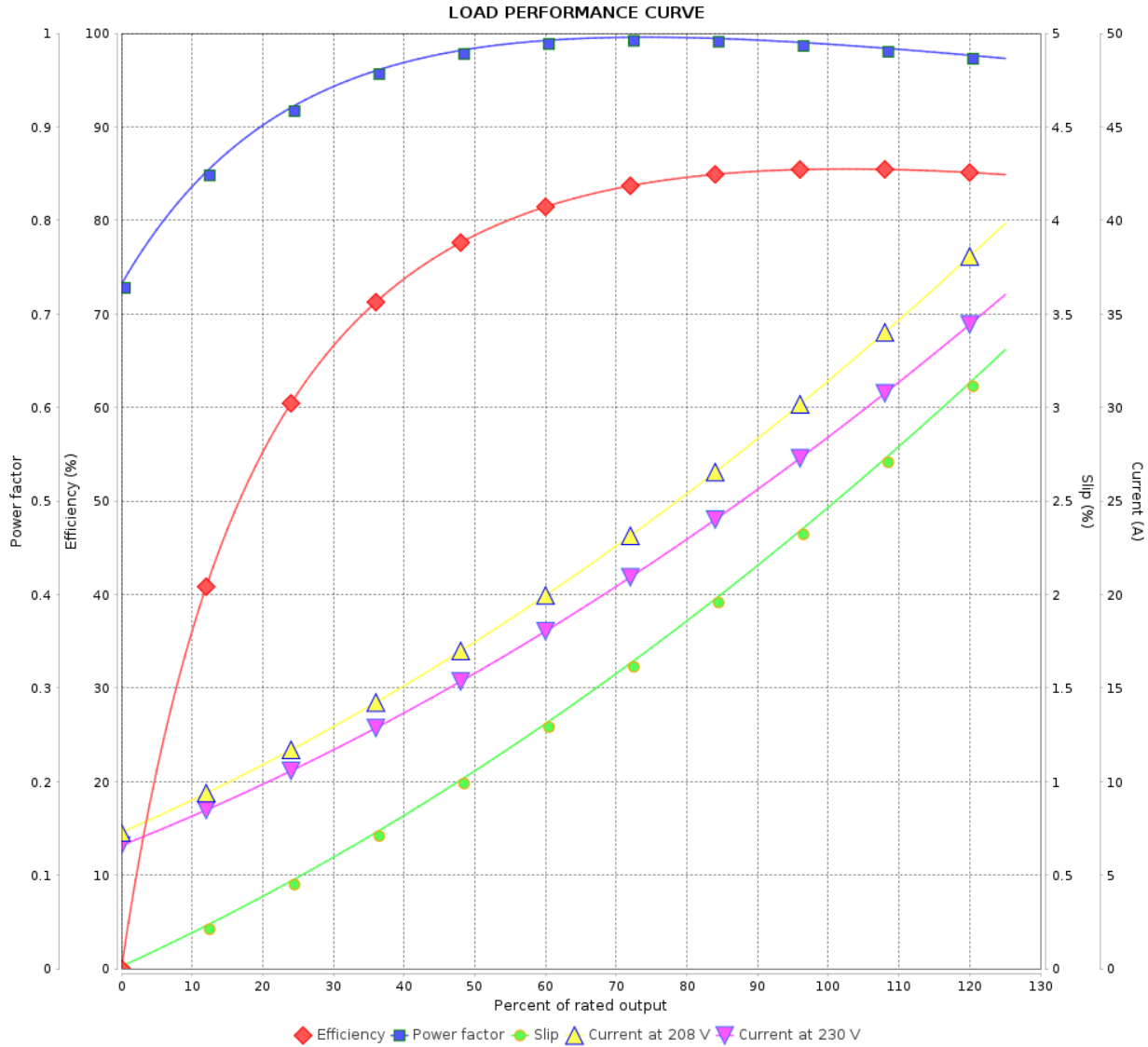
Single Phase Induction Motor - Squirrel Cage



Customer : _____

Product line : W22 JM Pump Single-Phase

Product code : 14076630



Performance : 208-230 V 60 Hz 2P

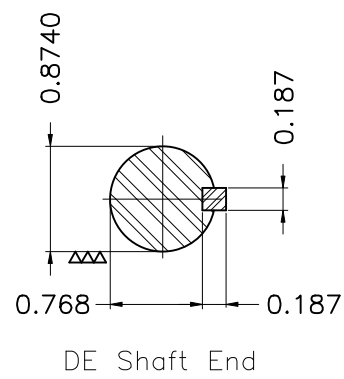
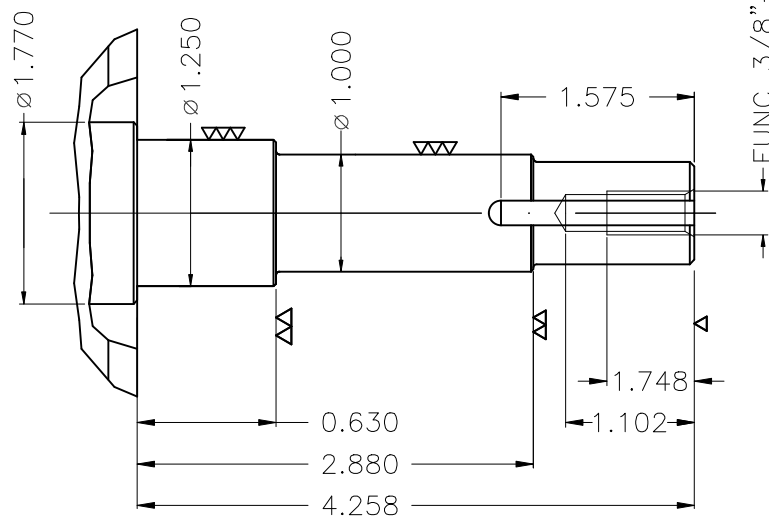
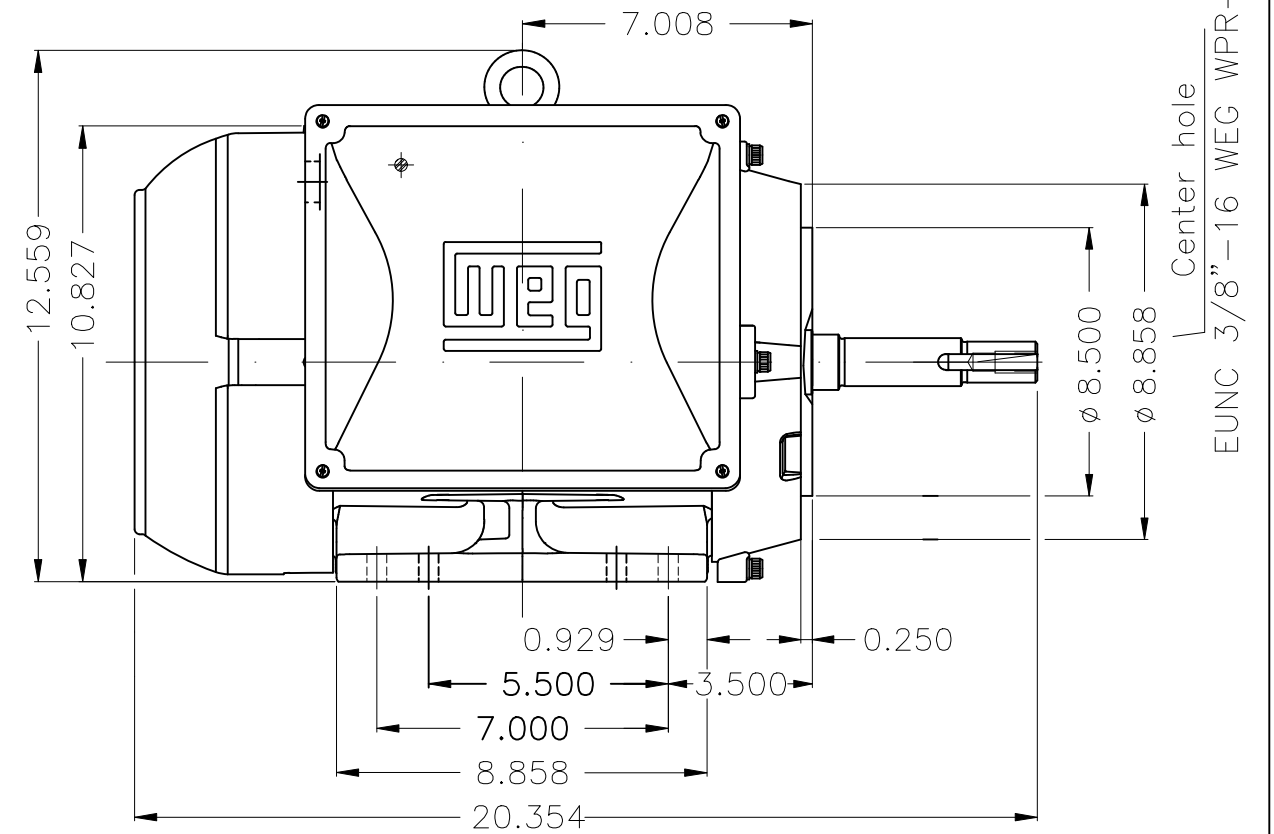
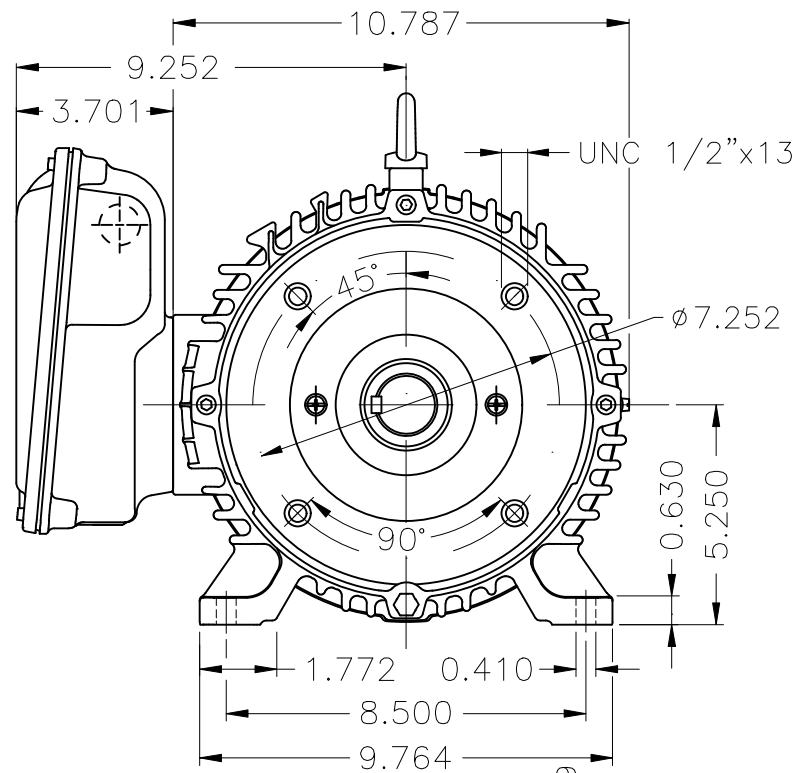
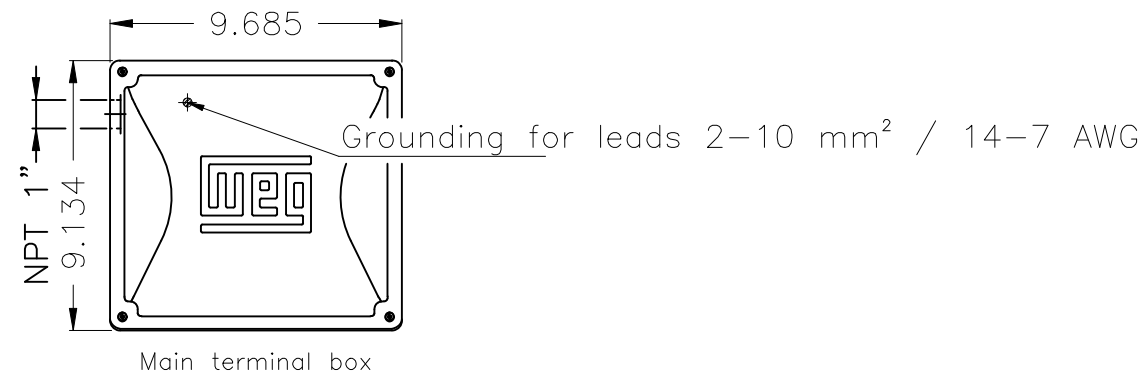
Rated current : 30.5-28.3 A
 LRC : 7.2
 Rated torque : 1.55 kgfm
 Locked rotor torque : 280 %
 Breakdown torque : 290 %
 Rated speed : 3510 rpm

Moment of inertia (J) : 0.0234 kgm²
 Duty cycle : Cont.(S1)
 Insulation class : F
 Service factor :
 Temperature rise : 80 K

Rev.	Changes Summary	Performed	Checked	Date
Performed by		Page		Revision
Checked by		2 / 2		
Date	27/10/2024			

1 2 3 4 5 6

A
B
C
D
E



7.5 HP 02 Poles 60 Hz

Mounting NEMA F-1
Mounting B34D

ECM	LOC	SUMMARY OF MODIFICATIONS	EXECUTED	CHECKED	RELEASED	DATE	VER
EXECUTED	HYBRISUSER	SINGLE PH. MOTOR W22 PUMP JM FRAME 213/5JM IP55 TEFC					00
CHECKED							
RELEASED							
REL. DATE	WMO		Jaragua do Sul	Product Engineering	PREVIEW	WDD	00

Dimensions in inches
XME A3