

DATA SHEET



Single Phase Induction Motor - Squirrel Cage

Customer :

Product line : W22 JM Pump Single-Phase Product code : 14076628

Frame	: 143JM	Locked rotor time	: 12s (cold) 7s (hot)
Output	: 1 HP (0.75 kW)	Temperature rise	: 80 K
Poles	: 4	Duty cycle	: Cont.(S1)
Frequency	: 60 Hz	Ambient temperature	: -20°C to +40°C
Rated voltage	: 115/208-230 V	Altitude	: 1000 m.a.s.l.
Rated current	: 10.7/5.50-5.33 A	Protection degree	: IP55
L. R. Amperes	: 89.5/46.2-44.8 A	Cooling method	: IC411 - TEFC
LRC	: 8.4x(Code M)	Mounting	: F-1
No load current	: 6.40/2.76-3.20 A	Rotation ¹	: Both (CW and CCW)
Rated speed	: 1665 rpm	Noise level ²	: 58.0 dB(A)
Slip	: 7.50 %	Starting method	: Direct On Line
Rated torque	: 0.436 kgfm	Approx. weight ³	: 24.8 kg
Locked rotor torque	: 270 %		
Breakdown torque	: 300 %		
Insulation class	: F		
Service factor	: 1.15		
Moment of inertia (J)	: 0.0055 kgm ²		

Output	50%	75%	100%	Foundation loads	
Efficiency (%)	59.0	68.0	72.0	Max. traction	: 25 kgf
Power Factor	0.69	0.79	0.85	Max. compression	: 49 kgf

	Drive end	Non drive end
Bearing type	: 6206 ZZ	: 6203 ZZ
Sealing	: V'Ring	: V'Ring
Lubrication interval	: -	: -
Lubricant amount	: -	: -
Lubricant type	: Mobil Polyrex EM	

Notes

This revision replaces and cancel the previous one, which must be eliminated.

- (1) Looking the motor from the shaft end.
- (2) Measured at 1m and with tolerance of +3dB(A).
- (3) Approximate weight subject to changes after manufacturing process.
- (4) At 100% of full load.

These are average values based on tests with sinusoidal power supply, subject to the tolerances stipulated in NEMA MG-1.

Rev.	Changes Summary	Performed	Checked	Date
Performed by				
Checked by			Page	Revision
Date	27/10/2024		1 / 2	

LOAD PERFORMANCE CURVE

Single Phase Induction Motor - Squirrel Cage

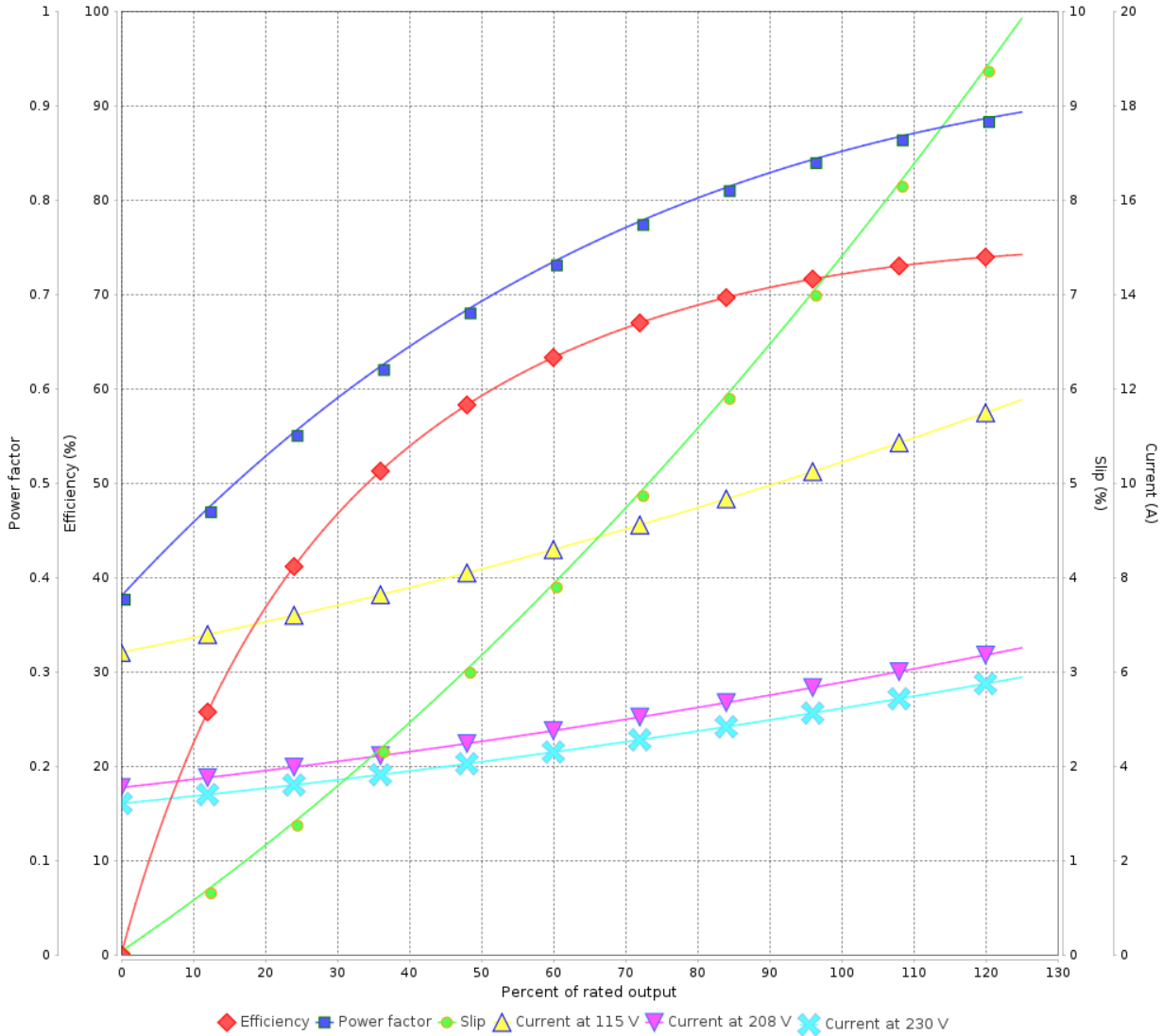


Customer : _____

Product line : W22 JM Pump Single-Phase

Product code : 14076628

LOAD PERFORMANCE CURVE



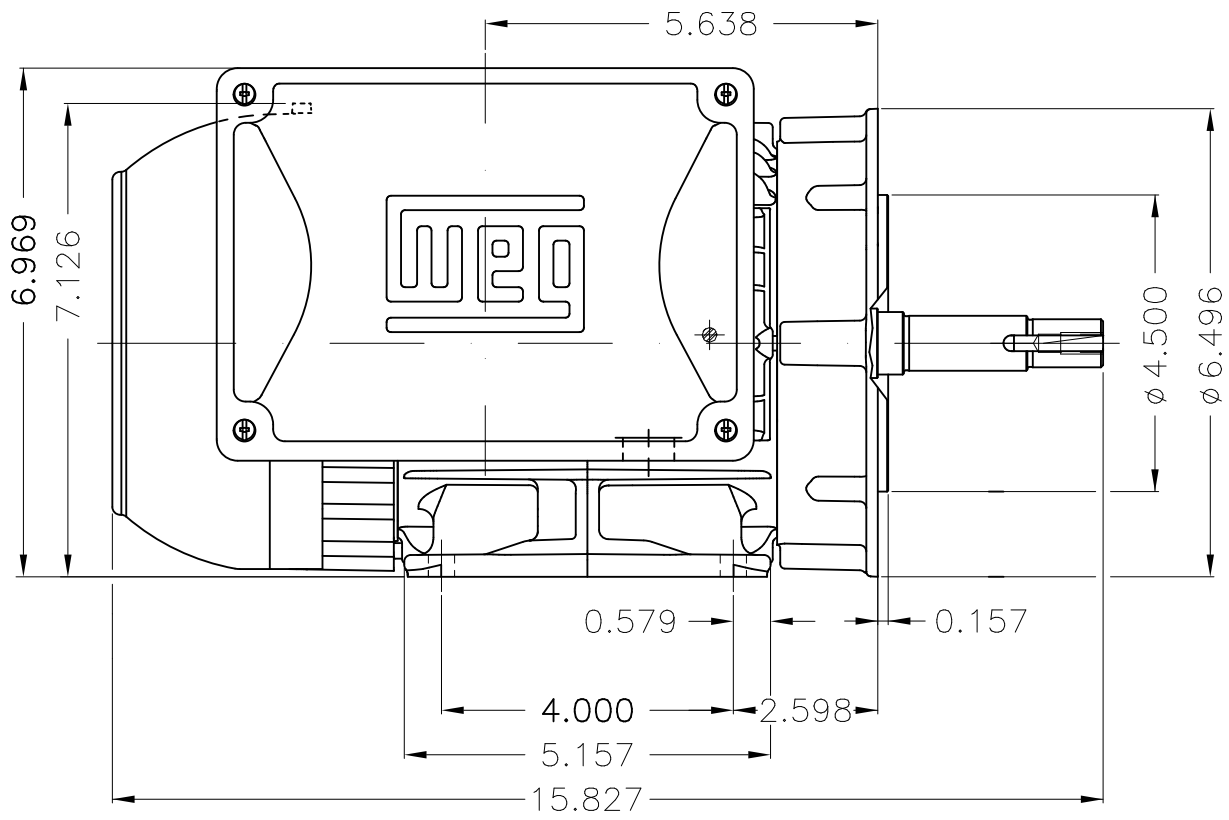
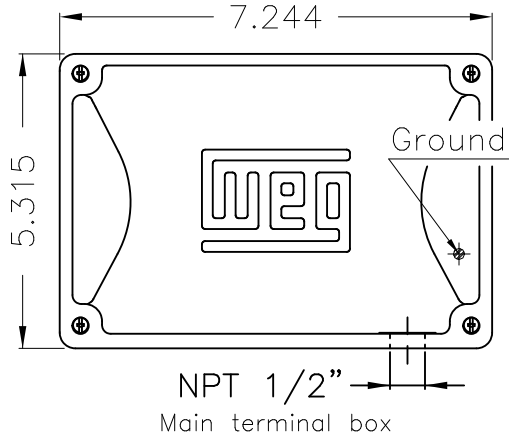
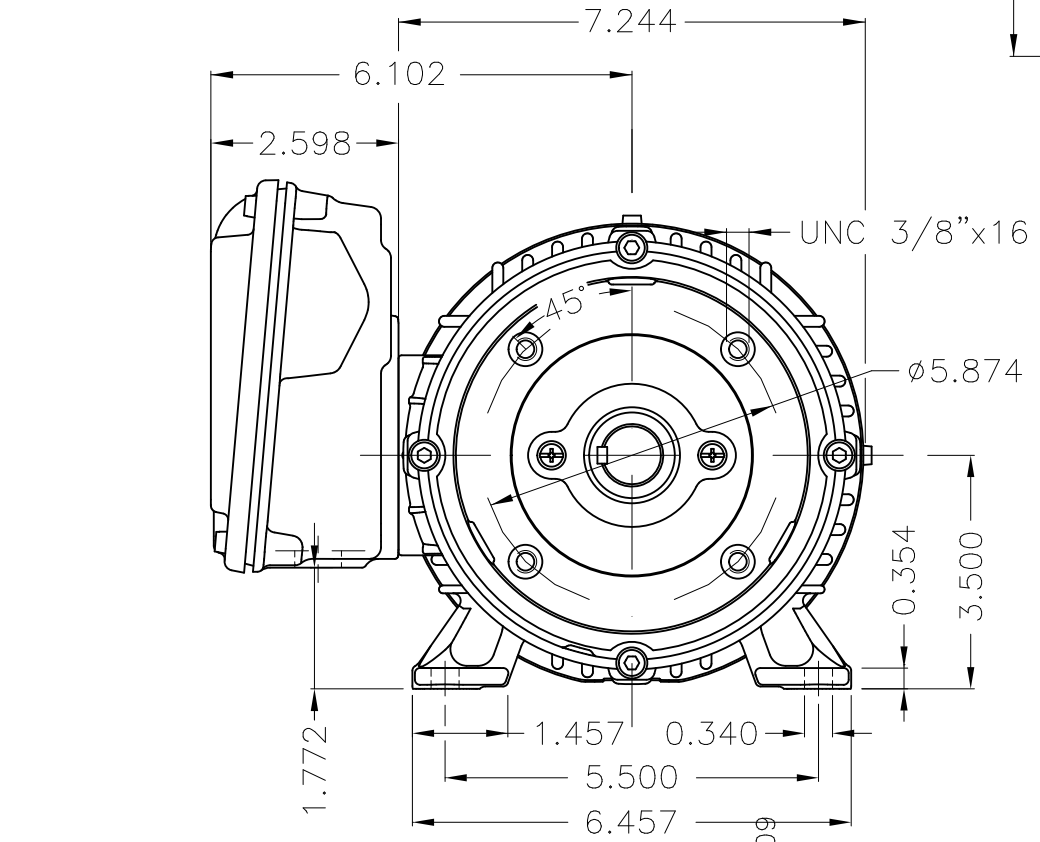
Performance : 115/208-230 V 60 Hz 4P

Rated current : 10.7/5.50-5.33 A
 LRC : 8.4
 Rated torque : 0.436 kgfm
 Locked rotor torque : 270 %
 Breakdown torque : 300 %
 Rated speed : 1665 rpm

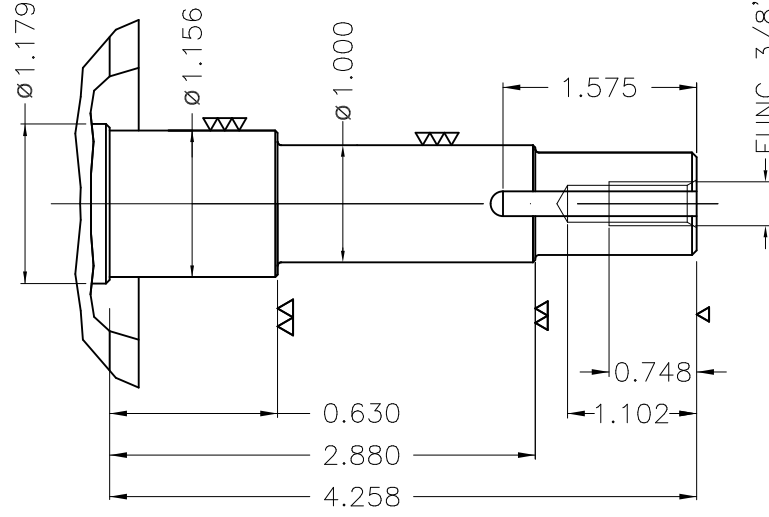
Moment of inertia (J) : 0.0055 kgm²
 Duty cycle : Cont.(S1)
 Insulation class : F
 Service factor :
 Temperature rise : 80 K

Rev.	Changes Summary	Performed	Checked	Date
Performed by			Page	Revision
Checked by				
Date				

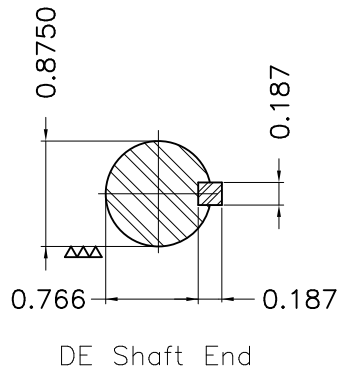
A
B
C
D
E



Center hole
EUNC 3/8"-16 WEG WPR-7309



EUNC 3/8"-16 WEG WPR-7309



1 HP 04 Poles 60 Hz

Mounting NEMA F-1							
Mounting B34R(D)							
ECM	LOC	SUMMARY OF MODIFICATIONS			HYBRISUSER	00	
EXECUTED	HYBRISUSER	EXECUTED	CHECKED	RELEASED	DATE	VER	
CHECKED		SINGLE PH. MOTOR W22 CLOSE COUPLED PUMP JM TYPE FRAME 143JM IP55 TEFC			PREVIEW		
RELEASED		WMO Jaragua do Sul			Product Engineering		
REL. DATE		Product Engineering			SHEET 1 / 1		

