

DATA SHEET

Single Phase Induction Motor - Squirrel Cage



Customer : V.J. PAMENSKY CANADA INC.

Product line : Special Motor

Product code : 19169475

Frame	: 56J	Locked rotor time	: 21 s (hot) 38 s (cold)
Output	: 0.75 HP (0.55 kW)	Temperature rise	: 80 K
Poles	: 2	Duty cycle	: S1
Frequency	: 60 Hz	Ambient temperature	: -20 °C to +40 °C
Rated voltage	: 115/208-230 V	Altitude	: 3280 ft
Rated current	: 6.54/3.75-3.27 A	Protection degree	: IP55
L. R. Amperes	: 54.3/30.0-27.1 A	Cooling method	: IC411 - TEFC
LRC	: 8.3 Code K	Mounting	: F-1/B34R(D)
No load current	: 2.30/0.992-1.15 A	Rotation ¹	: Counter clockwise
Rated speed	: 3510 rpm	Noise level ²	: 68.0 dB(A)
Slip	: 2.50 %	Vibration class	: A
Rated torque	: 1.12 ft.lb	Starting method	: Direct On Line
Locked rotor torque	: 290.0 %	Approx. weight ³	: 28.7 lb
Pull up torque	: 245.0 %	Painting plan	: 207N
Breakdown torque	: 300.0 %	Color	: MUNSELL N 1 - MATTE
Insulation class	: F	Design	: N
Service factor	: 1.15		
Moment of inertia (J)	: 0.0475 sq.ft.lb		

Output	50%	75%	100%	Load type	: -
Efficiency (%)	64.0	72.0	77.0	Load torque	: -
Power Factor	0.94	0.94	0.95	Load inertia (J=GD ² /4)	: -

	Drive end	Non drive end	Foundation loads	
Bearing type #1	6203-2RS	6202-2RS	Max. traction	: -
Bearing type #2	-	-	Max. compression	: -
Lubrication interval	-	-		
Lubricant amount #1	-	-		
Lubricant amount #2	-	-		
Lubricant type	MOBIL POLYREX EM			

Notes
See notes on page 2.

This revision replaces and cancel the previous one, which must be eliminated.
(1) Looking the motor from the shaft end.
(2) Measured at 1m and with tolerance of +3dB(A).
(3) Approximate weight, subject to be changed after manufacturing process.

These are average values based on tests with sinusoidal power supply, subject to the tolerances stipulated in NEMA MG 1-12.

Rev.	Changes Summary	Rev.	Checked	Date
Performed by	farazq		1866247499	
Checked by	AUTOMATICO		Page	Rev.
Date	26/06/2026		1 / 2	0

DATA SHEET

Single Phase Induction Motor - Squirrel Cage



Customer : V.J. PAMENSKY CANADA INC.

Product line : Special Motor

Product code : 19169475

Thermal protection ID

Application

Type

Quantity

Sensing Temperature

Notes

Standards

Specification : MG1 - Part 10
Test : MG1 - Part 12
Noise : MG1 - Part 9

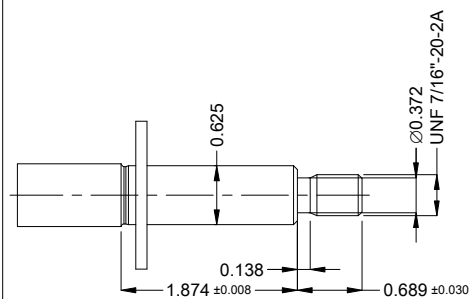
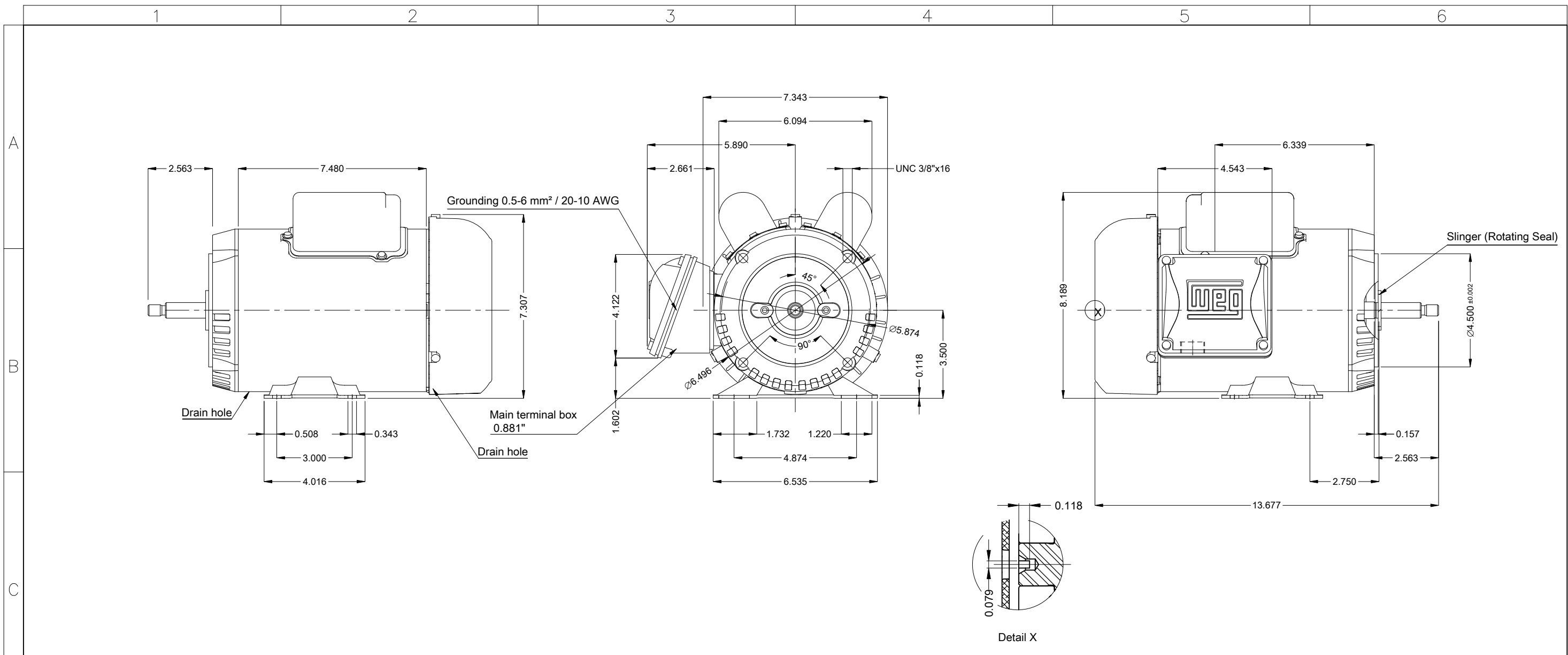
Vibration : MG1 - Part 7
Tolerance : MG1 - Part 12

This revision replaces and cancel the previous one, which must be eliminated.

- (1) Looking the motor from the shaft end.
- (2) Measured at 1m and with tolerance of +3dB(A).
- (3) Approximate weight, subject to be changed after manufacturing process.

These are average values based on tests with sinusoidal power supply, subject to the tolerances stipulated in NEMA MG 1-12.

Rev.	Changes Summary	Rev.	Checked	Date
Performed by	farazq	1866247499		
Checked by	AUTOMATICO	Page	Rev.	
Date	26/06/2026	2 / 2	0	



Reinforce the foot with 2 mig welding spots
Shaft material - stainless steel AISI 304
Fan cover - steel plate
Color Munsell N 1 matte black
Painting plan 207N
Mounting MARKET F-1/B34R(D)
Mounting B34D

0.75 HP 02 Poles 60 Hz						A
Scale 1 : 4						
HYBRISUSER						00
ECM	LOC	SUMMARY OF MODIFICATIONS		EXECUTED	CHECKED	RELEASED
EXECUTED	HYBRISUSER	SINGLE PH. MOTOR ROLLED STEEL JET PUMP THREADED PRELIMINARY		EXECUTED	CHECKED	RELEASED
CHECKED		FRAME 56J IP55 TEFC		EXECUTED	CHECKED	RELEASED
RELEASED				EXECUTED	CHECKED	RELEASED
REL. DATE				EXECUTED	CHECKED	RELEASED
				WDD	00	
				SHEET	1 / 1	

Dimensions in inches

A3