

DATA SHEET



Single Phase Induction Motor - Squirrel Cage

Customer :

Product line : Explosion Proof Single-Phase Product code : 18283581

Frame	: A56EX	Locked rotor time	: 10s (cold) 6s (hot)
Output	: 0.25 HP (0.18 kW)	Temperature rise	: 80 K
Frequency	: 60 Hz	Duty cycle	: Cont.(S1)
Rated voltage	: 115/208-230 V	Ambient temperature	: -20°C to +40°C
Poles	: 4	Altitude	: 1000 m.a.s.l.
Rated current	: 4.40/2.10-2.20 A	Protection degree	: IP44
	: 6.5x(Code P)	Cooling method	: IC411 - TEFC
Rated speed	: 1760 rpm	Mounting	: F-1
Rated torque	: 0.103 kgfm	Rotation ¹	: Both (CW and CCW)
Insulation class	: B	Starting method	: Direct On Line
Service factor	: 1.15	Approx. weight ³	: 13.5 kg
Moment of inertia (J)	: 0.0026 kgm ²		

Output	50%	75%	100%	Foundation loads	
Efficiency (%)	52.0	61.0	64.0	Max. traction	: 3 kgf
Power Factor	0.40	0.49	0.56	Max. compression	: 16 kgf

	Drive end	Non drive end
Bearing type	: 6203 ZZ	: 6203 ZZ
Sealing	: Without Bearing Seal	: Without Bearing Seal
Lubrication interval	: -	: -
Lubricant amount	: -	: -
Lubricant type	: Mobil Polyrex EM	

Notes

This revision replaces and cancel the previous one, which must be eliminated.

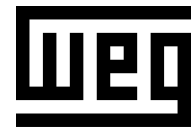
- (1) Looking the motor from the shaft end.
- (2) Measured at 1m and with tolerance of +3dB(A).
- (3) Approximate weight subject to changes after manufacturing process.
- (4) At 100% of full load.

These are average values based on tests with sinusoidal power supply, subject to the tolerances stipulated in NEMA MG-1.

Rev.	Changes Summary	Performed	Checked	Date
Performed by				
Checked by			Page	Revision
Date	15/06/2026		1 / 2	

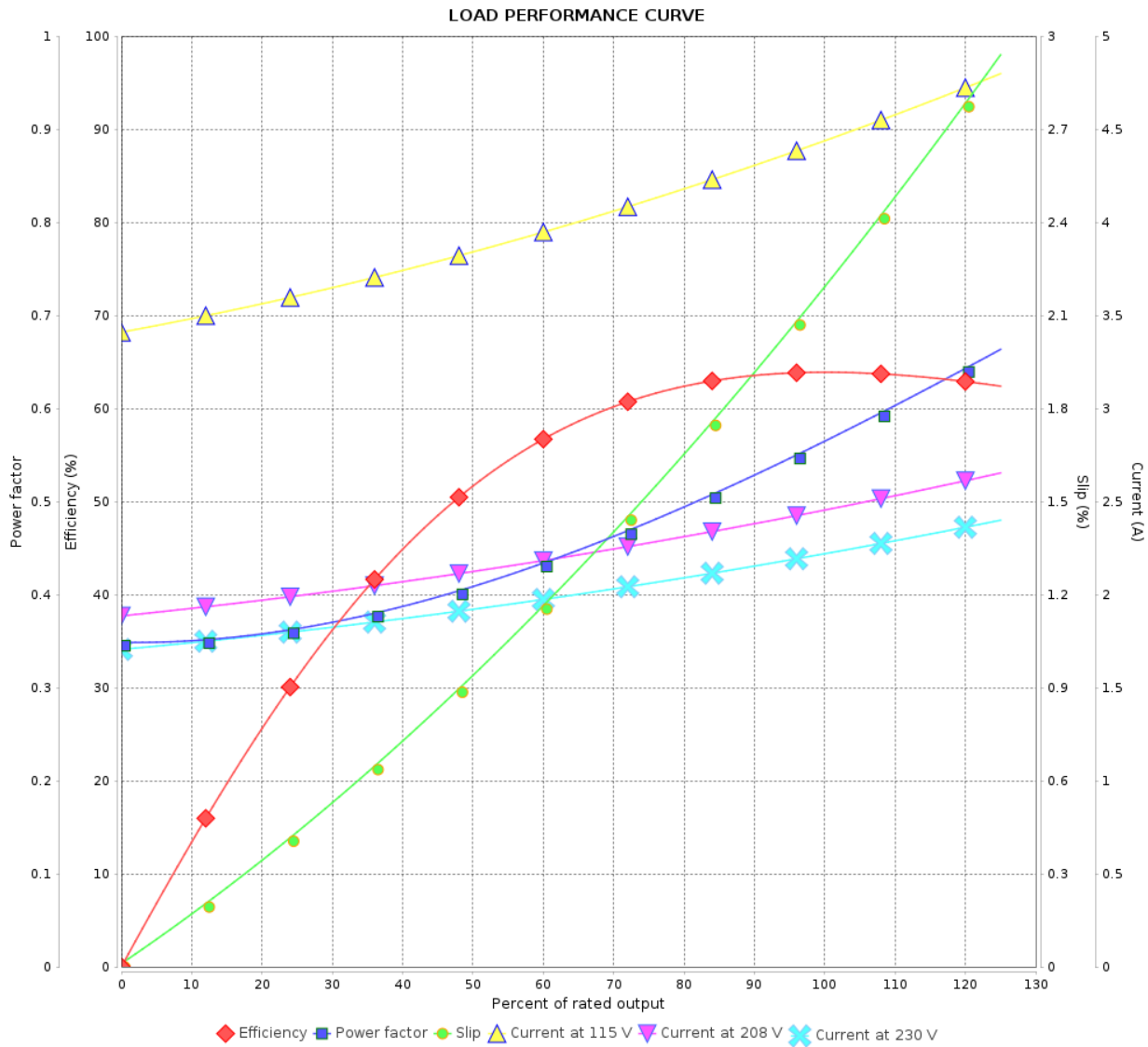
LOAD PERFORMANCE CURVE

Single Phase Induction Motor - Squirrel Cage

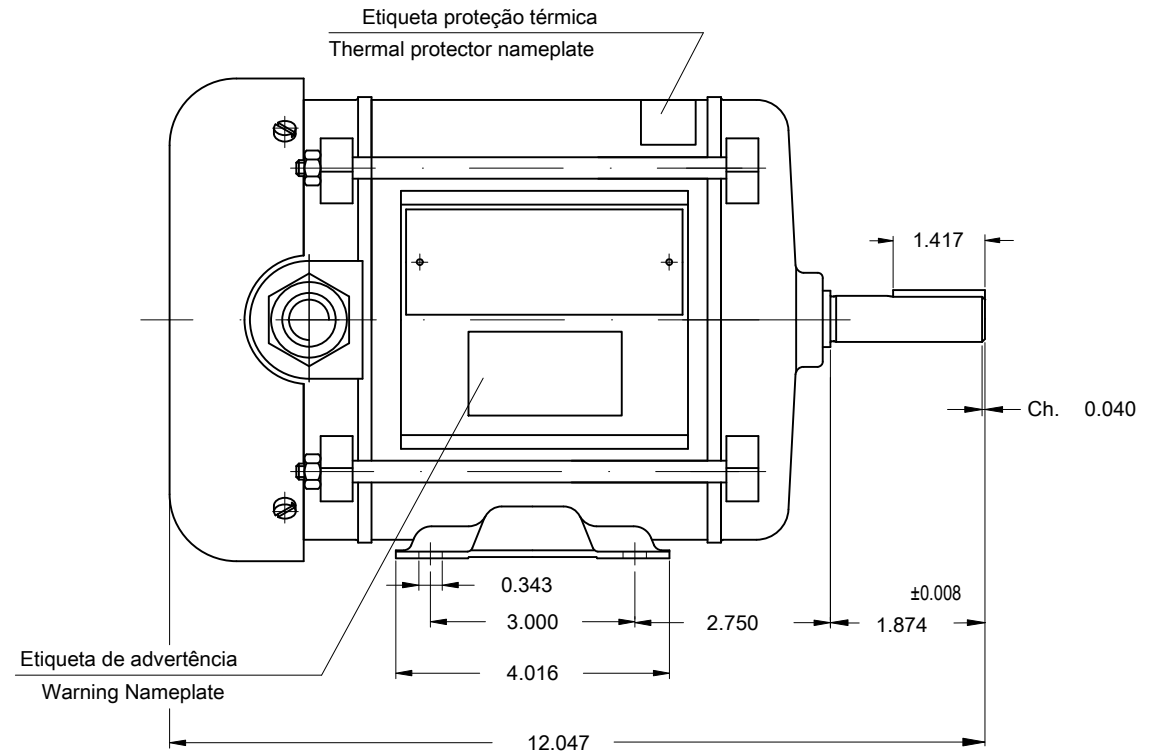
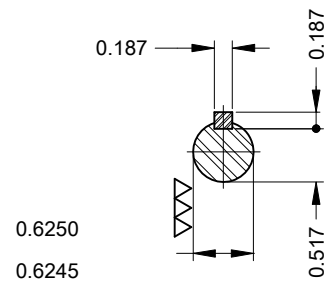
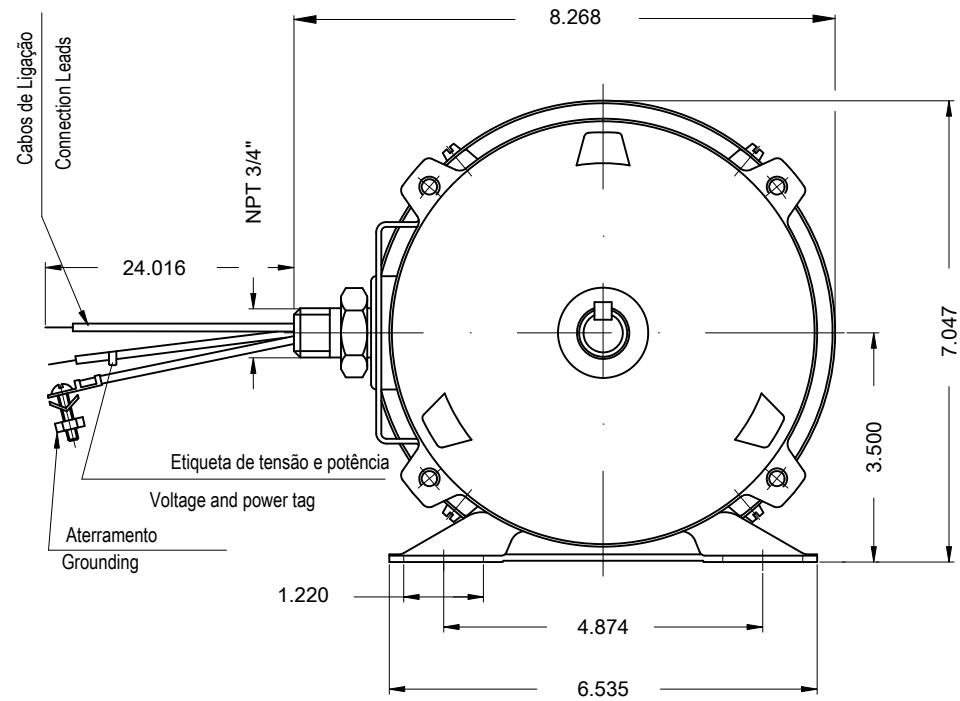


Customer :

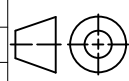
Product line : Explosion Proof Single-Phase Product code : 18283581



Rev.	Changes Summary	Performed	Checked	Date
Performed by			Page 2 / 2	Revision
Checked by				
Date	15/06/2026			



Rotation CW and CCW
 Sealing cement in the leads outlet special
 Mounting NEMA F-1
 Mounting B3R(D)

ECM	LOC	SUMMARY OF MODIFICATIONS	EXECUTED	CHECKED	RELEASED	DATE	VER
EXECUTED	HYBRISUSER	 SINGLE PH. MOTOR EXPLOSION PROOF FRAME A56EX IP44 TEFC					
CHECKED							
RELEASED							
REL. DATE	WMO	Jaragua do Sul	Product Engineering				

1/4 HP 04 Poles 60 Hz

A

PREVIEW
 WDD 00

