

DATA SHEET

Three Phase Induction Motor - Squirrel Cage



Customer	:			
Product line	: Premium Efficiency Three-Phase	Product code :	13484287	
Frame	: 56C	Cooling method	: IC411 - TEFC	
Insulation class	: F	Mounting	: F-1	
Duty cycle	: Cont.(S1)	Rotation ¹	: Both (CW and CCW)	
Ambient temperature	: -20°C to +40°C	Starting method	: Direct On Line	
Altitude	: 1000 m.a.s.l.	Approx. weight ³	: 16.4 kg	
Protection degree	: IP55	Moment of inertia (J)	: 0.0052 kgm ²	
Design	: B			
Output [HP]	1	1	1	
Poles	4	4	4	
Frequency [Hz]	60	50	50	
Rated voltage [V]	230/460	190/380	220/415	
Rated current [A]	2.94/1.47	3.40/1.70	3.09/1.64	
L. R. Amperes [A]	25.3/12.6	22.1/11.0	22.0/11.6	
LRC [A]	8.6x(Code M)	6.5x(Code J)	7.1x(Code K)	
No load current [A]	1.78/0.890	1.76/0.879	1.77/0.938	
Rated speed [RPM]	1765	1450	1455	
Slip [%]	1.94	3.33	3.00	
Rated torque [kgfm]	0.411	0.501	0.499	
Locked rotor torque [%]	280	200	220	
Breakdown torque [%]	300	270	300	
Service factor		1.00	1.00	
Temperature rise	80 K	80 K	80 K	
Locked rotor time	34s (cold) 19s (hot)	32s (cold) 18s (hot)	30s (cold) 17s (hot)	
Noise level ²	52.0 dB(A)	49.0 dB(A)	49.0 dB(A)	
Efficiency (%)	25%	81.0	82.5	81.2
	50%	82.5	82.2	81.5
	75%	84.0	83.7	83.6
	100%	85.5	82.9	83.5
Power Factor	25%	0.30	0.36	0.33
	50%	0.52	0.62	0.58
	75%	0.66	0.74	0.71
	100%	0.75	0.81	0.79
Bearing type	: Drive end : 6204 ZZ	Non drive end : 6202 ZZ	Foundation loads	
Sealing	: V'Ring	Without Bearing Seal	Max. traction : 40 kgf	
Lubrication interval	: -	-	Max. compression : 56 kgf	
Lubricant amount	: -	-		
Lubricant type	: Mobil Polyrex EM			
Notes				
USABLE @208V 3.25A SF 1.00 SFA 3.25A				
This revision replaces and cancel the previous one, which must be eliminated. (1) Looking the motor from the shaft end. (2) Measured at 1m and with tolerance of +3dB(A). (3) Approximate weight subject to changes after manufacturing process. (4) At 100% of full load.		These are average values based on tests with sinusoidal power supply, subject to the tolerances stipulated in NEMA MG-1.		
Rev.	Changes Summary	Performed	Checked	Date
Performed by				
Checked by			Page	Revision
Date	11/05/2022		1 / 4	

LOAD PERFORMANCE CURVE

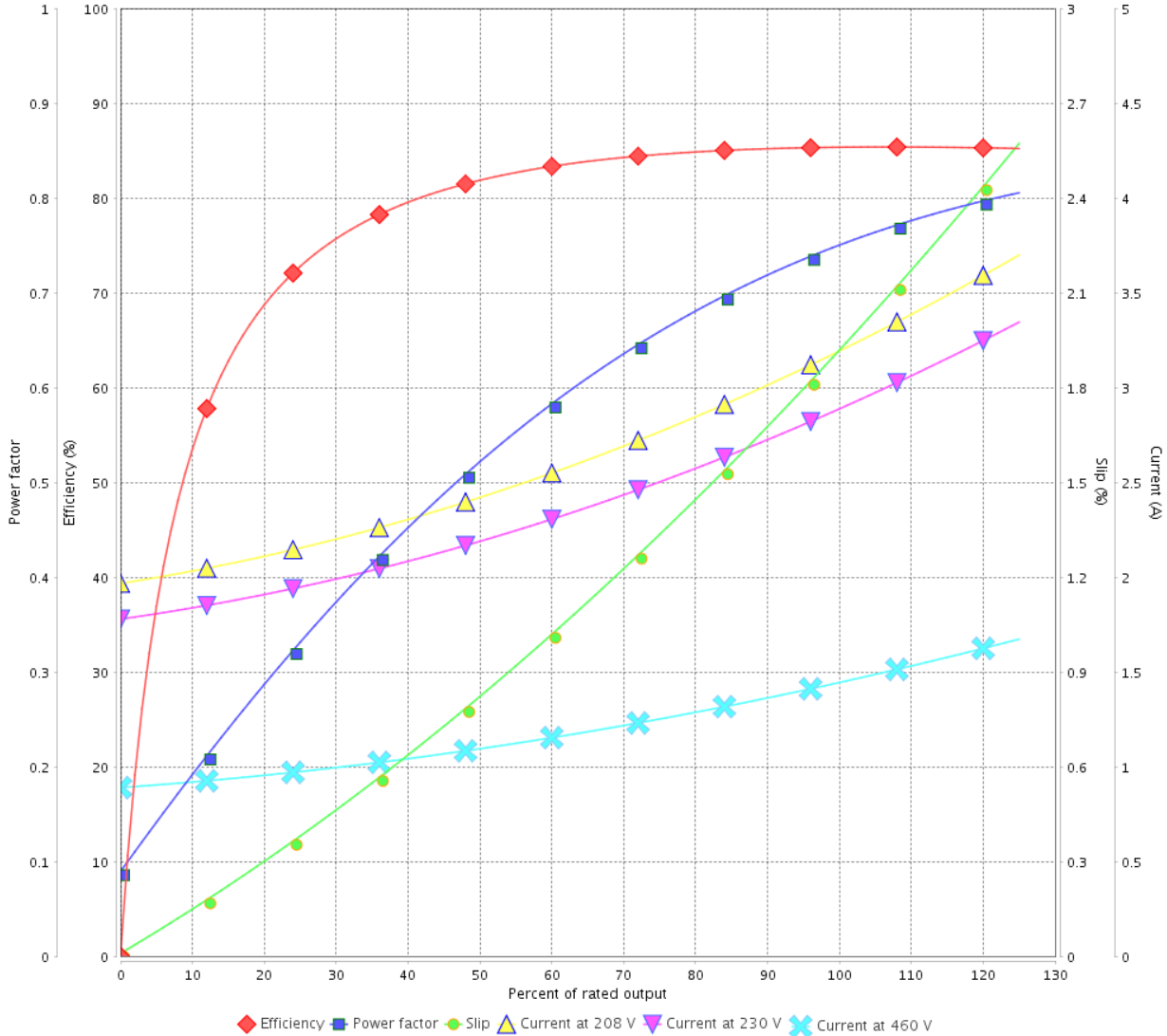
Three Phase Induction Motor - Squirrel Cage



Customer :

Product line : Premium Efficiency Three-Phase Product code : 13484287

LOAD PERFORMANCE CURVE



Performance : 230/460 V 60 Hz 4P

Rated current : 2.94/1.47 A
 LRC : 8.6
 Rated torque : 0.411 kgfm
 Locked rotor torque : 280 %
 Breakdown torque : 300 %
 Rated speed : 1765 rpm

Moment of inertia (J) : 0.0052 kgm²
 Duty cycle : Cont.(S1)
 Insulation class : F
 Service factor :
 Temperature rise : 80 K
 Design : B

Rev.	Changes Summary	Performed	Checked	Date
Performed by			Page	Revision
Checked by				
Date				

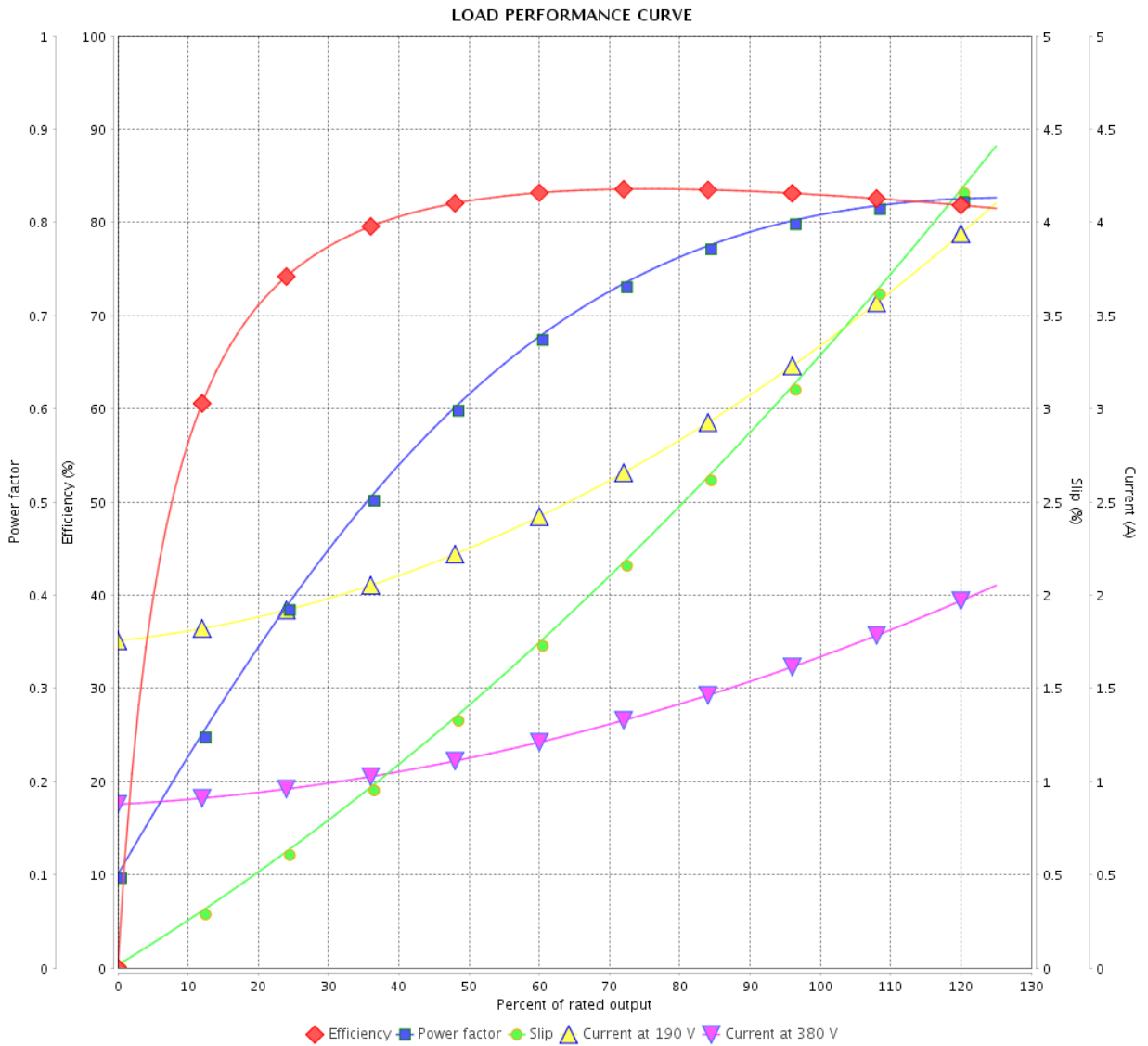
LOAD PERFORMANCE CURVE

Three Phase Induction Motor - Squirrel Cage



Customer : _____

Product line : Premium Efficiency Three-Phase Product code : 13484287



Performance : 190/380 V 50 Hz 4P

Rated current : 3.40/1.70 A
 LRC : 6.5
 Rated torque : 0.501 kgfm
 Locked rotor torque : 200 %
 Breakdown torque : 270 %
 Rated speed : 1450 rpm

Moment of inertia (J) : 0.0052 kgm²
 Duty cycle : Cont.(S1)
 Insulation class : F
 Service factor : 1.00
 Temperature rise : 80 K
 Design : B

Rev.	Changes Summary	Performed	Checked	Date
Performed by			Page	Revision
Checked by				
Date				

LOAD PERFORMANCE CURVE

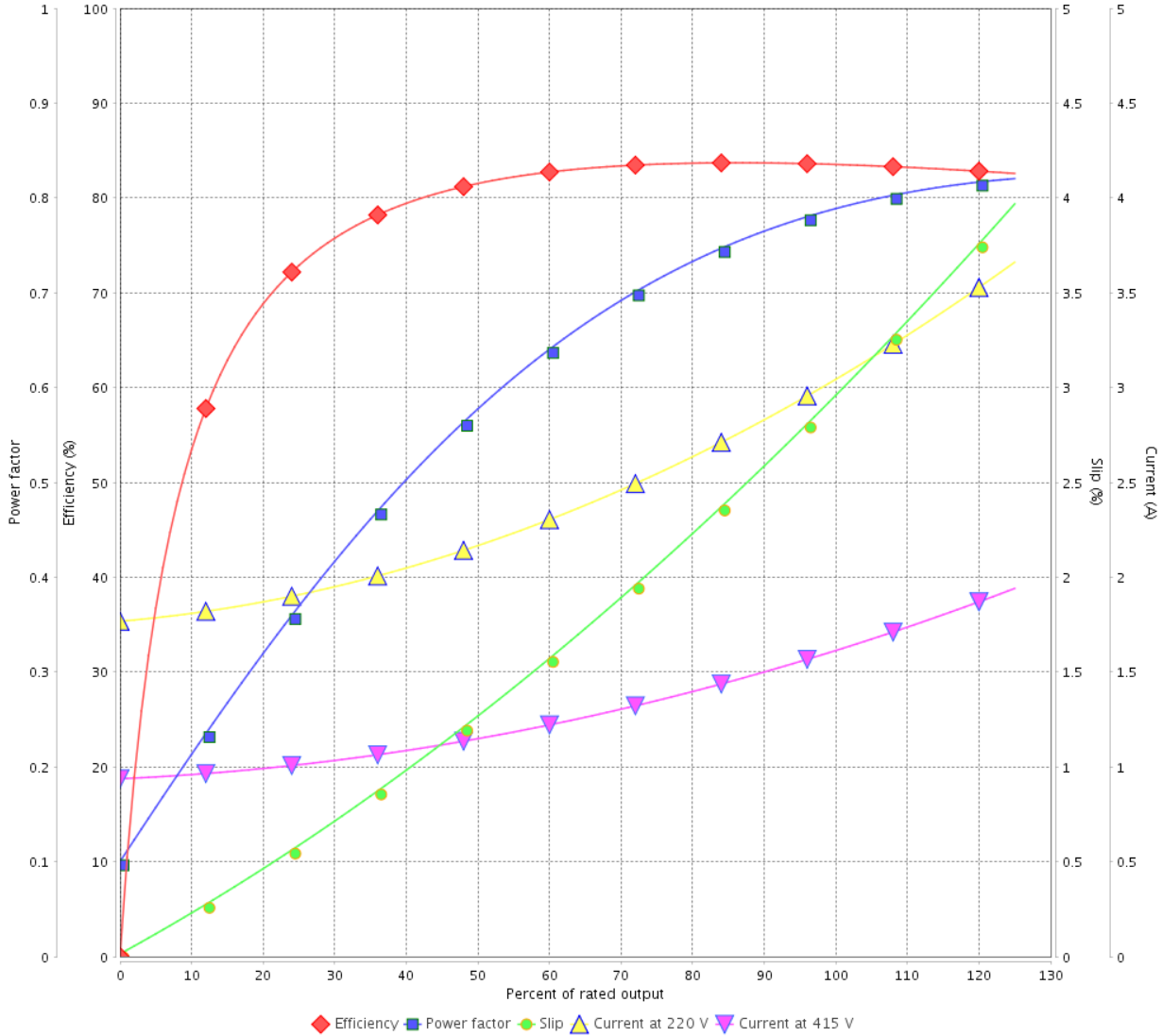
Three Phase Induction Motor - Squirrel Cage



Customer :

Product line : Premium Efficiency Three-Phase Product code : 13484287

LOAD PERFORMANCE CURVE



Performance : 220/415 V 50 Hz 4P

Rated current : 3.09/1.64 A
 LRC : 7.1
 Rated torque : 0.499 kgfm
 Locked rotor torque : 220 %
 Breakdown torque : 300 %
 Rated speed : 1455 rpm

Moment of inertia (J) : 0.0052 kgm²
 Duty cycle : Cont.(S1)
 Insulation class : F
 Service factor : 1.00
 Temperature rise : 80 K
 Design : B

Rev.	Changes Summary	Performed	Checked	Date
Performed by			Page 4 / 4	Revision
Checked by				
Date	11/05/2022			

1 2 3 4 5 6

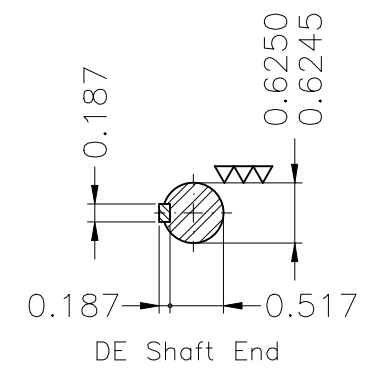
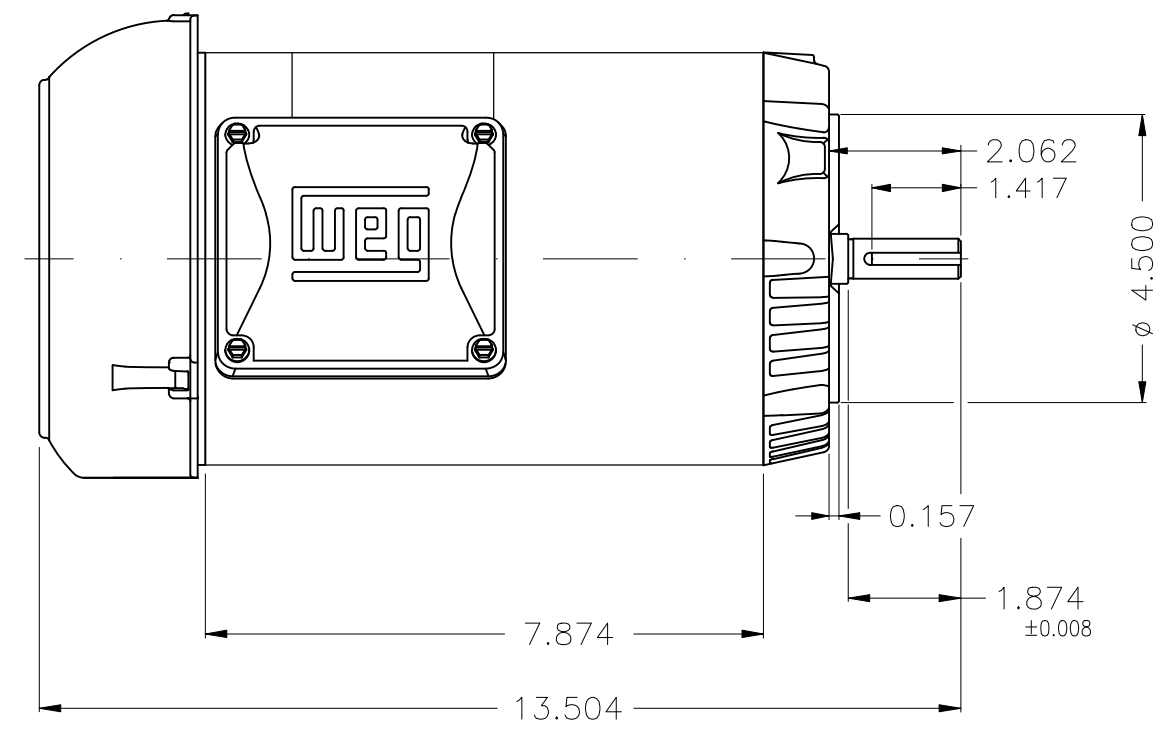
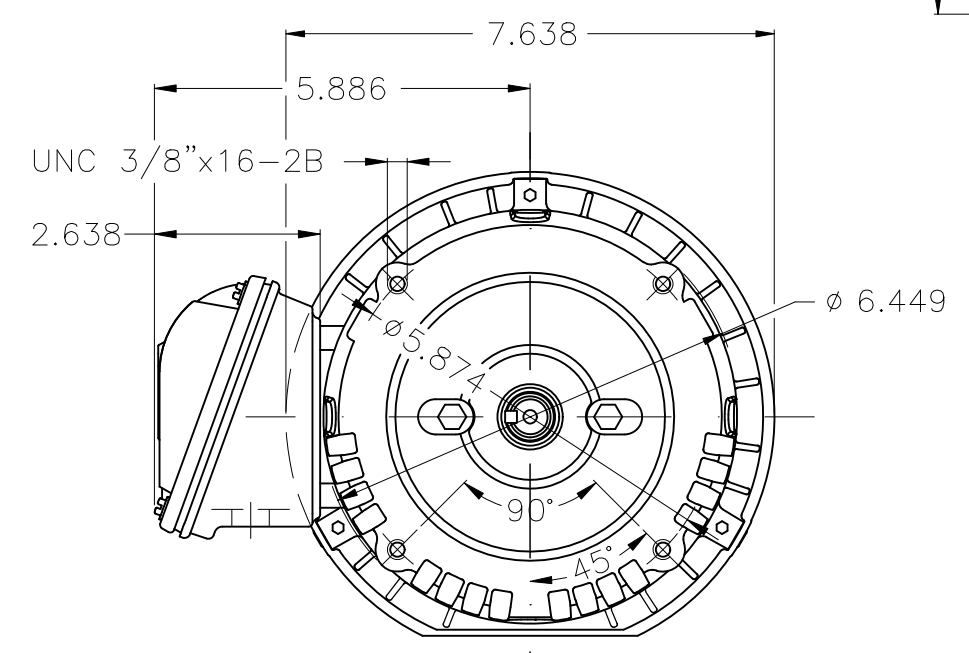
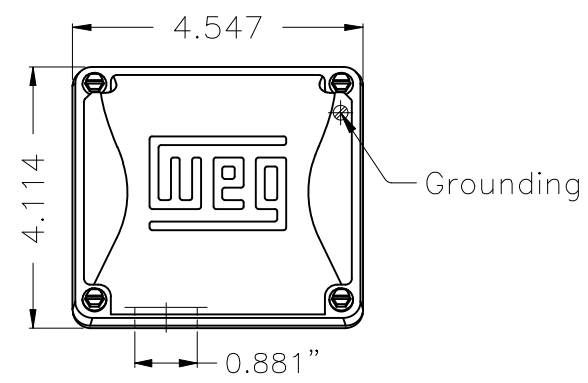
A

B

C

D

E



Color Munsell N 1 matte black
 Painting plan 207N
 Mounting F-1/B14R(D)

ECM	LOC	SUMMARY OF MODIFICATIONS	EXECUTED	CHECKED	RELEASED	DATE	VER
EXECUTED	HYBRISUSER	THREE PH. MOTOR ROLLED STEEL PREM. EFF. FRAME 56C IP55 TEFC					
CHECKED							
RELEASED							
REL. DATE	WMO	Jaragua do Sul	Product Engineering	SHEET 1 / 1			

1 HP 04 Poles 60 Hz

A

PREVIEW
 WDD 00

