

DATA SHEET



Three Phase Induction Motor - Squirrel Cage

Customer :

Product line : W22 P Base NEMA Premium Efficiency Three-Phase Product code : 14139345

Frame	: 404/5HP	Locked rotor time	: 23s (cold) 13s (hot)
Output	: 100 HP (75 kW)	Temperature rise	: 80 K
Poles	: 4	Duty cycle	: Cont.(S1)
Frequency	: 60 Hz	Ambient temperature	: -20°C to +40°C
Rated voltage	: 575 V	Altitude	: 1000 m.a.s.l.
Rated current	: 90.4 A	Protection degree	: IP55
L. R. Amperes	: 660 A	Cooling method	: IC411 - TEFC
LRC	: 7.3x(Code H)	Mounting	: W-6
No load current	: 30.4 A	Rotation ¹	: Both (CW and CCW)
Rated speed	: 1780 rpm	Noise level ²	: 68.0 dB(A)
Slip	: 1.11 %	Starting method	: Direct On Line
Rated torque	: 40.8 kgfm	Approx. weight ³	: 543 kg
Locked rotor torque	: 240 %		
Breakdown torque	: 260 %		
Insulation class	: F		
Service factor	: 1.25		
Moment of inertia (J)	: 1.26 kgm ²		
Design	: B		

Output	25%	50%	75%	100%	Foundation loads
Efficiency (%)	0.000	95.0	95.0	95.4	Max. traction
Power Factor	0.00	0.77	0.84	0.87	Max. compression

Losses at normative operating points (speed;torque), in percentage of rated output power

P1 (0,9;1,0)	P2 (0,5;1,0)	P3 (0,25;1,0)	P4 (0,9;0,5)	P5 (0,5;0,5)	P6 (0,5;0,25)	P7 (0,25;0,25)
4.7	3.8	3.7	2.2	1.5	0.9	0.6

		<u>Drive end</u>	<u>Non drive end</u>
Bearing type	:	6316 C3	6314 C3
Sealing	:	Lip Seal	Lip Seal
Lubrication interval	:	5000 h	6000 h
Lubricant amount	:	34 g	27 g
Lubricant type	:	Mobil Polyrex EM	

Notes

This revision replaces and cancel the previous one, which must be eliminated.

- (1) Looking the motor from the shaft end.
- (2) Measured at 1m and with tolerance of +3dB(A).
- (3) Approximate weight subject to changes after manufacturing process.
- (4) At 100% of full load.

These are average values based on tests with sinusoidal power supply, subject to the tolerances stipulated in NEMA MG-1.

Rev.	Changes Summary	Performed	Checked	Date
Performed by				
Checked by			Page	Revision
Date	27/10/2024		1 / 2	

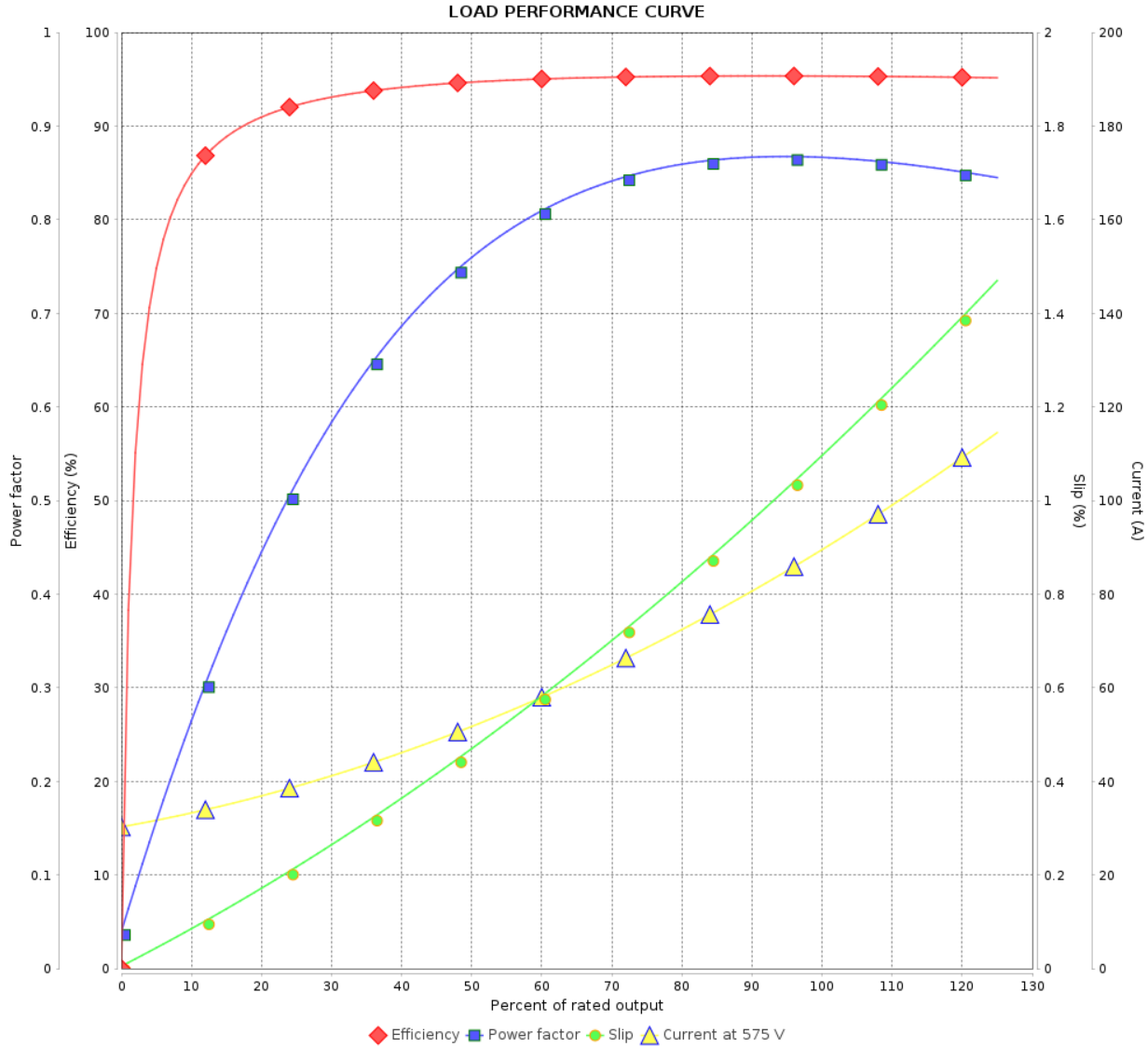
LOAD PERFORMANCE CURVE

Three Phase Induction Motor - Squirrel Cage



Customer :

Product line : W22 P Base NEMA Premium Efficiency Three-Phase Product code : 14139345



Performance : 575 V 60 Hz 4P

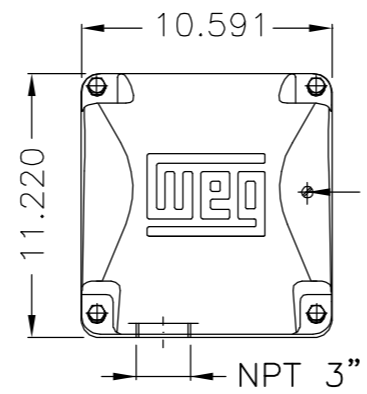
Rated current	: 90.4 A	Moment of inertia (J)	: 1.26 kgm ²
LRC	: 7.3	Duty cycle	: Cont.(S1)
Rated torque	: 40.8 kgfm	Insulation class	: F
Locked rotor torque	: 240 %	Service factor	: 1.25
Breakdown torque	: 260 %	Temperature rise	: 80 K
Rated speed	: 1780 rpm	Design	: B

Rev.	Changes Summary	Performed	Checked	Date
Performed by			Page 2 / 2	Revision
Checked by				
Date	27/10/2024			

EIXO/SHAFT		Dimensões em polegada Dimensions in inches
PADRÃO/STANDARD	X	
OPCIONAL/OPTIONAL		
ESPECIAL/SPECIAL		

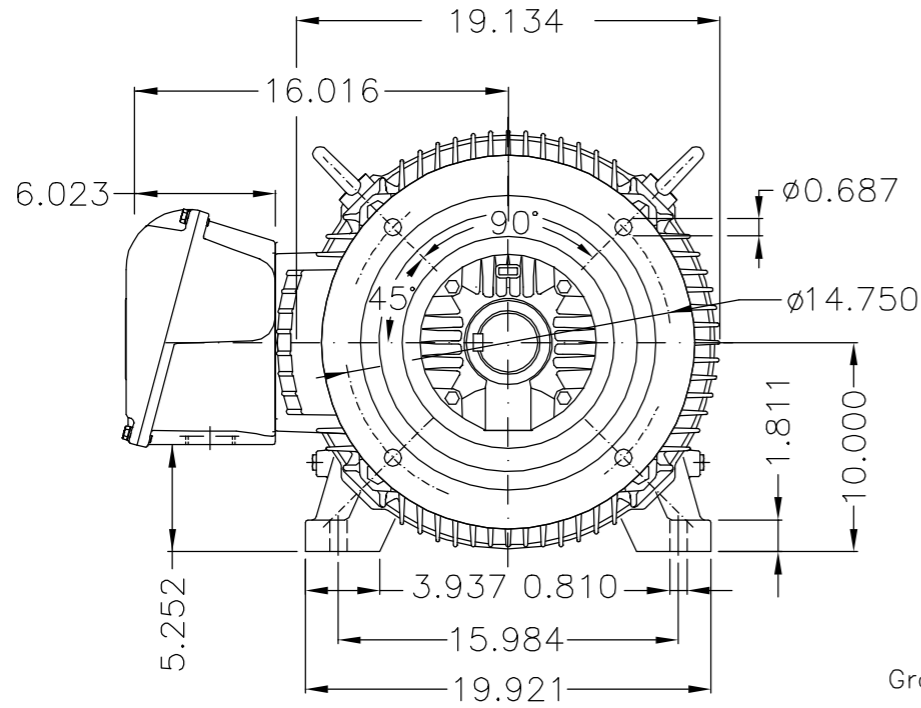
CERTIFIED WEG MOTORES
Certified document.
Not subject to changes.

THIS IS AN UPDATED REVISION, THE PREVIOUS ONE MUST BE DISREGARDED.

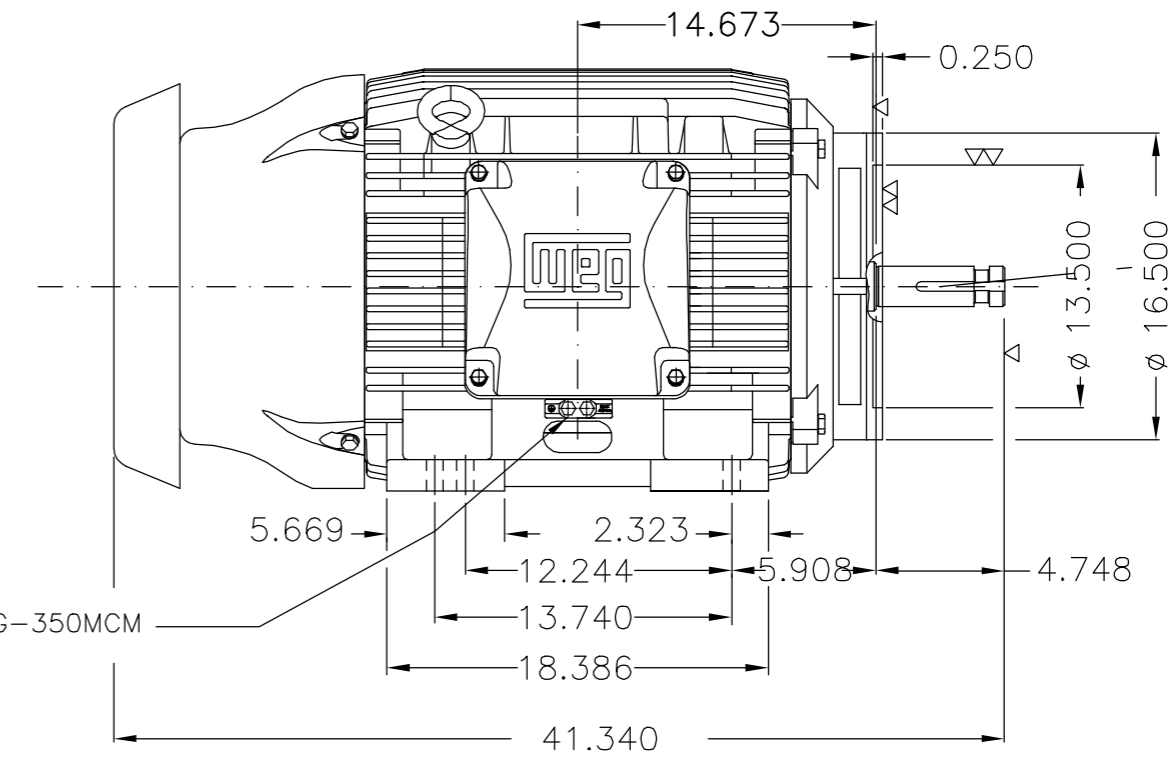


Main terminal box

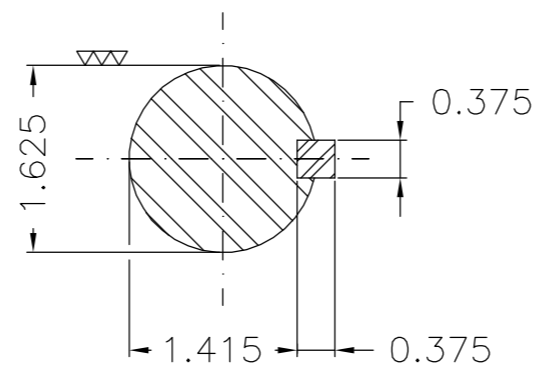
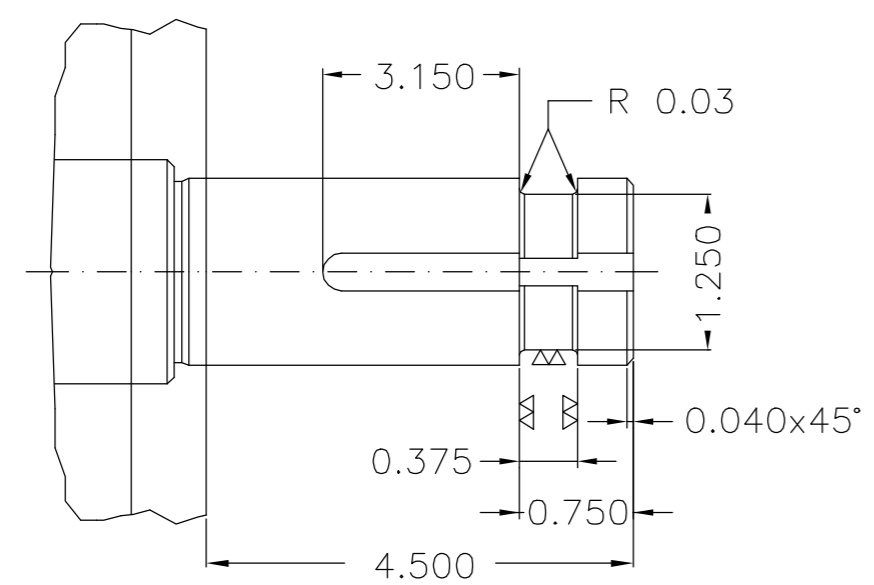
Grounding for leads 25–50 mm² / 3–1 AWG



Grounding for leads 25–185 mm² / 3AWG–350MCM



Center hole
DUNC 5/8"–11 WEG TBG12



Cor RAL 5009 / Color RAL 5009
Plano de pintura 203A / Painting plan 203A
Forma construtiva NEMA W-6 / Mounting NEMA W-6
Forma construtiva V15D / Mounting V15R(D)
V.J. PAMENSKY CANADA INC.

500002112052		ALT CONFORME 418239887	CLAUDEMIRR	JACKSONDC	JACKSONDC	13.04.2022	02
500001533404		ALTERADO CONFORME CLAIM 415372700	RBOECK	CLEBERP	CLEBERP	05.03.2019	01
ECM	LOC	SUMMARY OF MODIFICATIONS	EXECUTED	CHECKED	RELEASED	DATE	VER
EXECUTED	DVEGINI	THREE PHASE W22 P-BASE MOTOR PREMIUM EFF FRAME 404/5HP IP55 TEFC P. BASE	10005154168				
CHECKED	NSCHMIDT		000	02			
RELEASED	NSCHMIDT						
REL DT	28.08.2017	WMO Jaragua do Sul	Product Engineering	SHEET	1 / 1		

100 HP 04 Poles 60Hz 414778433/0

UNCONTROLLED COPY

RELEASED

ZME A3