

# DATA SHEET

## Three Phase Induction Motor - Squirrel Cage



Customer :				
Product line	: Three-Phase	Product code :	13997117	
Frame	: 56HC	Cooling method	: IC01 - ODP	
Insulation class	: F	Mounting	: F-1	
Duty cycle	: Cont.(S1)	Rotation <sup>1</sup>	: Both (CW and CCW)	
Ambient temperature	: -20°C to +40°C	Starting method	: Direct On Line	
Altitude	: 1000 m.a.s.l.	Approx. weight <sup>3</sup>	: 18.0 kg	
Design	: A	Moment of inertia (J)	: 0.0054 kgm <sup>2</sup>	
Output [HP]	3			
Poles	2			
Frequency [Hz]	60			
Rated voltage [V]	575			
Rated current [A]	2.87			
L. R. Amperes [A]	23.0			
LRC [A]	8.0x(Code J)			
No load current [A]	1.04			
Rated speed [RPM]	3480			
Slip [%]	3.33			
Rated torque [kgfm]	0.626			
Locked rotor torque [%]	229			
Breakdown torque [%]	300			
Service factor	1.15			
Temperature rise	80 K			
Locked rotor time	16s (cold) 9s (hot)			
Noise level <sup>2</sup>	62.0 dB(A)			
Efficiency (%)	25%			
	50%	84.0		
	75%	85.5		
	100%	85.5		
Power Factor	25%			
	50%	0.76		
	75%	0.86		
	100%	0.90		
Bearing type	: <u>Drive end</u> 6204 ZZ	<u>Non drive end</u> 6202 ZZ	Foundation loads	
Sealing	: Without	Without	Max. traction : 51 kgf	
	Bearing Seal	Bearing Seal	Max. compression : 69 kgf	
Lubrication interval	: -	-		
Lubricant amount	: -	-		
Lubricant type	: Mobil Polyrex EM			
Notes				
This revision replaces and cancel the previous one, which must be eliminated. (1) Looking the motor from the shaft end. (2) Measured at 1m and with tolerance of +3dB(A). (3) Approximate weight subject to changes after manufacturing process. (4) At 100% of full load.		These are average values based on tests with sinusoidal power supply, subject to the tolerances stipulated in NEMA MG-1.		
Rev.	Changes Summary	Performed	Checked	Date
Performed by				
Checked by			Page	Revision
Date	11/05/2022		1 / 2	

# LOAD PERFORMANCE CURVE

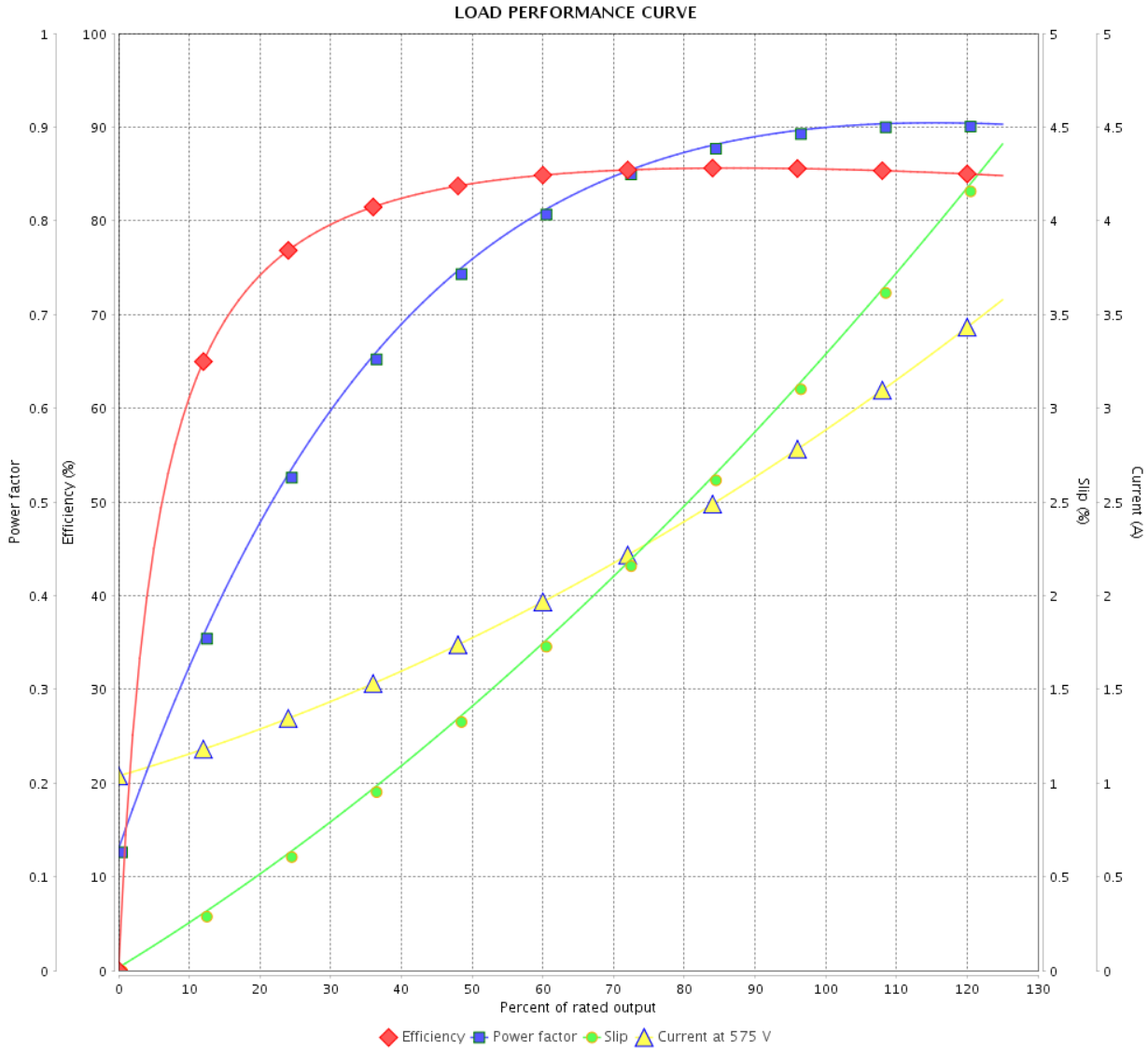
Three Phase Induction Motor - Squirrel Cage



Customer :

Product line : Three-Phase

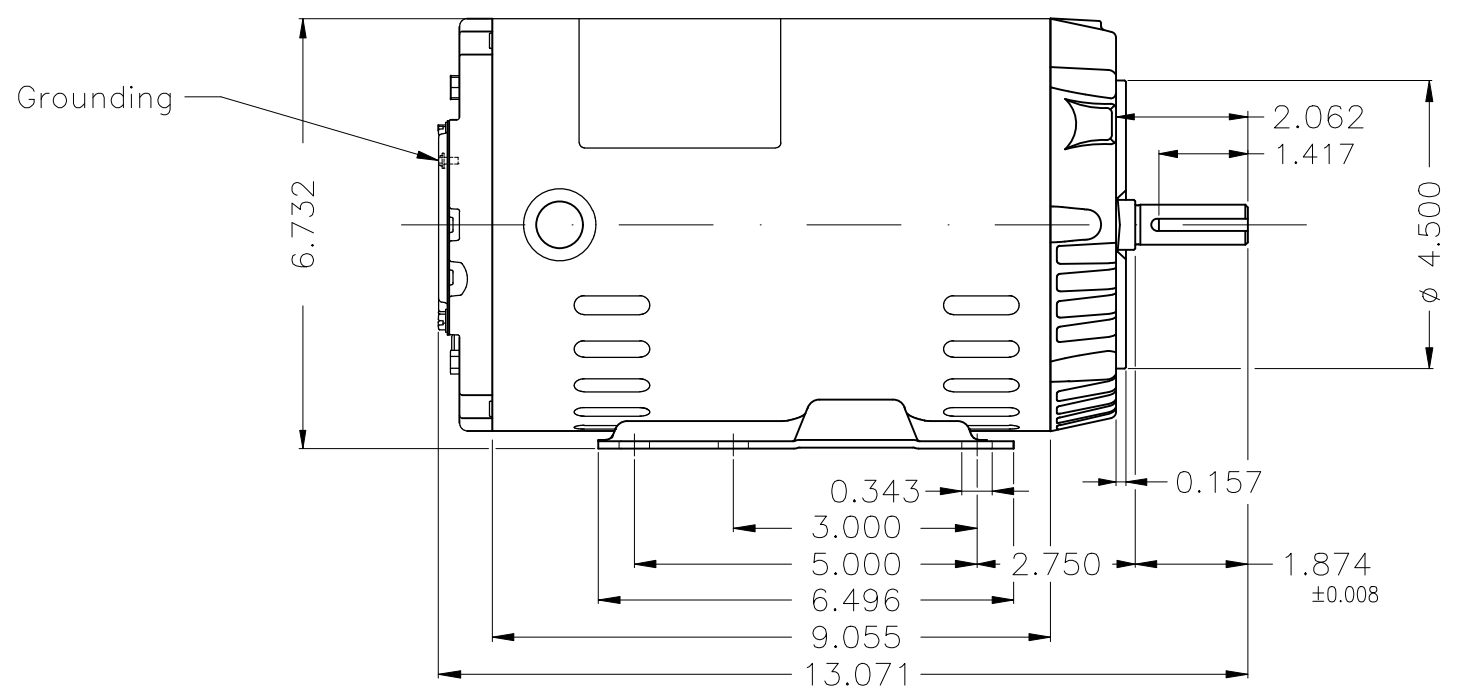
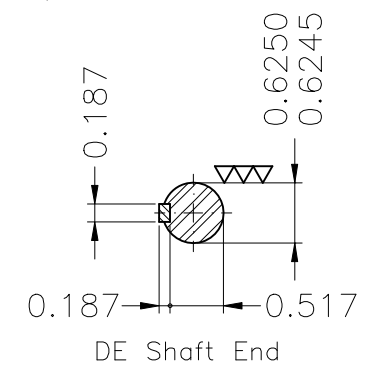
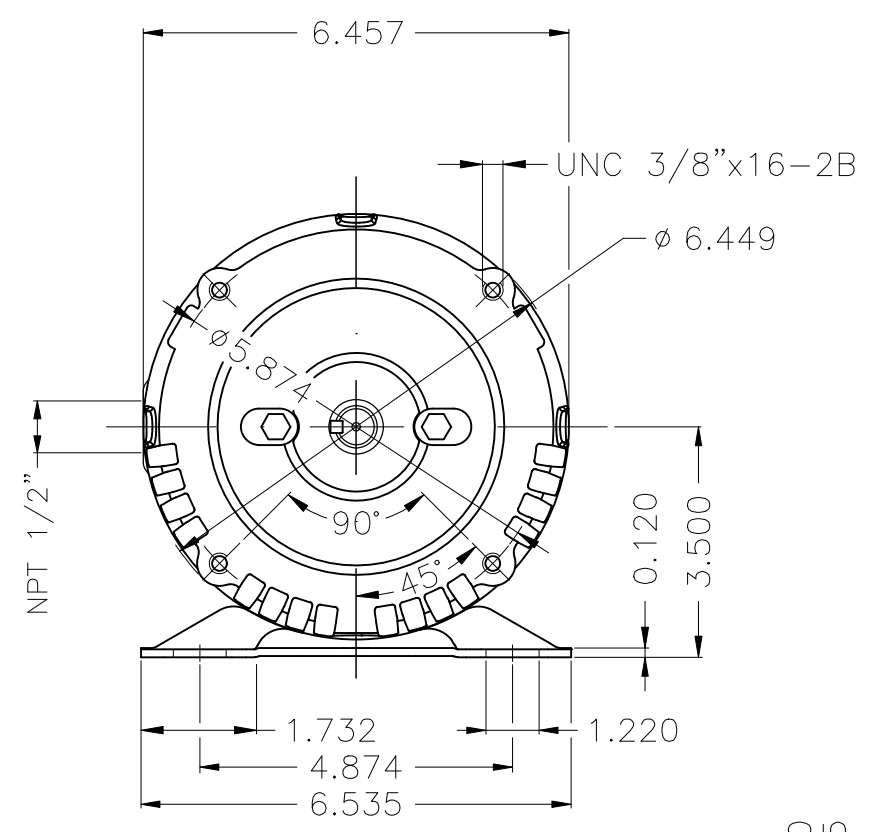
Product code : 13997117



Performance : 575 V 60 Hz 2P

Rated current	: 2.87 A	Moment of inertia (J)	: 0.0054 kgm <sup>2</sup>
LRC	: 8.0	Duty cycle	: Cont.(S1)
Rated torque	: 0.626 kgfm	Insulation class	: F
Locked rotor torque	: 229 %	Service factor	: 1.15
Breakdown torque	: 300 %	Temperature rise	: 80 K
Rated speed	: 3480 rpm	Design	: A

Rev.	Changes Summary	Performed	Checked	Date
Performed by			Page 2 / 2	Revision
Checked by				
Date	11/05/2022			



Color Munsell N 1 matte black									
Painting plan 207N									
Mounting B34D									
					HYBRISUSER	00			
ECM	LOC	SUMMARY OF MODIFICATIONS			EXECUTED	CHECKED	RELEASED	DATE	VER
EXECUTED	HYBRISUSER	THREE PH. MOTOR ROLLED STEEL PREM. EFF.				PREVIEW			
CHECKED		FRAME 56HC IP21 ODP				WDD	00		
RELEASED						SHEET	1 / 1		
REL. DATE		WMO	Jaragua do Sul	Product Engineering					

3 HP 02 Poles 60 Hz

A