

# DATA SHEET

## Three Phase Induction Motor - Squirrel Cage



Customer :				
Product line : Three-Phase	Product code : 13997115			
Frame : 56HC Insulation class : F Duty cycle : Cont.(S1) Ambient temperature : -20°C to +40°C Altitude : 1000 m.a.s.l. Design : A	Cooling method : IC01 - ODP Mounting : F-1 Rotation <sup>1</sup> : Both (CW and CCW) Starting method : Direct On Line Approx. weight <sup>2</sup> : 18.1 kg Moment of inertia (J) : 0.0054 kgm <sup>2</sup>			
Output [HP]	3			
Poles	2			
Frequency [Hz]	60			
Rated voltage [V]	230/460			
Rated current [A]	7.18/3.59			
L. R. Amperes [A]	57.4/28.7			
LRC [A]	8.0x(Code J)			
No load current [A]	2.60/1.30			
Rated speed [RPM]	3480			
Slip [%]	3.33			
Rated torque [kgfm]	0.626			
Locked rotor torque [%]	229			
Breakdown torque [%]	300			
Service factor	1.00			
Temperature rise	80 K			
Locked rotor time	16s (cold) 9s (hot)			
Noise level <sup>2</sup>	62.0 dB(A)			
Efficiency (%)	25%			
	50%			
	75%			
	100%			
Power Factor	25%			
	50%			
	75%			
	100%			
Bearing type : <u>Drive end</u> 6204 ZZ <u>Non drive end</u> 6202 ZZ Sealing : Without Without Bearing Seal Bearing Seal Lubrication interval : - - Lubricant amount : - - Lubricant type : Mobil Polyrex EM	Foundation loads Max. traction : 57 kgf Max. compression : 75 kgf			
Notes USABLE @208V 7.94A SF 1.00 SFA 7.94A				
This revision replaces and cancel the previous one, which must be eliminated. (1) Looking the motor from the shaft end. (2) Measured at 1m and with tolerance of +3dB(A). (3) Approximate weight subject to changes after manufacturing process. (4) At 100% of full load.				
These are average values based on tests with sinusoidal power supply, subject to the tolerances stipulated in NEMA MG-1.				
Rev.	Changes Summary	Performed	Checked	Date
Performed by				
Checked by				
Date	11/05/2022		Page 1 / 4	Revision

# LOAD PERFORMANCE CURVE

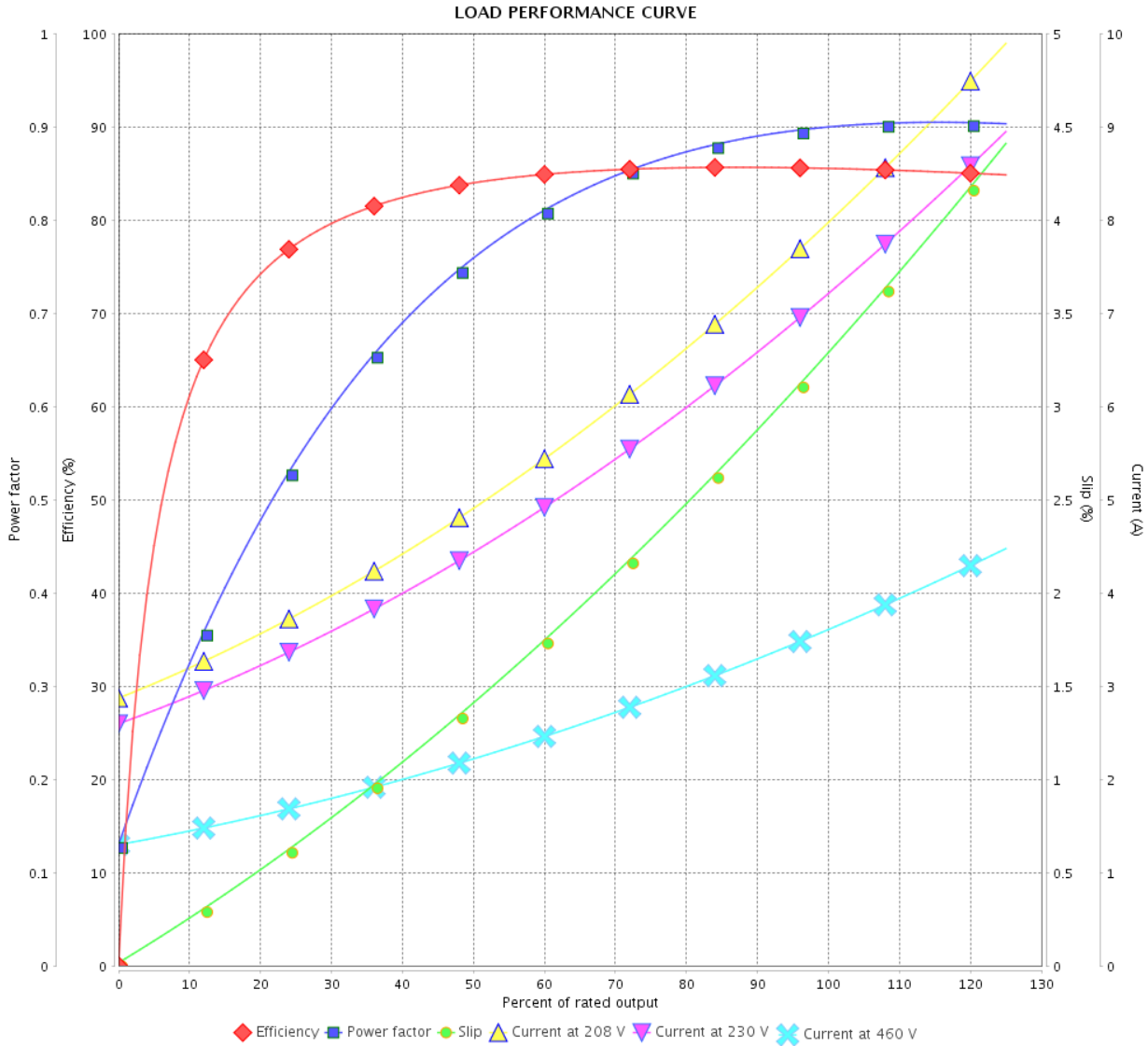
Three Phase Induction Motor - Squirrel Cage



Customer : \_\_\_\_\_

Product line : Three-Phase

Product code : 13997115



Performance : 230/460 V 60 Hz 2P

Rated current : 7.18/3.59 A  
 LRC : 8.0  
 Rated torque : 0.626 kgfm  
 Locked rotor torque : 229 %  
 Breakdown torque : 300 %  
 Rated speed : 3480 rpm

Moment of inertia (J) : 0.0054 kgm<sup>2</sup>  
 Duty cycle : Cont.(S1)  
 Insulation class : F  
 Service factor :  
 Temperature rise : 80 K  
 Design : A

Rev.	Changes Summary	Performed	Checked	Date
Performed by			Page	Revision
Checked by				
Date				

# LOAD PERFORMANCE CURVE

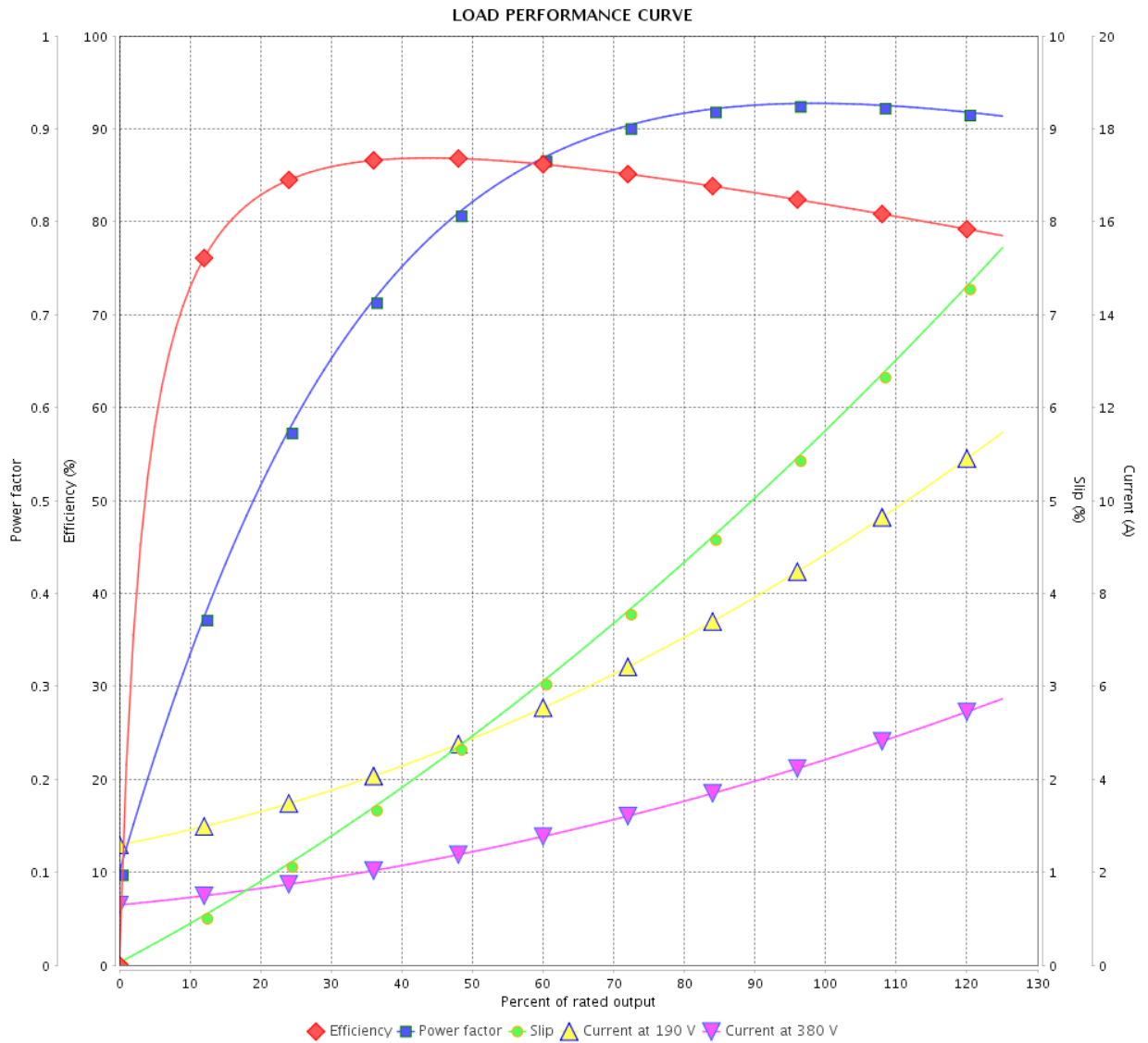
Three Phase Induction Motor - Squirrel Cage



Customer : \_\_\_\_\_

Product line : Three-Phase

Product code : 13997115



Performance : 190/380 V 50 Hz 2P

Rated current : 8.78/4.39 A  
 LRC : 6.1  
 Rated torque : 0.771 kgfm  
 Locked rotor torque : 190 %  
 Breakdown torque : 229 %  
 Rated speed : 2825 rpm

Moment of inertia (J) : 0.0054 kgm<sup>2</sup>  
 Duty cycle : Cont.(S1)  
 Insulation class : F  
 Service factor : 1.00  
 Temperature rise : 105 K  
 Design : A

Rev.	Changes Summary	Performed	Checked	Date
Performed by			Page	Revision
Checked by				
Date				
			3 / 4	

# LOAD PERFORMANCE CURVE

Three Phase Induction Motor - Squirrel Cage

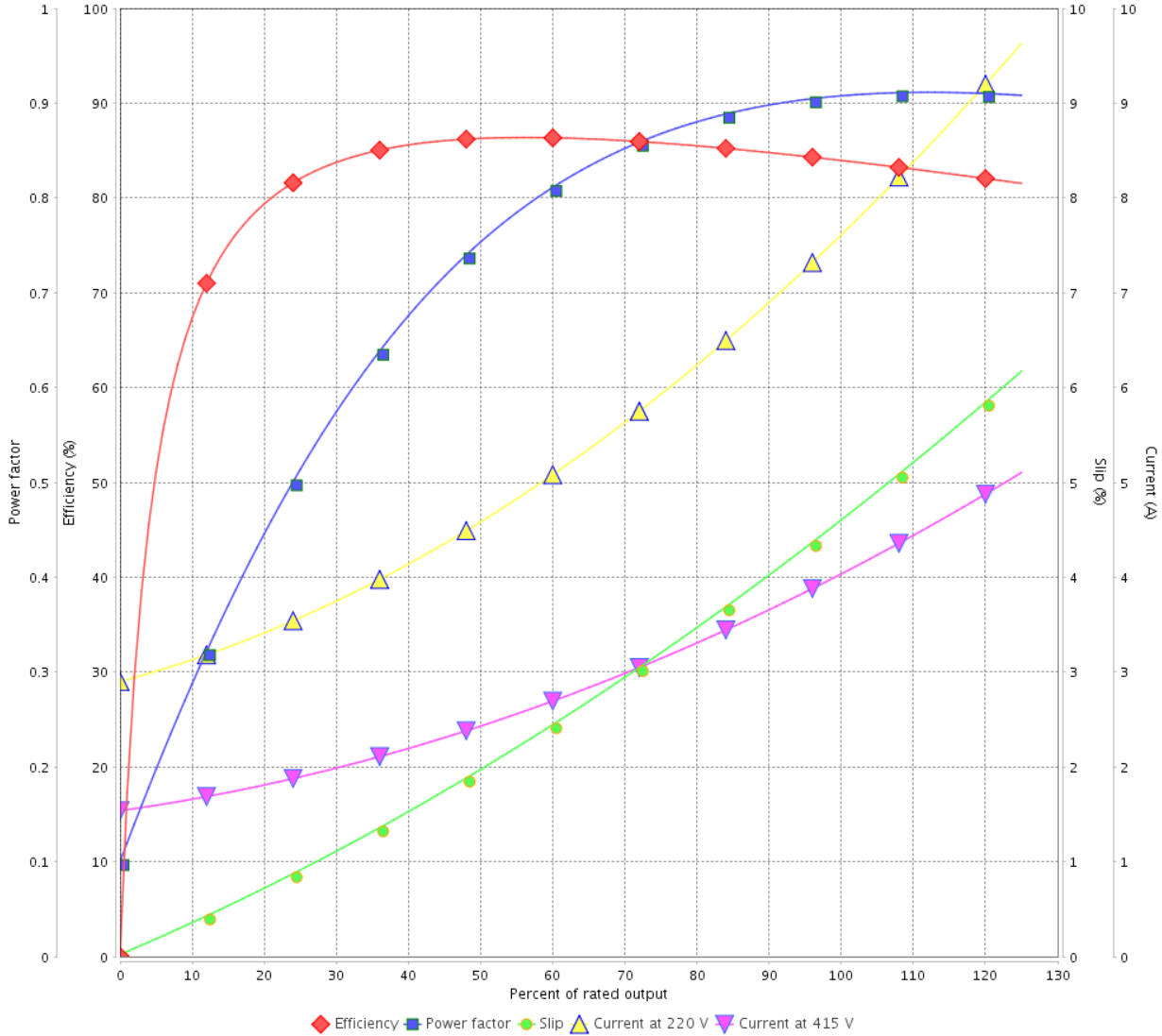


Customer :

Product line : Three-Phase

Product code : 13997115

LOAD PERFORMANCE CURVE

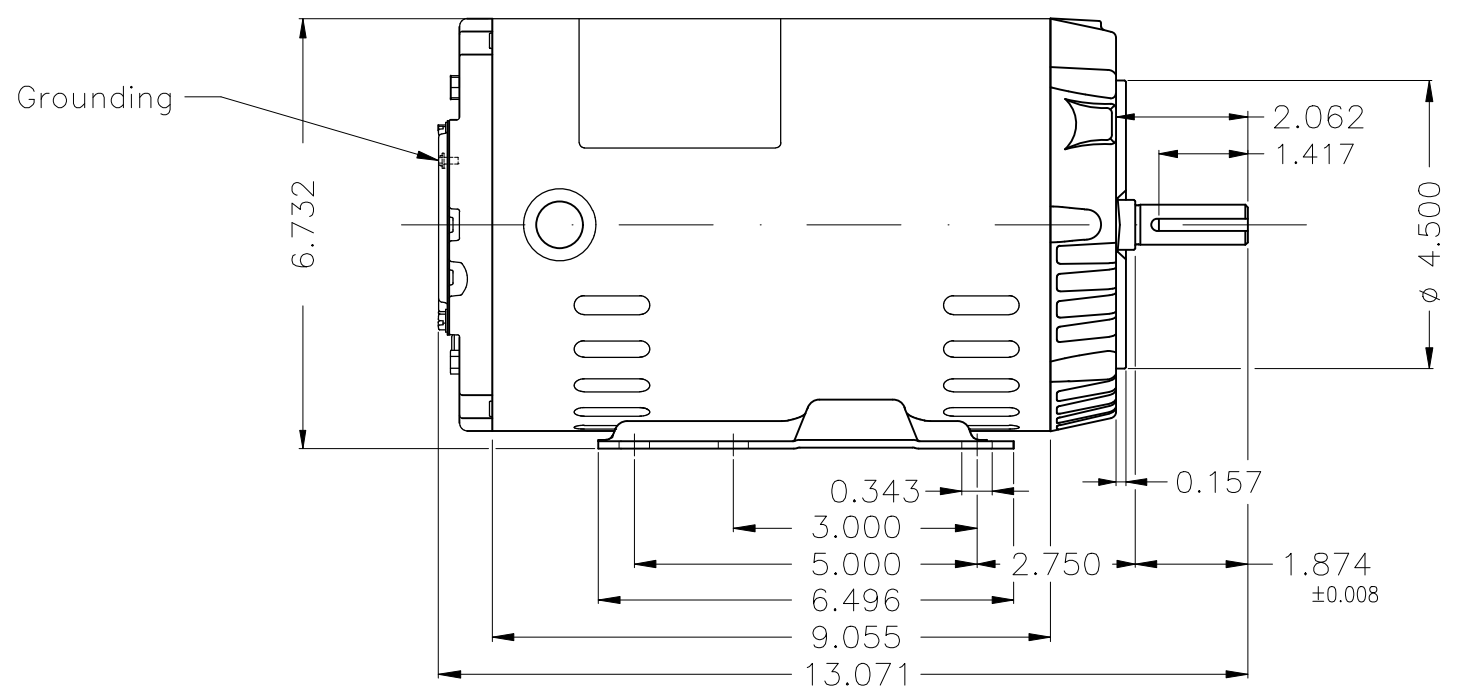
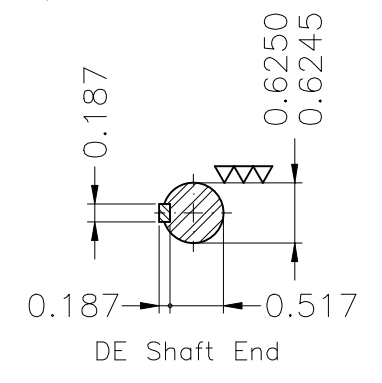
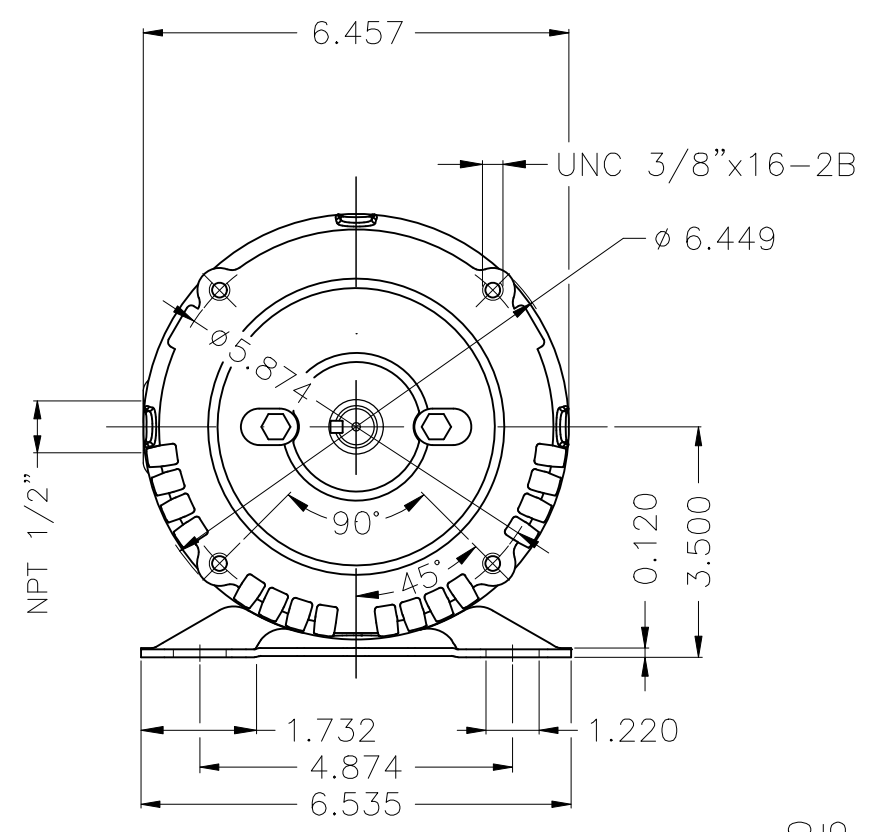


Performance : 220/415 V 50 Hz 2P

Rated current : 7.56/4.01 A  
 LRC : 7.4  
 Rated torque : 0.761 kgfm  
 Locked rotor torque : 240 %  
 Breakdown torque : 270 %  
 Rated speed : 2860 rpm

Moment of inertia (J) : 0.0054 kgm<sup>2</sup>  
 Duty cycle : Cont.(S1)  
 Insulation class : F  
 Service factor : 1.00  
 Temperature rise : 105 K  
 Design : A

Rev.	Changes Summary	Performed	Checked	Date
Performed by			Page 4 / 4	Revision
Checked by				
Date	11/05/2022			



Color Munsell N 1 matte black						
Painting plan 207N						
Mounting B34D						
					HYBRISUSER	00
ECM	LOC	SUMMARY OF MODIFICATIONS		EXECUTED	CHECKED	RELEASED DATE VER
EXECUTED	HYBRISUSER	THREE PH. MOTOR ROLLED STEEL PREM. EFF.				
CHECKED		FRAME 56HC IP21 ODP				
RELEASED						
REL. DATE	WMO	Jaragua do Sul	Product Engineering	PREVIEW	WDD	00
				SHEET	1 / 1	

3 HP 02 Poles 60 Hz

A



Dimensions in inches XME A3