

DATA SHEET

Single Phase Induction Motor - Squirrel Cage



Customer	:			
Product line	: Single-Phase	Product code : 13997455		
Frame	: 56C	Cooling method : IC01 - ODP		
Insulation class	: F	Mounting : F-1		
Duty cycle	: Cont.(S1)	Rotation ¹ : Both (CW and CCW)		
Ambient temperature	: -20°C to +40°C	Starting method : Direct On Line		
Altitude	: 1000 m.a.s.l.	Approx. weight ³ : 16.5 kg		
Design	: L	Moment of inertia (J) : 0.0027 kgm ²		
Output [HP]		1.5		
Poles		2		
Frequency [Hz]		60		
Rated voltage [V]		115/208-230		
Rated current [A]		13.3/6.90-6.65		
L. R. Amperes [A]		102/53.1-51.2		
LRC [A]		7.7x(Code J)		
No load current [A]		3.20/1.38-1.60		
Rated speed [RPM]		3500		
Slip [%]		2.78		
Rated torque [kgfm]		0.311		
Locked rotor torque [%]		260		
Breakdown torque [%]		270		
Service factor				
Temperature rise		80 K		
Locked rotor time		18s (cold) 10s (hot)		
Noise level ²		58.0 dB(A)		
Efficiency (%)	25%			
	50%	73.0		
	75%	79.0		
	100%	81.5		
Power Factor	25%			
	50%	0.88		
	75%	0.89		
	100%	0.89		
Bearing type	: <u>Drive end</u> 6204 ZZ <u>Non drive end</u> 6202 ZZ	Foundation loads		
Sealing	: Without Without Bearing Seal Bearing Seal	Max. traction : 18 kgf Max. compression : 35 kgf		
Lubrication interval	: - -			
Lubricant amount	: - -			
Lubricant type	: Mobil Polyrex EM			
Notes				
<p>This revision replaces and cancel the previous one, which must be eliminated.</p> <p>(1) Looking the motor from the shaft end.</p> <p>(2) Measured at 1m and with tolerance of +3dB(A).</p> <p>(3) Approximate weight subject to changes after manufacturing process.</p> <p>(4) At 100% of full load.</p>		<p>These are average values based on tests with sinusoidal power supply, subject to the tolerances stipulated in NEMA MG-1.</p>		
Rev.	Changes Summary	Performed	Checked	Date
Performed by				
Checked by			Page	Revision
Date	11/05/2022		1 / 2	

LOAD PERFORMANCE CURVE

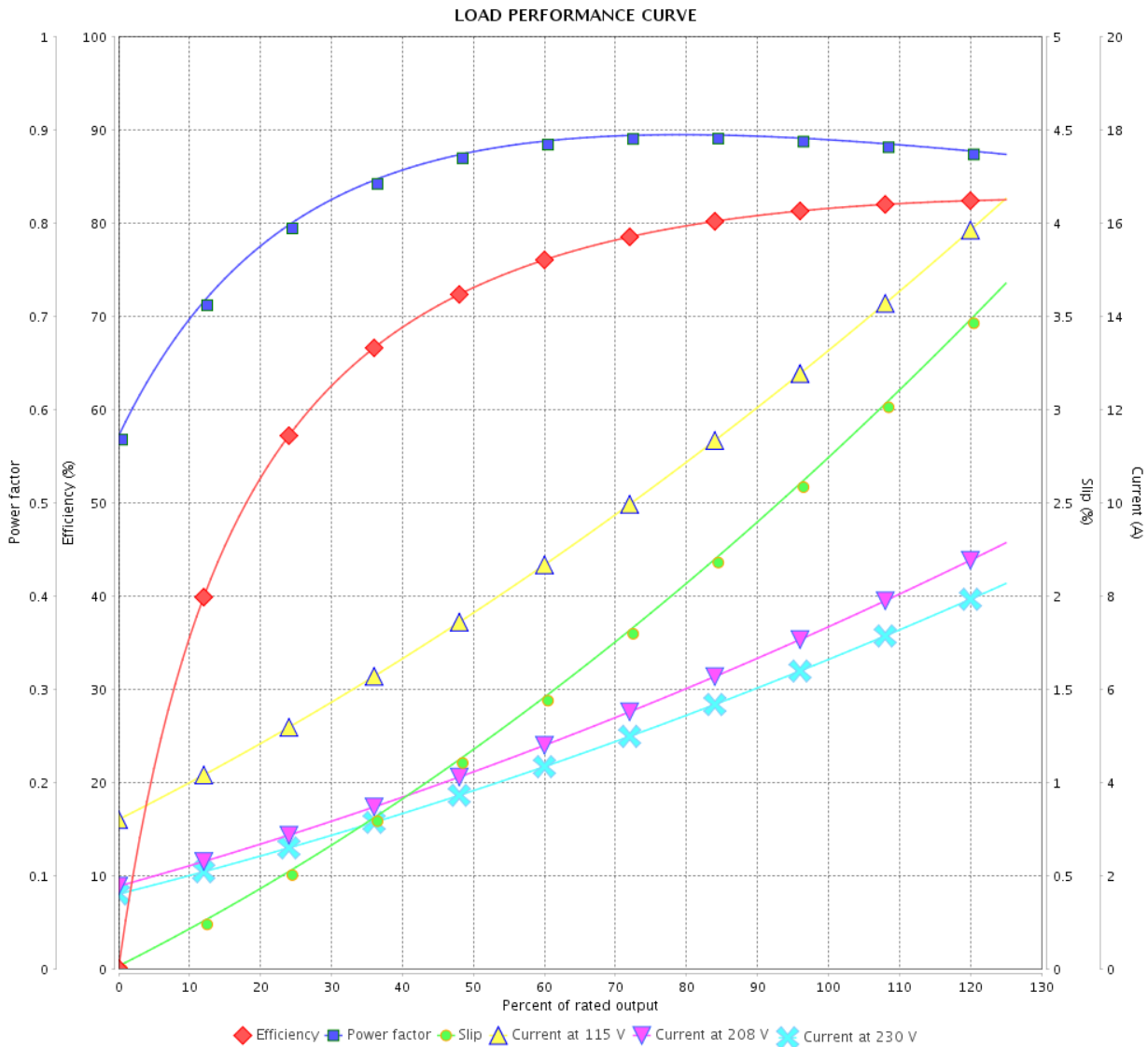
Single Phase Induction Motor - Squirrel Cage



Customer :

Product line : Single-Phase

Product code : 13997455

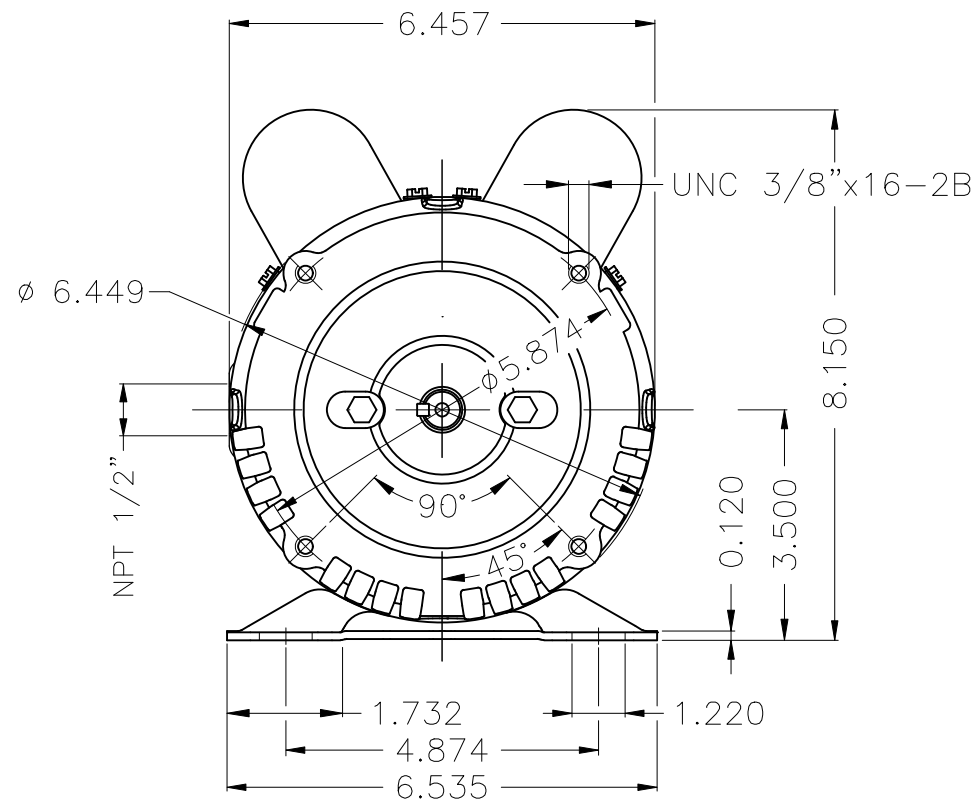


Performance : 115/208-230 V 60 Hz 2P

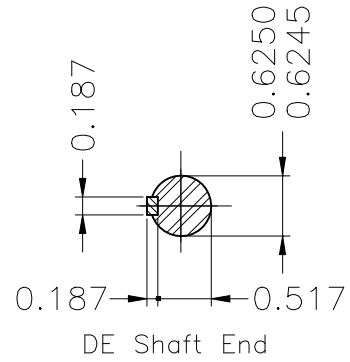
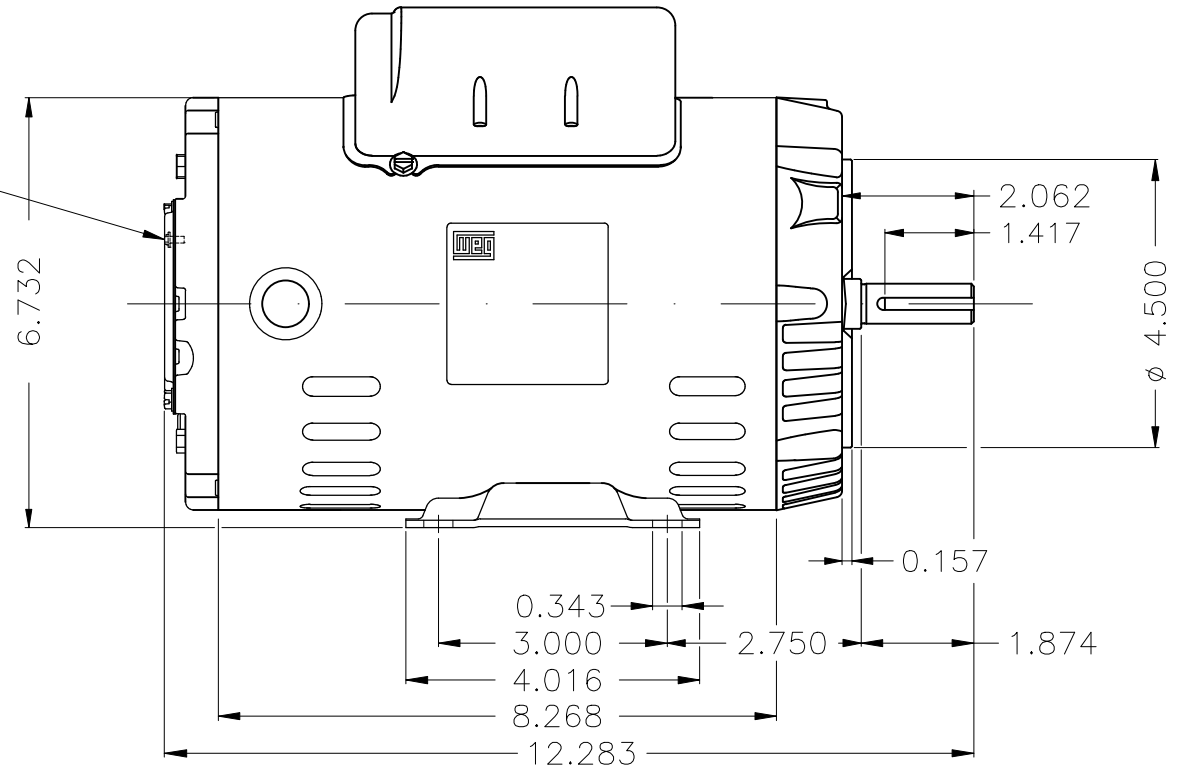
Rated current : 13.3/6.90-6.65 A
 LRC : 7.7
 Rated torque : 0.311 kgfm
 Locked rotor torque : 260 %
 Breakdown torque : 270 %
 Rated speed : 3500 rpm

Moment of inertia (J) : 0.0027 kgm²
 Duty cycle : Cont.(S1)
 Insulation class : F
 Service factor :
 Temperature rise : 80 K
 Design : L

Rev.	Changes Summary	Performed	Checked	Date
Performed by			Page 2 / 2	Revision
Checked by				
Date	11/05/2022			



Grounding



Color Munsell N 1 matte black						
Painting plan 207N						
Mounting B34D						
				HYBRISUSER		00
ECM	LOC	SUMMARY OF MODIFICATIONS		EXECUTED	CHECKED	RELEASED
EXECUTED	HYBRISUSER	SINGLE PH. MOTOR ROLLED STEEL PREM. EFF.				
CHECKED		FRAME 56C IP21 ODP				
RELEASED						
REL. DATE	WMO	Jaragua do Sul	Product Engineering	PREVIEW WDD 00		1 / 1
1.5 HP 02 Poles 60 Hz			SHEET		1 / 1	

Dimensions in inches

XME A3