

DATA SHEET



Three Phase Induction Motor - Squirrel Cage

Customer	:				
Product line	: Jet Pump - J type Premium Efficiency Three-Phase	Product code :	16039609		
Frame	: W56J	Cooling method	: IC01 - ODP		
Insulation class	: F	Mounting	: F-1		
Duty cycle	: Cont.(S1)	Rotation ¹	: CCW		
Ambient temperature	: -20°C to +40°C	Starting method	: Direct On Line		
Altitude	: 1000 m.a.s.l.	Approx. weight ³	: 8.8 kg		
		Moment of inertia (J)	: 0.0010 kgm ²		
Output [HP]	1				
Poles	2				
Frequency [Hz]	60				
Rated voltage [V]	575				
Rated current [A]	1.30				
L. R. Amperes [A]	10.8				
LRC [A]	8.3x(Code M)				
No load current [A]	0.800				
Rated speed [RPM]	3450				
Slip [%]	4.17				
Rated torque [kgfm]	0.210				
Locked rotor torque [%]	400				
Breakdown torque [%]	409				
Service factor	1.40				
Temperature rise	80 K				
Locked rotor time	23s (cold) 13s (hot)				
Noise level ²	62.0 dB(A)				
Efficiency (%)	25%				
	50%	70.0			
	75%	75.5			
	100%	77.0			
Power Factor	25%				
	50%	0.55			
	75%	0.68			
	100%	0.75			
Bearing type	: Drive end : 6203 2RS	Non drive end : 6202 2RS	Foundation loads		
Sealing	: Without	Without	Max. traction	: 23 kgf	
	Bearing Seal	Bearing Seal	Max. compression	: 32 kgf	
Lubrication interval	: -	-			
Lubricant amount	: -	-			
Lubricant type	: Mobil Polyrex EM				
Notes					
This revision replaces and cancel the previous one, which must be eliminated. (1) Looking the motor from the shaft end. (2) Measured at 1m and with tolerance of +3dB(A). (3) Approximate weight subject to changes after manufacturing process. (4) At 100% of full load.			These are average values based on tests with sinusoidal power supply, subject to the tolerances stipulated in NEMA MG-1.		
Rev.	Changes Summary		Performed	Checked	Date
Performed by					
Checked by				Page	Revision
Date	11/05/2022			1 / 2	

LOAD PERFORMANCE CURVE

Three Phase Induction Motor - Squirrel Cage

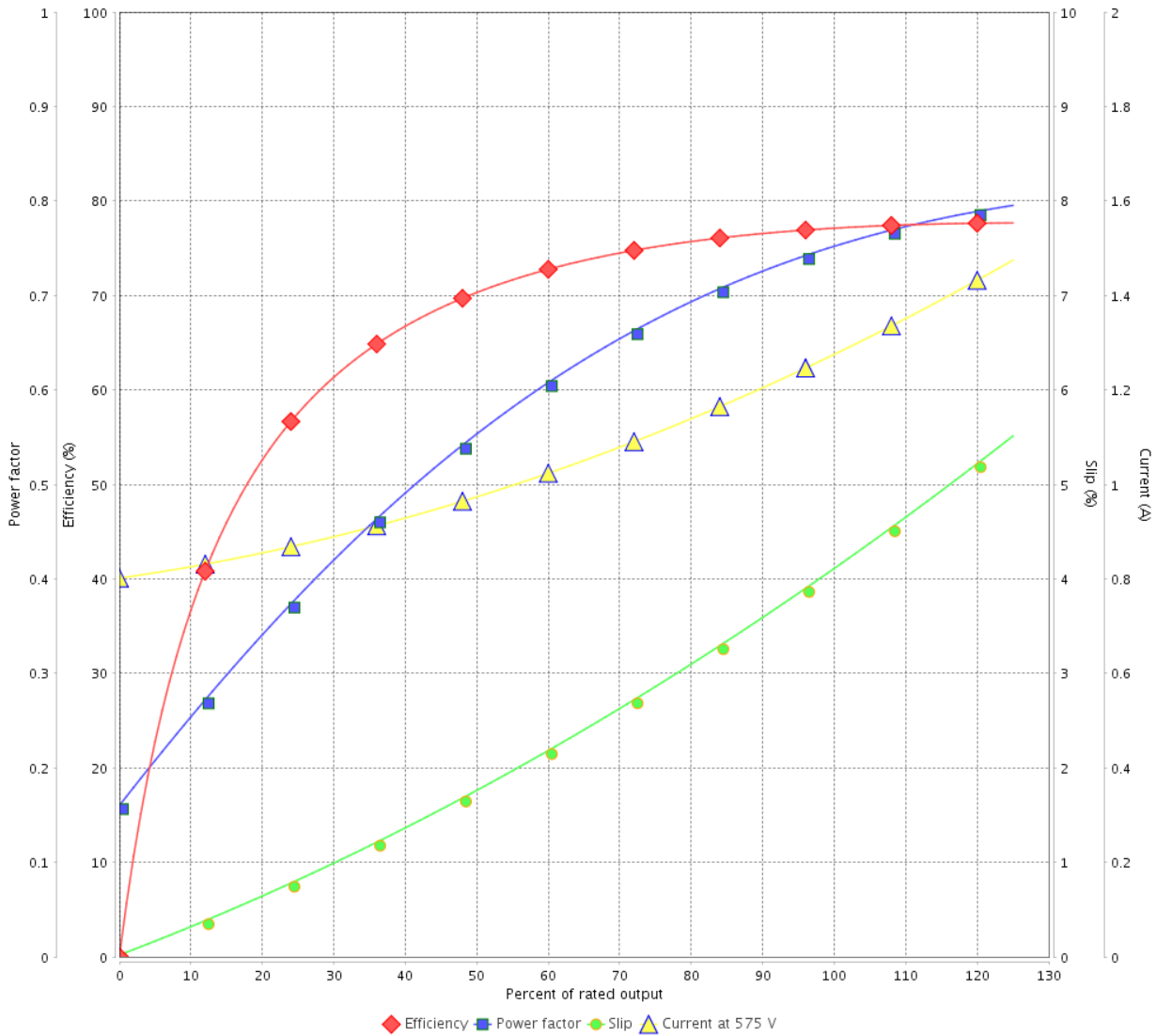


Customer : _____

Product line : Jet Pump - J type Premium
Efficiency Three-Phase

Product code : 16039609

LOAD PERFORMANCE CURVE



Performance : 575 V 60 Hz 2P

Rated current : 1.30 A
LRC : 8.3
Rated torque : 0.210 kgfm
Locked rotor torque : 400 %
Breakdown torque : 409 %
Rated speed : 3450 rpm

Moment of inertia (J) : 0.0010 kgm²
Duty cycle : Cont.(S1)
Insulation class : F
Service factor : 1.40
Temperature rise : 80 K

Rev.	Changes Summary	Performed	Checked	Date
Performed by			Page 2 / 2	Revision
Checked by				
Date	11/05/2022			

1

2

3

4

5

6

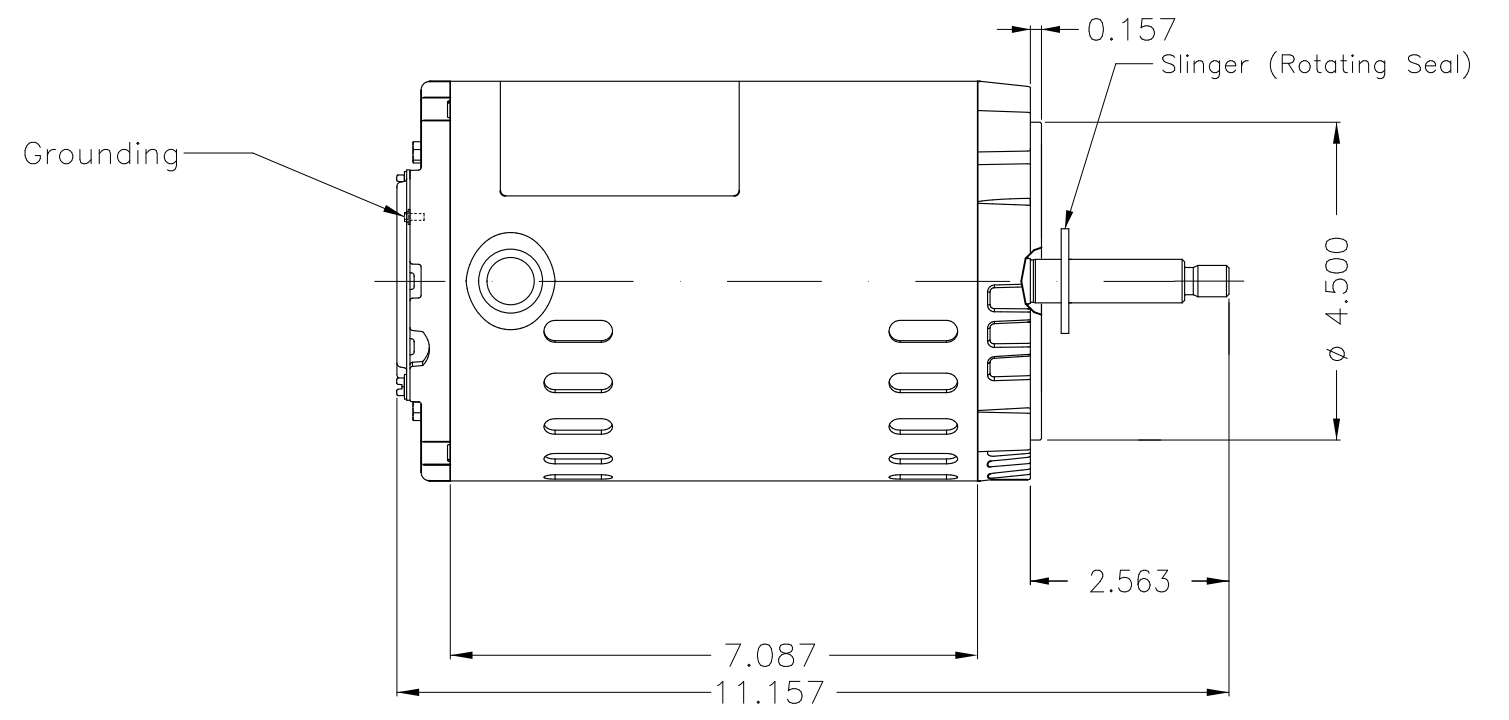
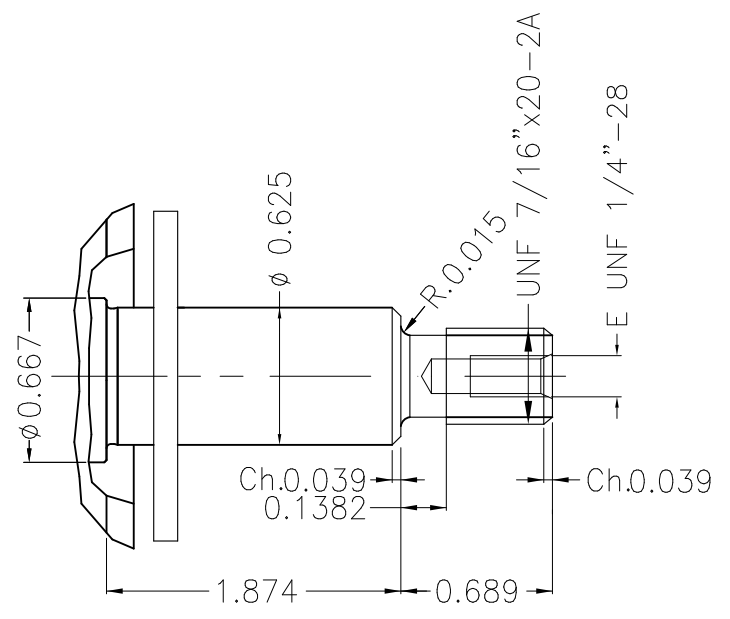
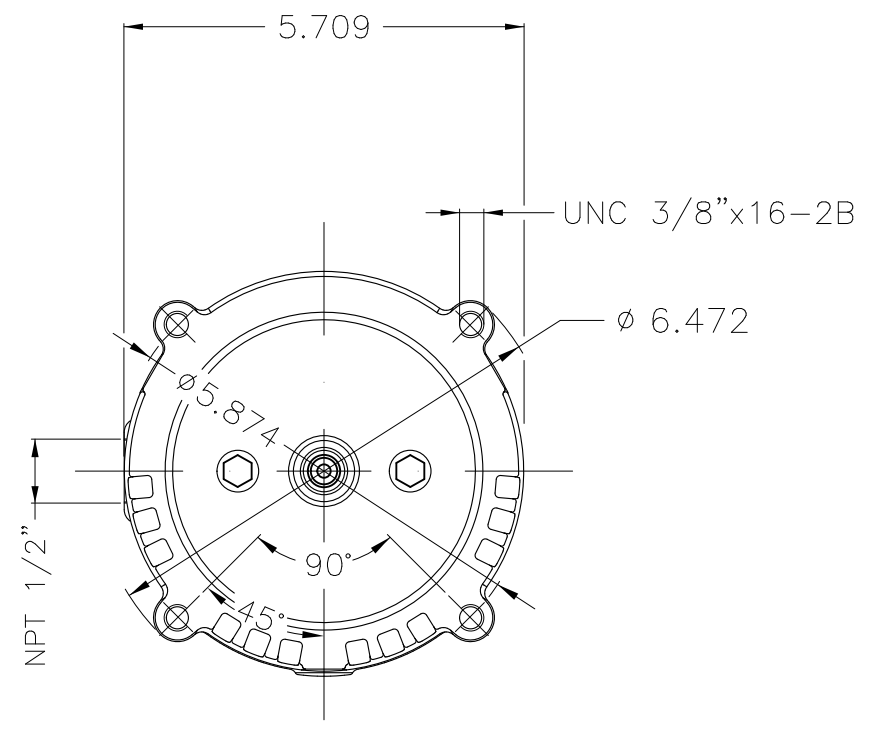
A

B

C

D

E



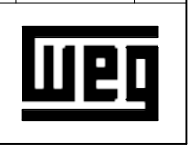
Dimensions in inches

Color Munsell N 1 matte black
 Painting plan 207N
 Mounting F-1/B14R(D)

						HYBRISUSER				00	
ECM	LOC	SUMMARY OF MODIFICATIONS			EXECUTED	CHECKED	RELEASED	DATE	VER		

EXECUTED	HYBRISUSER		THREE PH. MOTOR ROLLED STEEL JET PUMP THREADED PUMP
CHECKED			FRAME W56J IP21 ODP
RELEASED			
REL. DATE		WMO	Jaragua do Sul

PREVIEW			
WDD	00		
SHEET	1 / 1		



1 HP 02 Poles 60 Hz

A

XME A3