

DATA SHEET

Three Phase Induction Motor - Squirrel Cage



Customer :				
Product line		: Jet Pump - J type Three-Phase	Product code :	13961578
Frame	: 56J	Cooling method	: IC01 - ODP	
Insulation class	: F	Mounting	: F-1	
Duty cycle	: Cont.(S1)	Rotation ¹	: CCW	
Ambient temperature	: -20°C to +40°C	Starting method	: Direct On Line	
Altitude	: 1000 m.a.s.l.	Approx. weight ³	: 16.6 kg	
Design	: A	Moment of inertia (J)	: 0.0049 kgm ²	
Output [HP]	2	2	2	
Poles	2	2	2	
Frequency [Hz]	60	50	50	
Rated voltage [V]	230/460	190/380	220/415	
Rated current [A]	4.84/2.42	5.88/2.94	5.26/2.79	
L. R. Amperes [A]	43.1/21.5	40.6/20.3	40.0/21.2	
LRC [A]	8.9x(Code K)	6.9x(Code H)	7.6x(Code J)	
No load current [A]	1.83/0.917	1.81/0.906	1.84/0.978	
Rated speed [RPM]	3510	2890	2900	
Slip [%]	2.50	3.67	3.33	
Rated torque [kgfm]	0.414	0.502	0.501	
Locked rotor torque [%]	220	180	200	
Breakdown torque [%]	330	250	280	
Service factor		1.20	1.20	
Temperature rise	80 K	80 K	80 K	
Locked rotor time	25s (cold) 14s (hot)	18s (cold) 10s (hot)	18s (cold) 10s (hot)	
Noise level ²	62.0 dB(A)	60.0 dB(A)	60.0 dB(A)	
Efficiency (%)	25%			
	50%	84.0	82.5	83.5
	75%	85.5	83.0	84.0
	100%	85.5	83.4	84.3
Power Factor	25%			
	50%	0.77	0.83	0.80
	75%	0.86	0.90	0.88
	100%	0.91	0.93	0.92
Bearing type	: <u>Drive end</u> 6203 2RS <u>Non drive end</u> 6202 2RS	Foundation loads		
Sealing	: Without Bearing Seal Without Bearing Seal	Max. traction	: 36 kgf	
		Max. compression	: 53 kgf	
Lubrication interval	: - -			
Lubricant amount	: - -			
Lubricant type	: Mobil Polyrex EM			
Notes USABLE @208V 5.35A SF 1.00 SFA 5.35A				
This revision replaces and cancel the previous one, which must be eliminated. (1) Looking the motor from the shaft end. (2) Measured at 1m and with tolerance of +3dB(A). (3) Approximate weight subject to changes after manufacturing process. (4) At 100% of full load.		These are average values based on tests with sinusoidal power supply, subject to the tolerances stipulated in NEMA MG-1.		
Rev.	Changes Summary		Performed	Checked
Performed by			Page 1 / 4	Revision
Checked by				
Date	11/05/2022			

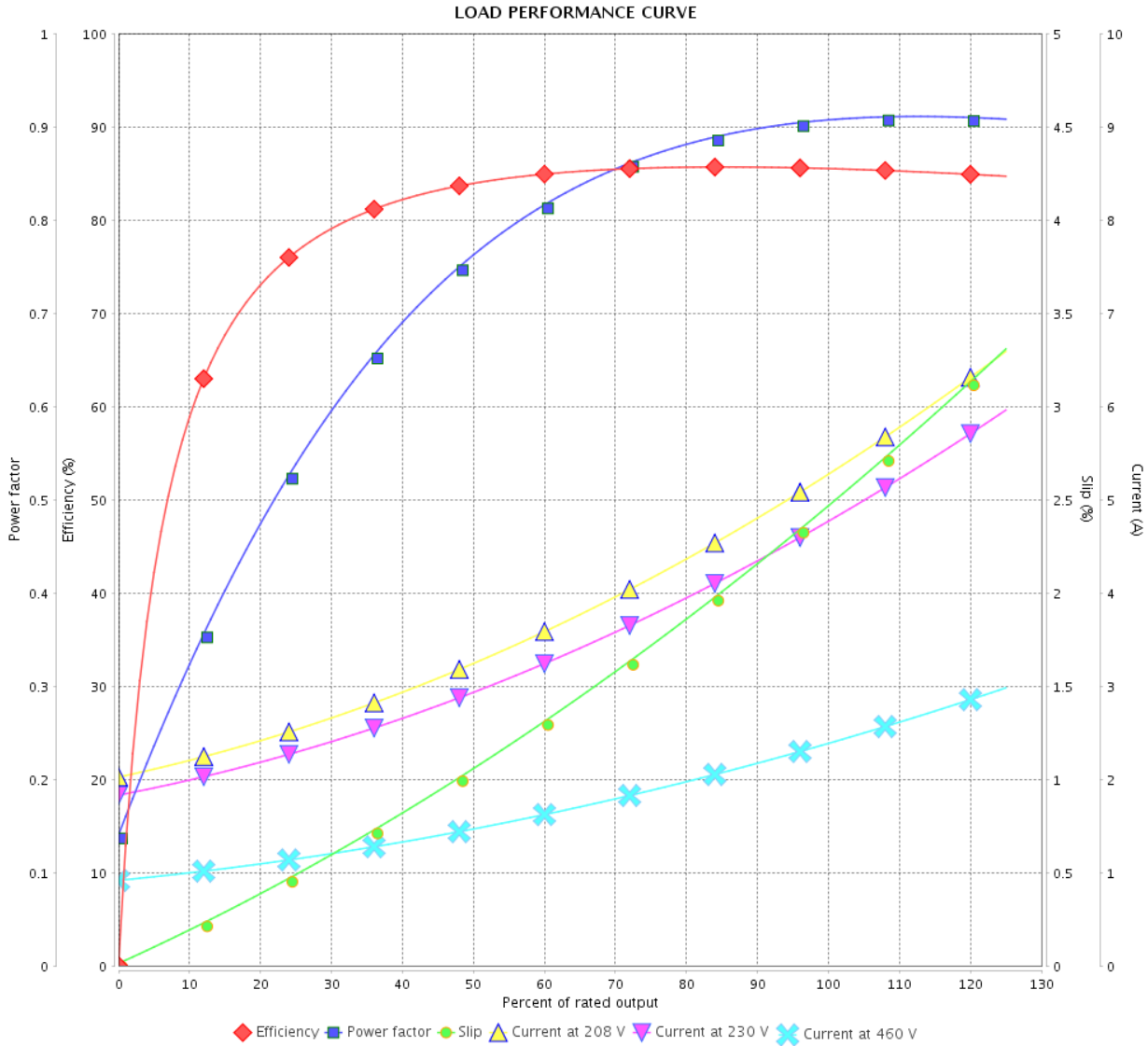
LOAD PERFORMANCE CURVE

Three Phase Induction Motor - Squirrel Cage



Customer :

Product line : Jet Pump - J type Three-Phase Product code : 13961578



Performance : 230/460 V 60 Hz 2P

Rated current : 4.84/2.42 A
 LRC : 8.9
 Rated torque : 0.414 kgfm
 Locked rotor torque : 220 %
 Breakdown torque : 330 %
 Rated speed : 3510 rpm

Moment of inertia (J) : 0.0049 kgm²
 Duty cycle : Cont.(S1)
 Insulation class : F
 Service factor :
 Temperature rise : 80 K
 Design : A

Rev.	Changes Summary	Performed	Checked	Date
Performed by			Page	Revision
Checked by				
Date				

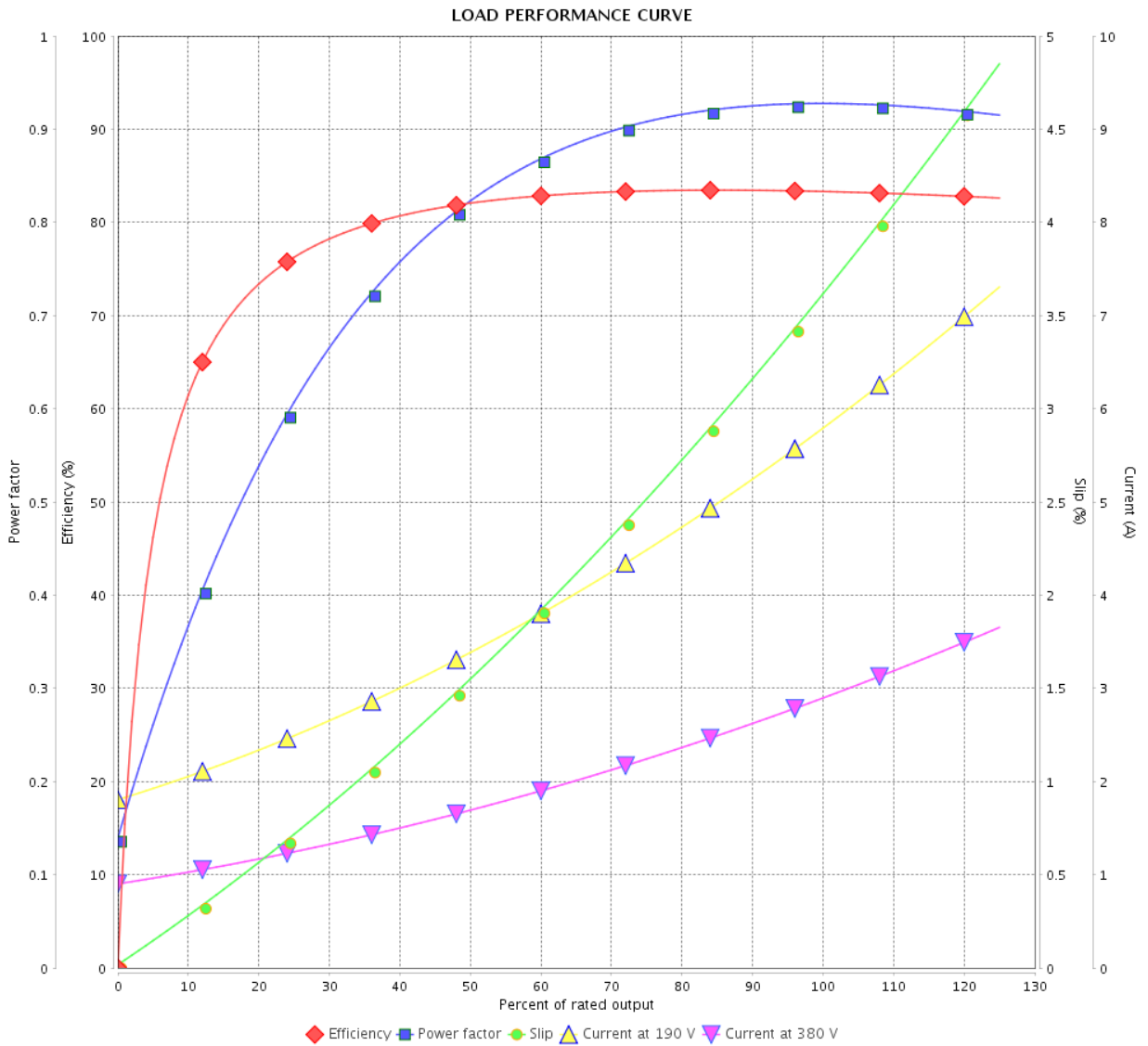
LOAD PERFORMANCE CURVE

Three Phase Induction Motor - Squirrel Cage



Customer : _____

Product line : Jet Pump - J type Three-Phase Product code : 13961578



Performance : 190/380 V 50 Hz 2P

Rated current : 5.88/2.94 A
 LRC : 6.9
 Rated torque : 0.502 kgfm
 Locked rotor torque : 180 %
 Breakdown torque : 250 %
 Rated speed : 2890 rpm

Moment of inertia (J) : 0.0049 kgm²
 Duty cycle : Cont.(S1)
 Insulation class : F
 Service factor : 1.20
 Temperature rise : 80 K
 Design : A

Rev.	Changes Summary	Performed	Checked	Date
Performed by			Page	Revision
Checked by				
Date				

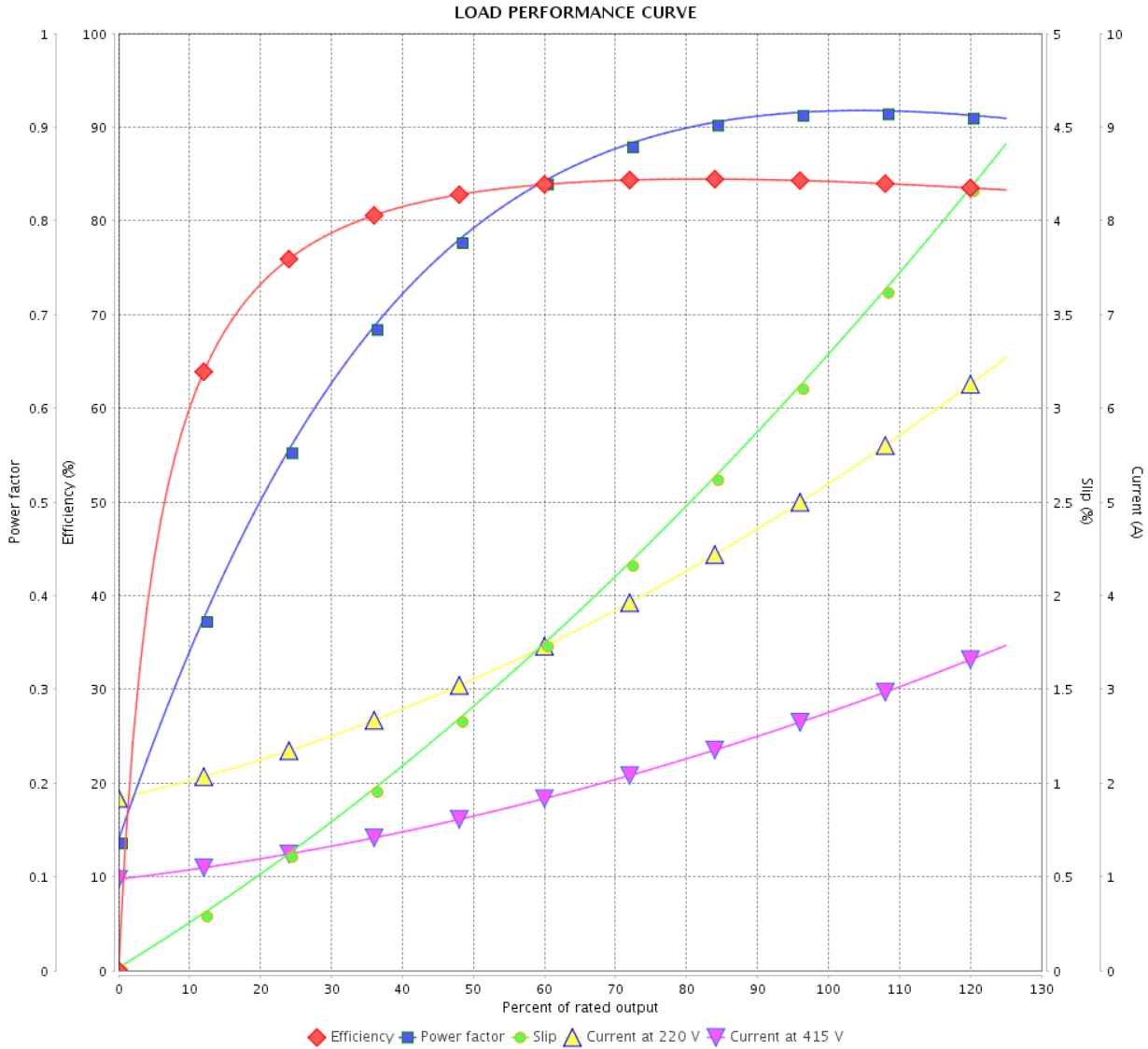
LOAD PERFORMANCE CURVE

Three Phase Induction Motor - Squirrel Cage



Customer :

Product line : Jet Pump - J type Three-Phase Product code : 13961578

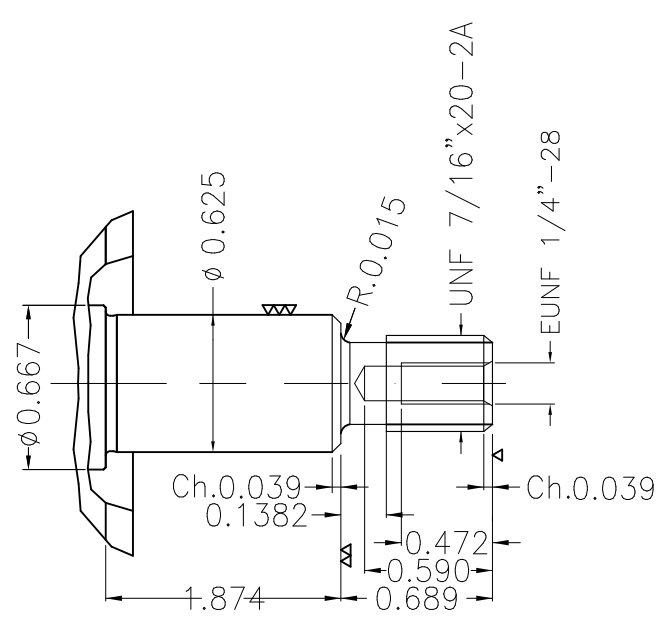
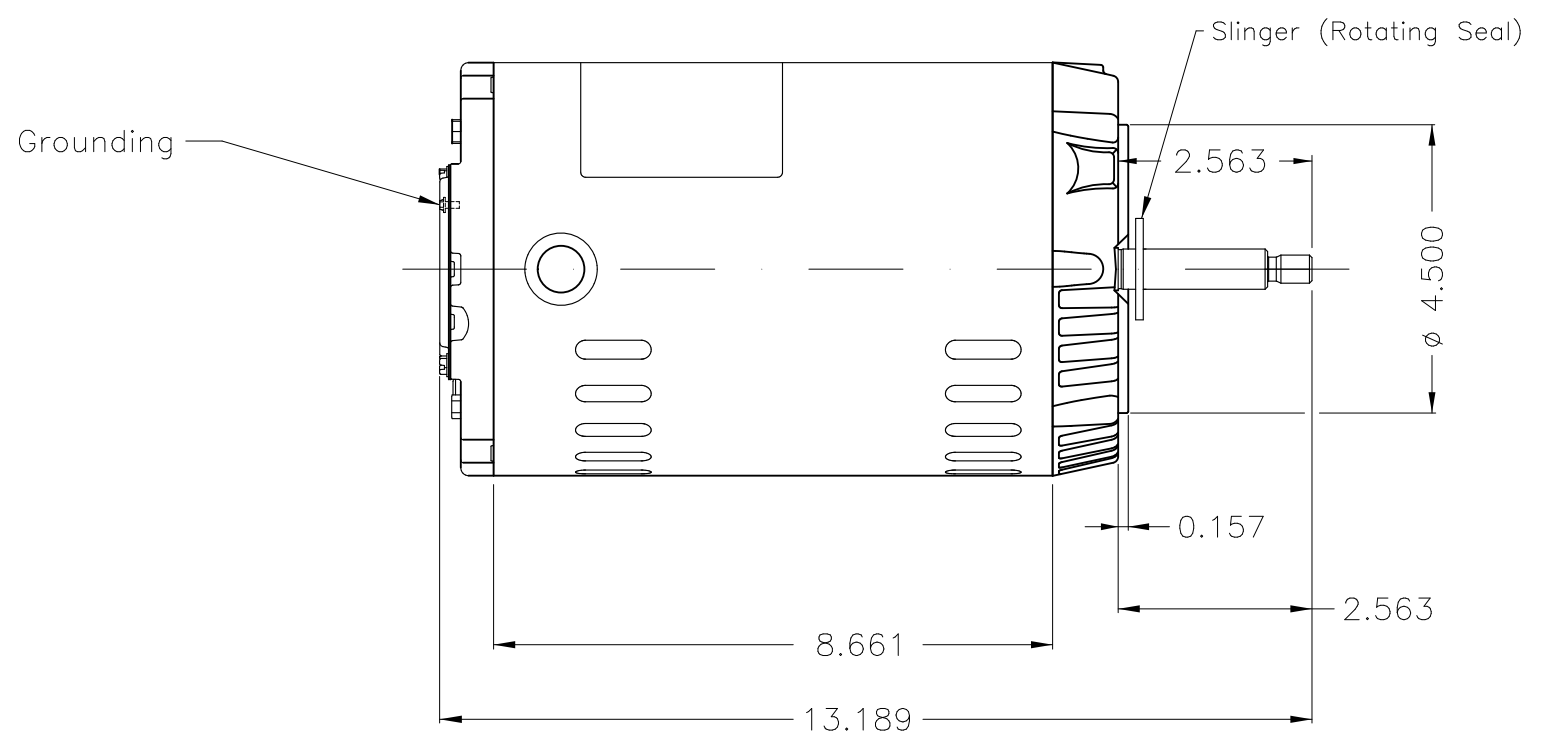
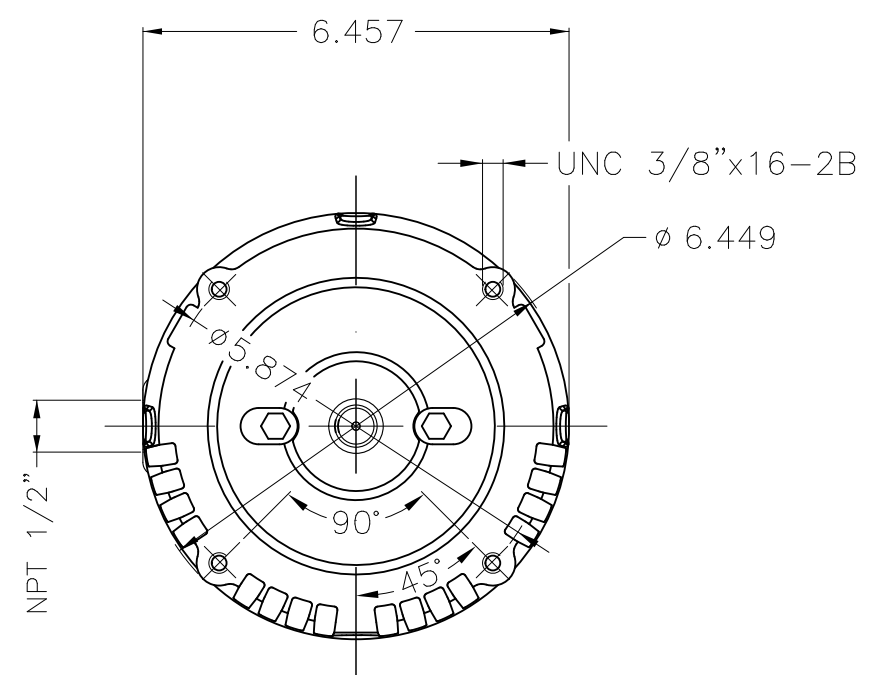


Performance : 220/415 V 50 Hz 2P

Rated current : 5.26/2.79 A
 LRC : 7.6
 Rated torque : 0.501 kgfm
 Locked rotor torque : 200 %
 Breakdown torque : 280 %
 Rated speed : 2900 rpm

Moment of inertia (J) : 0.0049 kgm²
 Duty cycle : Cont.(S1)
 Insulation class : F
 Service factor : 1.20
 Temperature rise : 80 K
 Design : A

Rev.	Changes Summary	Performed	Checked	Date
Performed by			Page 4 / 4	Revision
Checked by				
Date	11/05/2022			



Color Munsell N 1 matte black
 Painting plan 207N
 Mounting F-1/B14R(D)

ECM	LOC	SUMMARY OF MODIFICATIONS	EXECUTED	CHECKED	RELEASED	DATE	VER
EXECUTED	HYBRISUSER	THREE PH. MOTOR ROLLED STEEL JET PUMP THREADED PUMP					
CHECKED		FRAME 56J IP21 ODP					
RELEASED							
REL. DATE	WMO	Jaragua do Sul	Product Engineering	WDD	00		

2 HP 02 Poles 60 Hz

Dimensions in inches XME A3