

DATA SHEET

Three Phase Induction Motor - Squirrel Cage



Customer	:			
Product line	: Jet Pump - J type Three-Phase	Product code : 13961586		
Frame	: 56J	Cooling method : IC01 - ODP		
Insulation class	: F	Mounting : F-1		
Duty cycle	: Cont.(S1)	Rotation ¹ : CCW		
Ambient temperature	: -20°C to +40°C	Starting method : Direct On Line		
Altitude	: 1000 m.a.s.l.	Approx. weight ³ : 18.3 kg		
Design	: A	Moment of inertia (J) : 0.0054 kgm ²		
Output [HP]		3		
Poles		2		
Frequency [Hz]		60		
Rated voltage [V]		575		
Rated current [A]		2.87		
L. R. Amperes [A]		23.0		
LRC [A]		8.0x(Code J)		
No load current [A]		1.04		
Rated speed [RPM]		3480		
Slip [%]		3.33		
Rated torque [kgfm]		0.626		
Locked rotor torque [%]		229		
Breakdown torque [%]		300		
Service factor		1.15		
Temperature rise		80 K		
Locked rotor time		16s (cold) 9s (hot)		
Noise level ²		62.0 dB(A)		
Efficiency (%)	25%			
	50%	84.0		
	75%	85.5		
	100%	85.5		
Power Factor	25%			
	50%	0.76		
	75%	0.86		
	100%	0.90		
Bearing type	: <u>Drive end</u> 6203 2RS <u>Non drive end</u> 6202 2RS	Foundation loads		
Sealing	: Without Bearing Seal Without Bearing Seal	Max. traction : 50 kgf		
Lubrication interval	: - -	Max. compression : 68 kgf		
Lubricant amount	: - -			
Lubricant type	: Mobil Polyrex EM			
Notes				
<p>This revision replaces and cancel the previous one, which must be eliminated.</p> <p>(1) Looking the motor from the shaft end.</p> <p>(2) Measured at 1m and with tolerance of +3dB(A).</p> <p>(3) Approximate weight subject to changes after manufacturing process.</p> <p>(4) At 100% of full load.</p>		<p>These are average values based on tests with sinusoidal power supply, subject to the tolerances stipulated in NEMA MG-1.</p>		
Rev.	Changes Summary	Performed	Checked	Date
Performed by				
Checked by			Page	Revision
Date	11/05/2022		1 / 2	

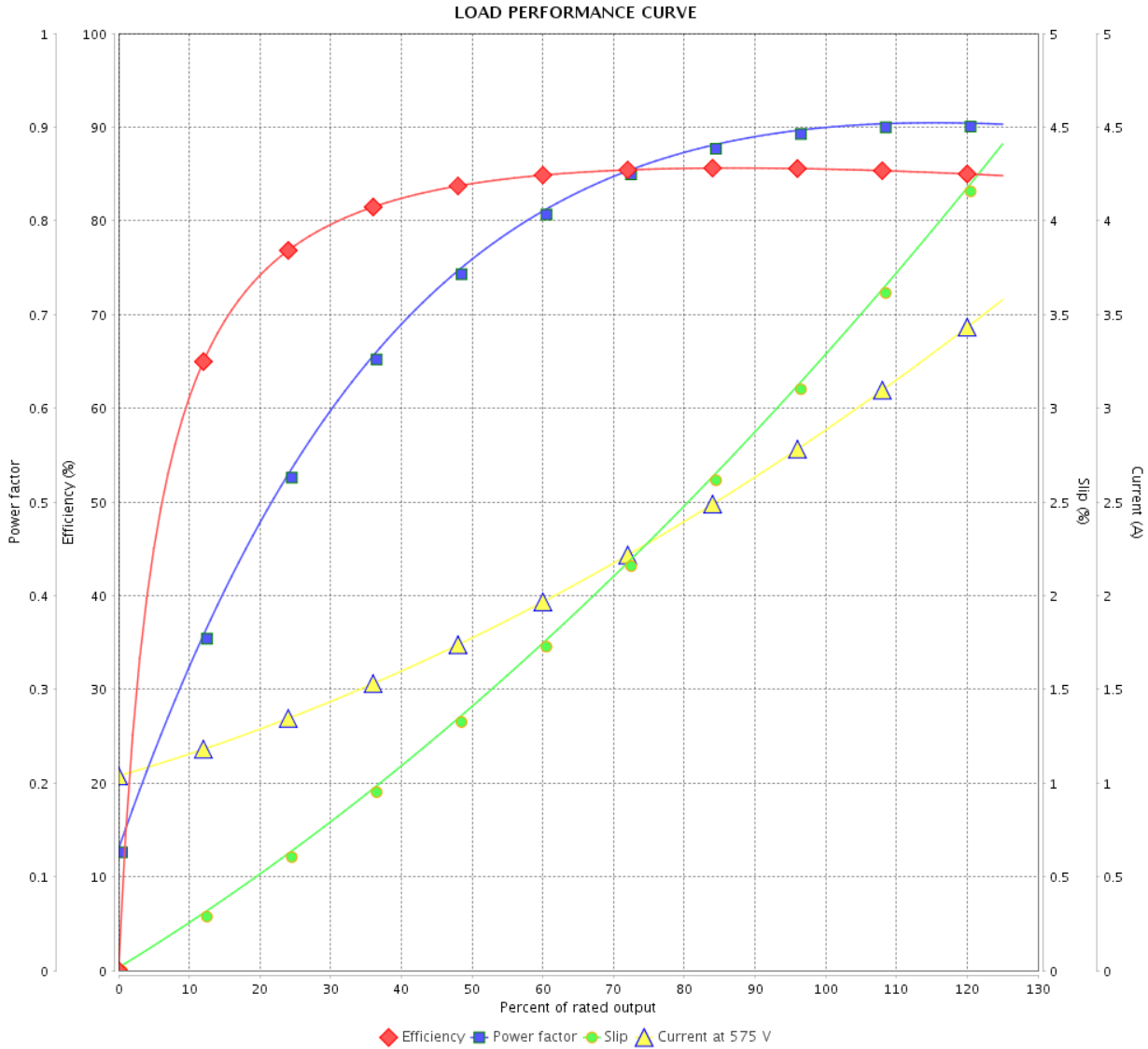
LOAD PERFORMANCE CURVE

Three Phase Induction Motor - Squirrel Cage



Customer :

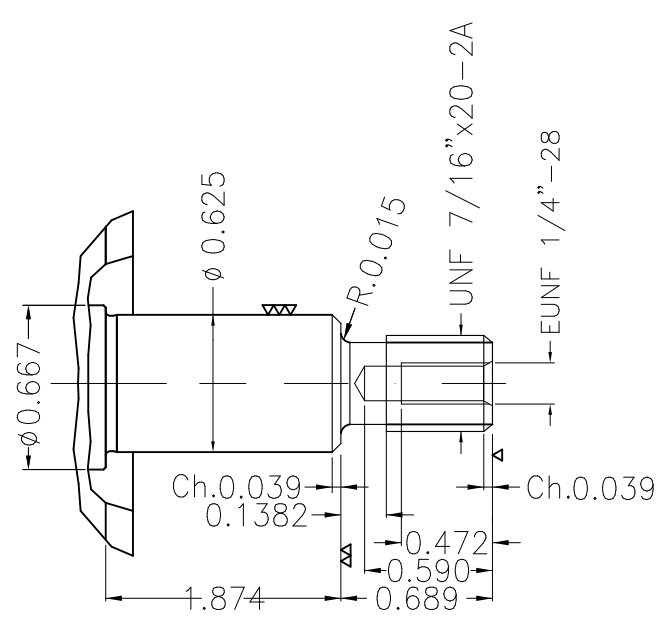
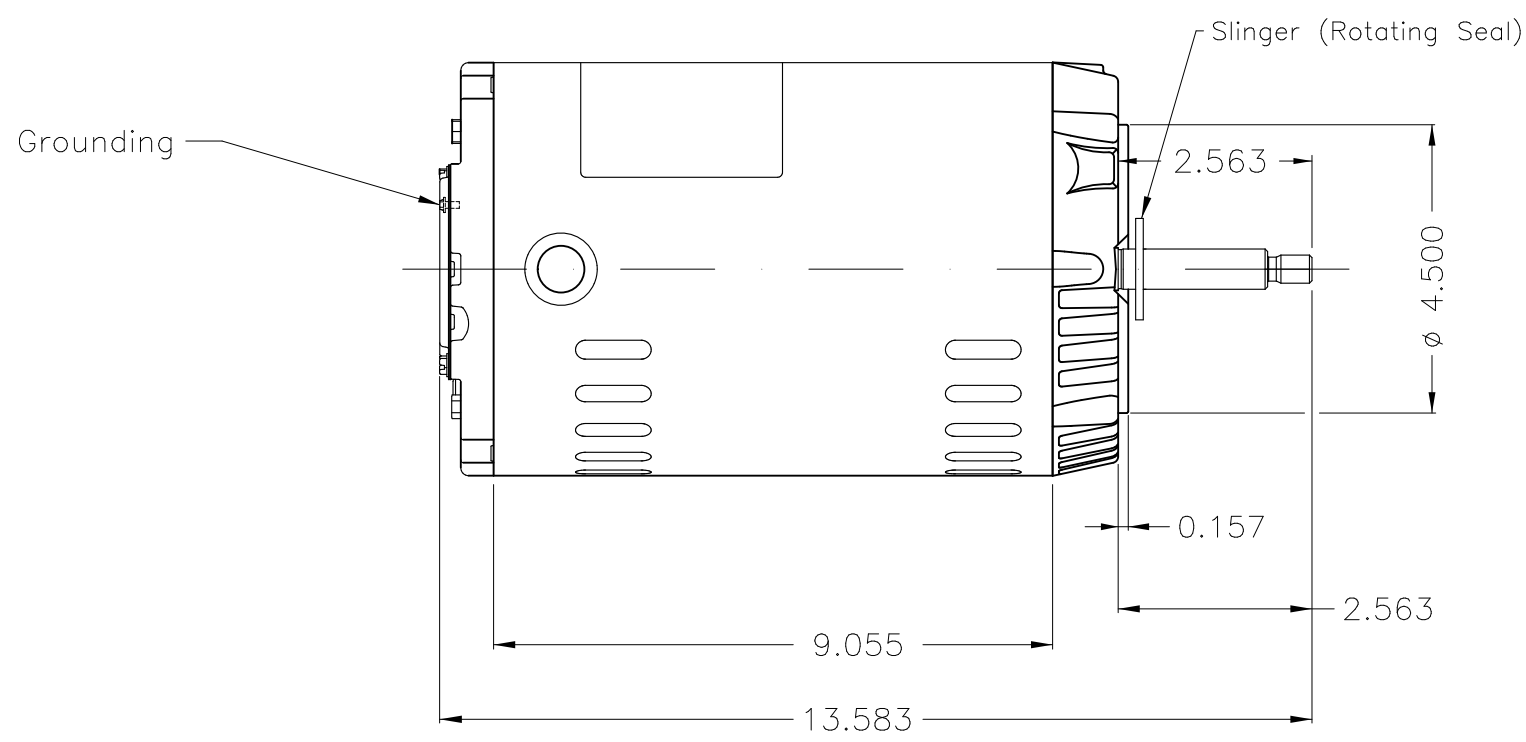
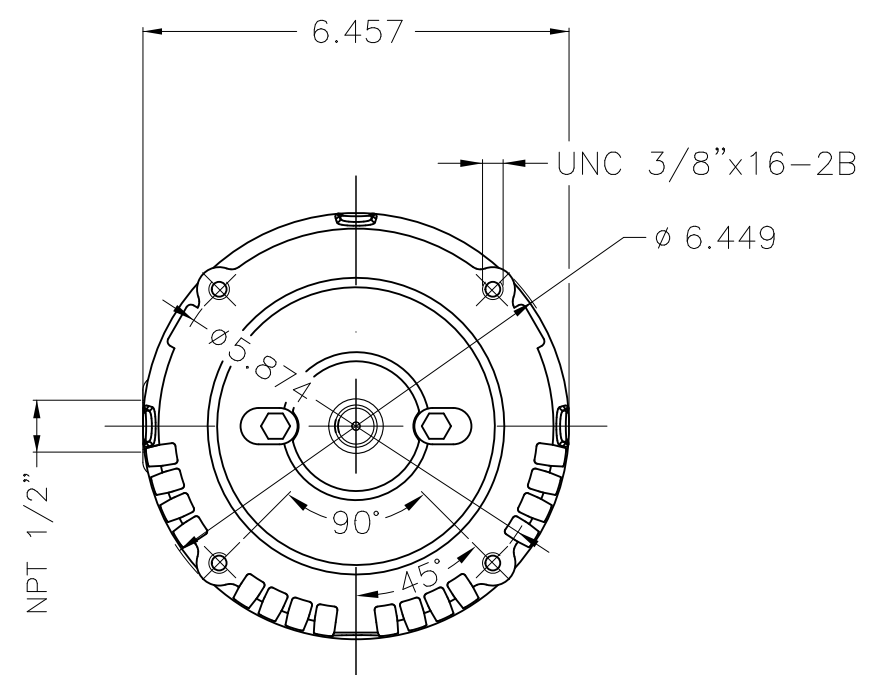
Product line : Jet Pump - J type Three-Phase Product code : 13961586



Performance : 575 V 60 Hz 2P

Rated current	: 2.87 A	Moment of inertia (J)	: 0.0054 kgm ²
LRC	: 8.0	Duty cycle	: Cont.(S1)
Rated torque	: 0.626 kgfm	Insulation class	: F
Locked rotor torque	: 229 %	Service factor	: 1.15
Breakdown torque	: 300 %	Temperature rise	: 80 K
Rated speed	: 3480 rpm	Design	: A

Rev.	Changes Summary	Performed	Checked	Date
Performed by			Page 2 / 2	Revision
Checked by				
Date	11/05/2022			



Color Munsell N 1 matte black					
Painting plan 207N					
Mounting F-1/B14R(D)					
			HYBRISUSER		00
ECM	LOC	SUMMARY OF MODIFICATIONS	EXECUTED	CHECKED	RELEASED
EXECUTED	HYBRISUSER	THREE PH. MOTOR ROLLED STEEL JET PUMP THREADED PUMP			
CHECKED		FRAME 56J IP21 ODP			
RELEASED					
REL. DATE	WMO	Jaragua do Sul	Product Engineering	PREVIEW	WDD 00
			SHEET	1 / 1	

3 HP 02 Poles 60 Hz

Dimensions in inches XME A3