

# DATA SHEET



## Three Phase Induction Motor - Squirrel Cage

Customer :						
Product line		: W22 P Base NEMA Premium Efficiency Three-Phase		Product code : 13954310		
Frame	: 182/4HP		Locked rotor time	: 45s (cold) 25s (hot)		
Output	: 5 HP (3.7 kW)		Temperature rise	: 80 K		
Poles	: 2		Duty cycle	: Cont.(S1)		
Frequency	: 60 Hz		Ambient temperature	: -20°C to +40°C		
Rated voltage	: 575 V		Altitude	: 1000 m.a.s.l.		
Rated current	: 4.72 A		Protection degree	: IP55		
L. R. Amperes	: 35.9 A		Cooling method	: IC411 - TEFC		
LRC	: 7.6x(Code J)		Mounting	: W-6		
No load current	: 1.60 A		Rotation <sup>1</sup>	: Both (CW and CCW)		
Rated speed	: 3485 rpm		Noise level <sup>2</sup>	: 69.0 dB(A)		
Slip	: 3.19 %		Starting method	: Direct On Line		
Rated torque	: 1.04 kgfm		Approx. weight <sup>3</sup>	: 47.0 kg		
Locked rotor torque	: 229 %					
Breakdown torque	: 350 %					
Insulation class	: F					
Service factor	: 1.25					
Moment of inertia (J)	: 0.0094 kgm <sup>2</sup>					
Design	: B					
Output	25%	50%	75%	100%	Foundation loads	
Efficiency (%)	0.000	86.5	88.5	88.5	Max. traction	
Power Factor	0.00	0.76	0.85	0.89	Max. compression	
			<u>Drive end</u>		<u>Non drive end</u>	
Bearing type	:	6308 ZZ			6206 ZZ	
Sealing	:	V'Ring			V'Ring	
Lubrication interval	:	0 h			0 h	
Lubricant amount	:	0 g			0 g	
Lubricant type	:	Mobil Polyrex EM				
Notes						
This revision replaces and cancel the previous one, which must be eliminated. (1) Looking the motor from the shaft end. (2) Measured at 1m and with tolerance of +3dB(A). (3) Approximate weight subject to changes after manufacturing process. (4) At 100% of full load.			These are average values based on tests with sinusoidal power supply, subject to the tolerances stipulated in NEMA MG-1.			
Rev.	Changes Summary			Performed	Checked	Date
Performed by						
Checked by					Page	Revision
Date	27/10/2024				1 / 2	

# LOAD PERFORMANCE CURVE

## Three Phase Induction Motor - Squirrel Cage

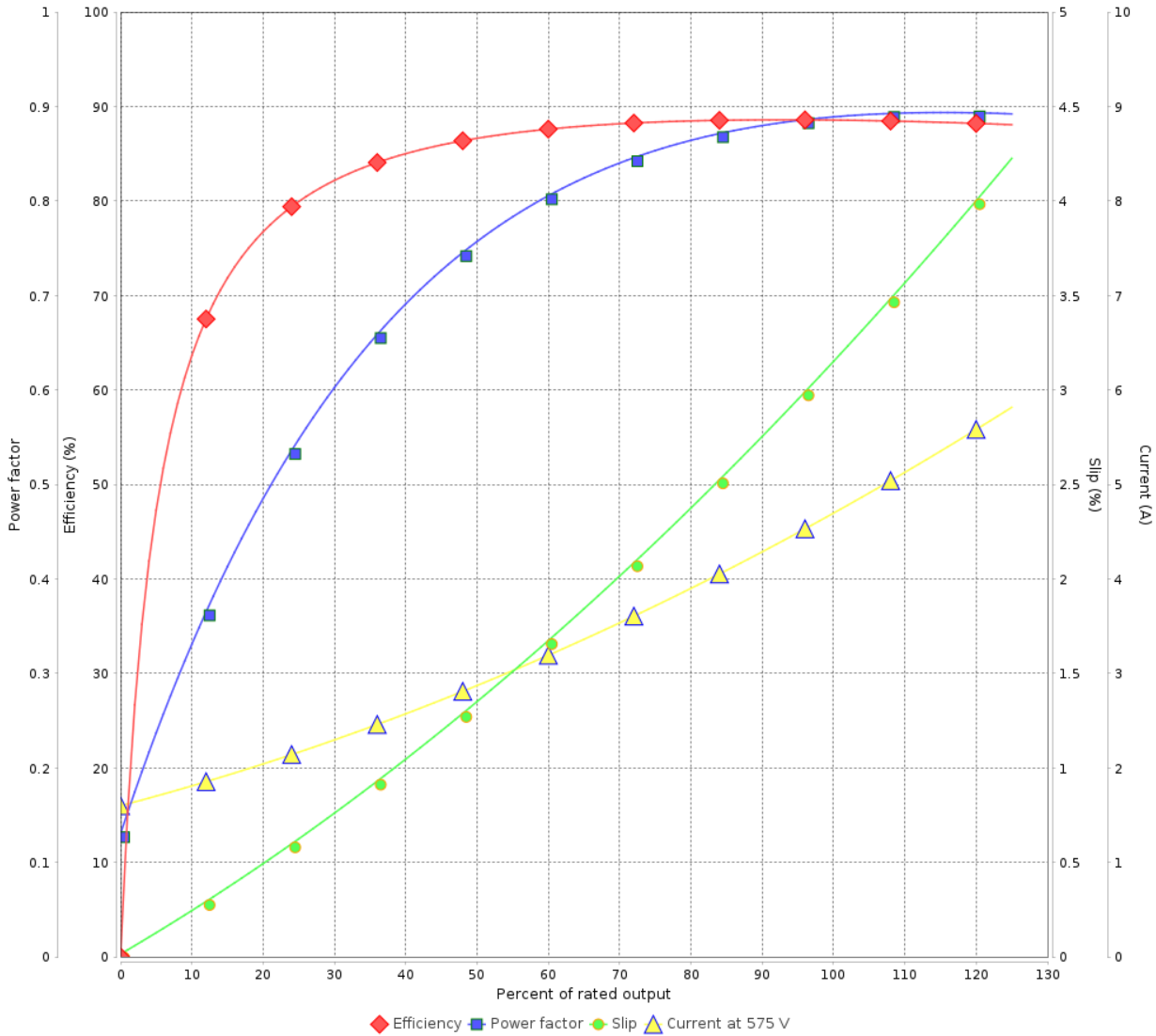


Customer :

Product line : W22 P Base NEMA Premium  
Efficiency Three-Phase

Product code : 13954310

LOAD PERFORMANCE CURVE



Performance : 575 V 60 Hz 2P

Rated current : 4.72 A  
LRC : 7.6  
Rated torque : 1.04 kgfm  
Locked rotor torque : 229 %  
Breakdown torque : 350 %  
Rated speed : 3485 rpm

Moment of inertia (J) : 0.0094 kgm<sup>2</sup>  
Duty cycle : Cont.(S1)  
Insulation class : F  
Service factor : 1.25  
Temperature rise : 80 K  
Design : B

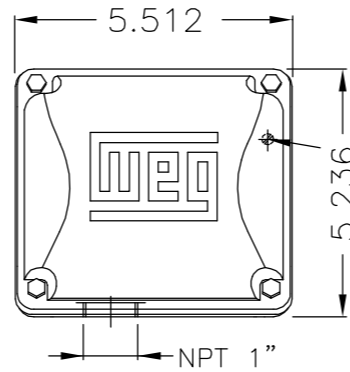
Rev.	Changes Summary	Performed	Checked	Date
Performed by			Page	Revision
Checked by				
Date				

EIXO/SHAFT	
PADRÃO/STANDARD	
OPCIONAL/OPTIONAL	
ESPECIAL/SPECIAL	X

Dimensões em polegada  
Dimensions in inches

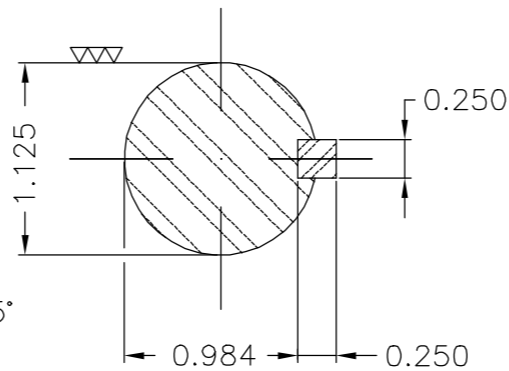
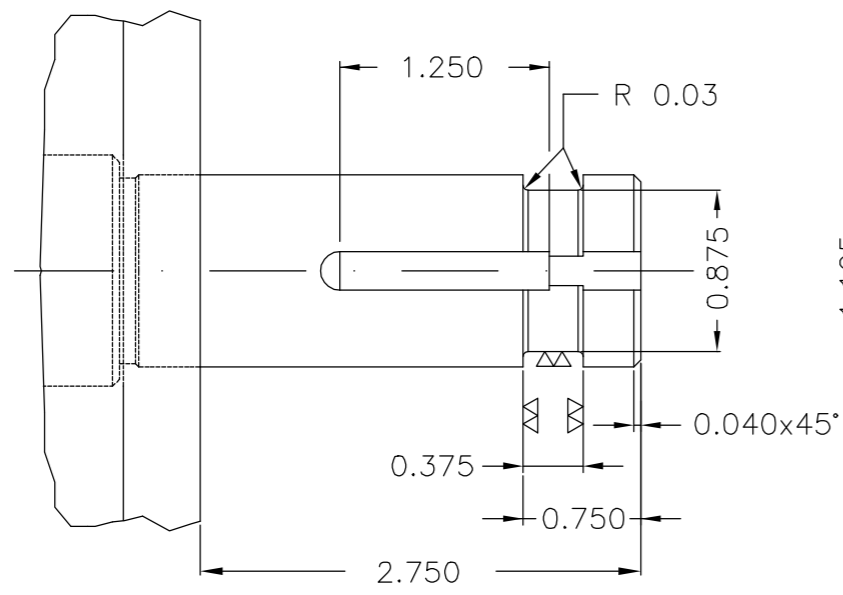
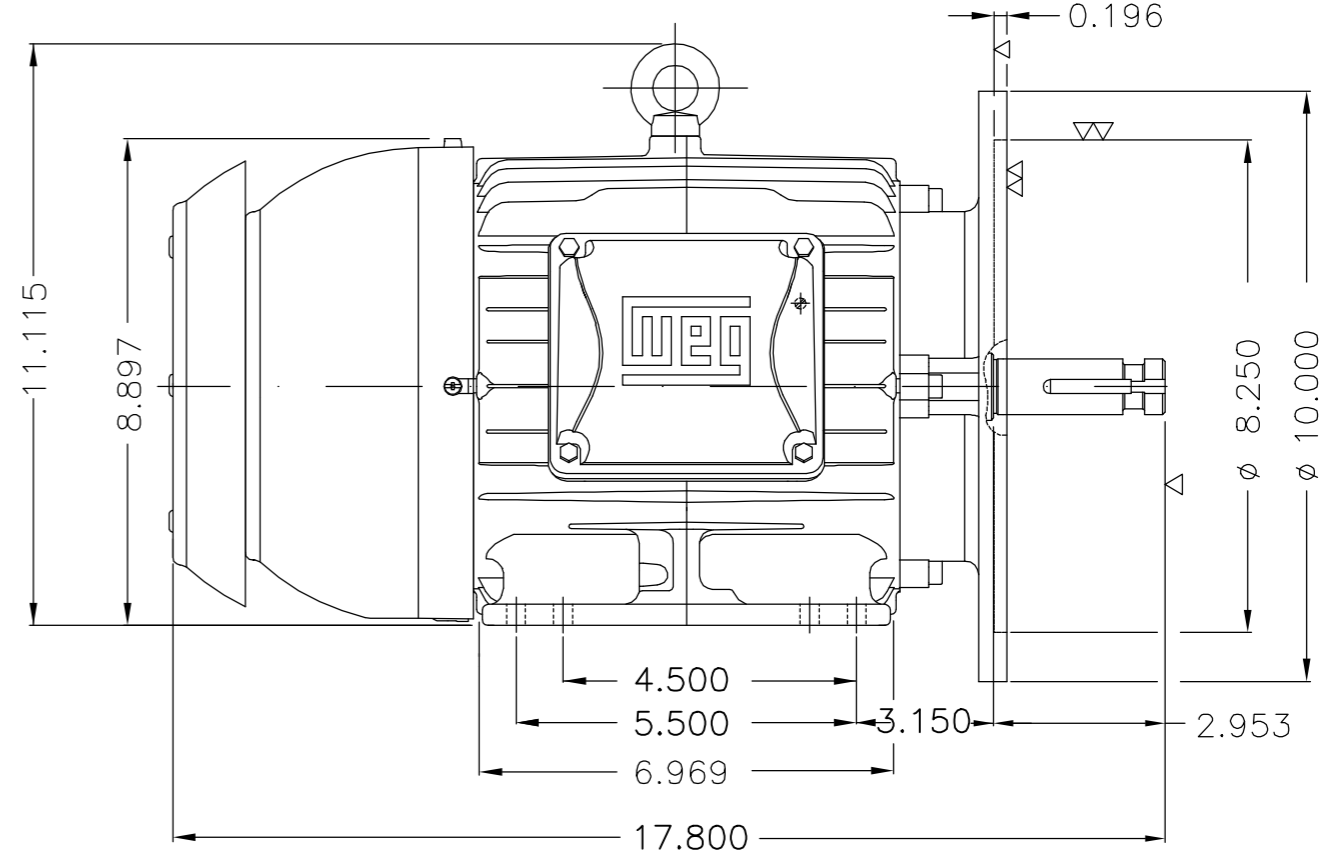
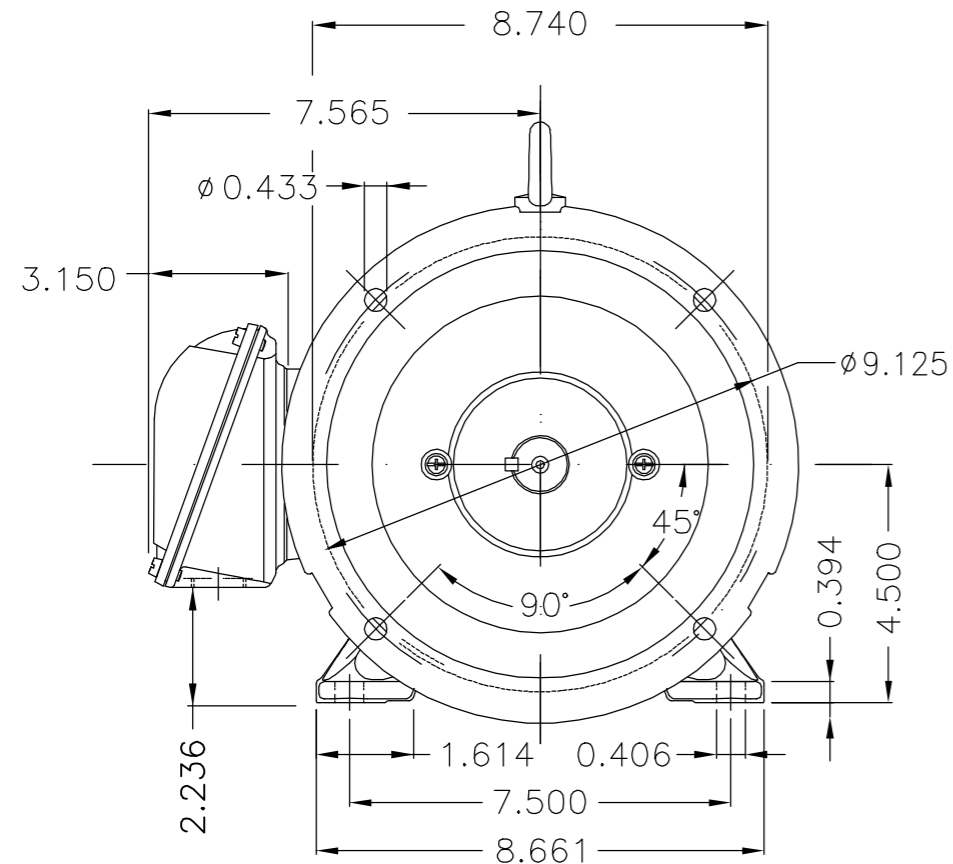
**CERTIFIED WEG MOTORES**  
Certified document.  
Not subject to changes.

THIS IS AN UPDATED REVISION, THE PREVIOUS ONE MUST BE DISREGARDED.



Main terminal box

Grounding for leads 2-10 mm<sup>2</sup> / 14-7 AWG



Cor RAL 5009 / Color RAL 5009  
Plano de pintura 207A / Painting plan 207A  
Forma construtiva NEMA W-6 / Mounting NEMA W-6  
Forma construtiva V15D / Mounting V15R(D)  
**V.J. PAMENSKY CANADA INC.**

500001505180		ALTERADO CONFORME CLAIM 415195664	PKREYSSIG	CLEBERP	CLEBERP	11.10.2018	01
500001302899		DOCUMENTO NOVO	JOAOVICTOR	ADEMILSON	ADEMILSON	26.04.2017	00
ECM	LOC	SUMMARY OF MODIFICATIONS	EXECUTED	CHECKED	RELEASED	DATE	VER
EXECUTED	JOAOVICTOR	THREE PHASE W22 P-BASE MOTOR PREMIUM EFF FRAME 182/4HP IP55 TEFC P. BASE	10004902537				
CHECKED	ADEMILSON		000	01			
RELEASED	ADEMILSON						
REL DT	26.04.2017	WMO	Jaragua do Sul	Product Engineering	SHEET	1 / 1	

5 HP 02 Poles 60Hz 414647698/1 MEC.

UNCONTROLLED COPY

RELEASED

ZME A3