

# DATA SHEET



## Three Phase Induction Motor - Squirrel Cage

Customer	:			
Product line	: JM Pump NEMA Premium Efficiency Three-Phase	Product code : 13942739		
Frame	: 143/5JM	Cooling method : IC411 - TEFC		
Insulation class	: F	Mounting : F-1		
Duty cycle	: Cont.(S1)	Rotation <sup>1</sup> : Both (CW and CCW)		
Ambient temperature	: -20°C to +40°C	Starting method : Direct On Line		
Altitude	: 1000 m.a.s.l.	Approx. weight <sup>3</sup> : 23.3 kg		
Protection degree	: IP55	Moment of inertia (J) : 0.0070 kgm <sup>2</sup>		
Design	: B			
Output [HP]		3		
Poles		2		
Frequency [Hz]		60		
Rated voltage [V]		575		
Rated current [A]		2.81		
L. R. Amperes [A]		26.7		
LRC [A]		9.5x(Code K)		
No load current [A]		1.02		
Rated speed [RPM]		3500		
Slip [%]		2.78		
Rated torque [kgfm]		0.622		
Locked rotor torque [%]		300		
Breakdown torque [%]		380		
Service factor		1.15		
Temperature rise		80 K		
Locked rotor time		18s (cold) 10s (hot)		
Noise level <sup>2</sup>		68.0 dB(A)		
Efficiency (%)	25%			
	50%	84.0		
	75%	86.5		
	100%	86.5		
Power Factor	25%			
	50%	0.78		
	75%	0.87		
	100%	0.91		
Bearing type	: <u>Drive end</u> 6206 ZZ <u>Non drive end</u> 6203 ZZ	Foundation loads		
Sealing	: V'Ring Without Bearing Seal	Max. traction : 56 kgf		
Lubrication interval	: - -	Max. compression : 79 kgf		
Lubricant amount	: - -			
Lubricant type	: Mobil Polyrex EM			
Notes				
This revision replaces and cancel the previous one, which must be eliminated. (1) Looking the motor from the shaft end. (2) Measured at 1m and with tolerance of +3dB(A). (3) Approximate weight subject to changes after manufacturing process. (4) At 100% of full load.		These are average values based on tests with sinusoidal power supply, subject to the tolerances stipulated in NEMA MG-1.		
Rev.	Changes Summary	Performed	Checked	Date
Performed by				
Checked by			Page	Revision
Date	11/05/2022		1 / 2	

# LOAD PERFORMANCE CURVE

Three Phase Induction Motor - Squirrel Cage

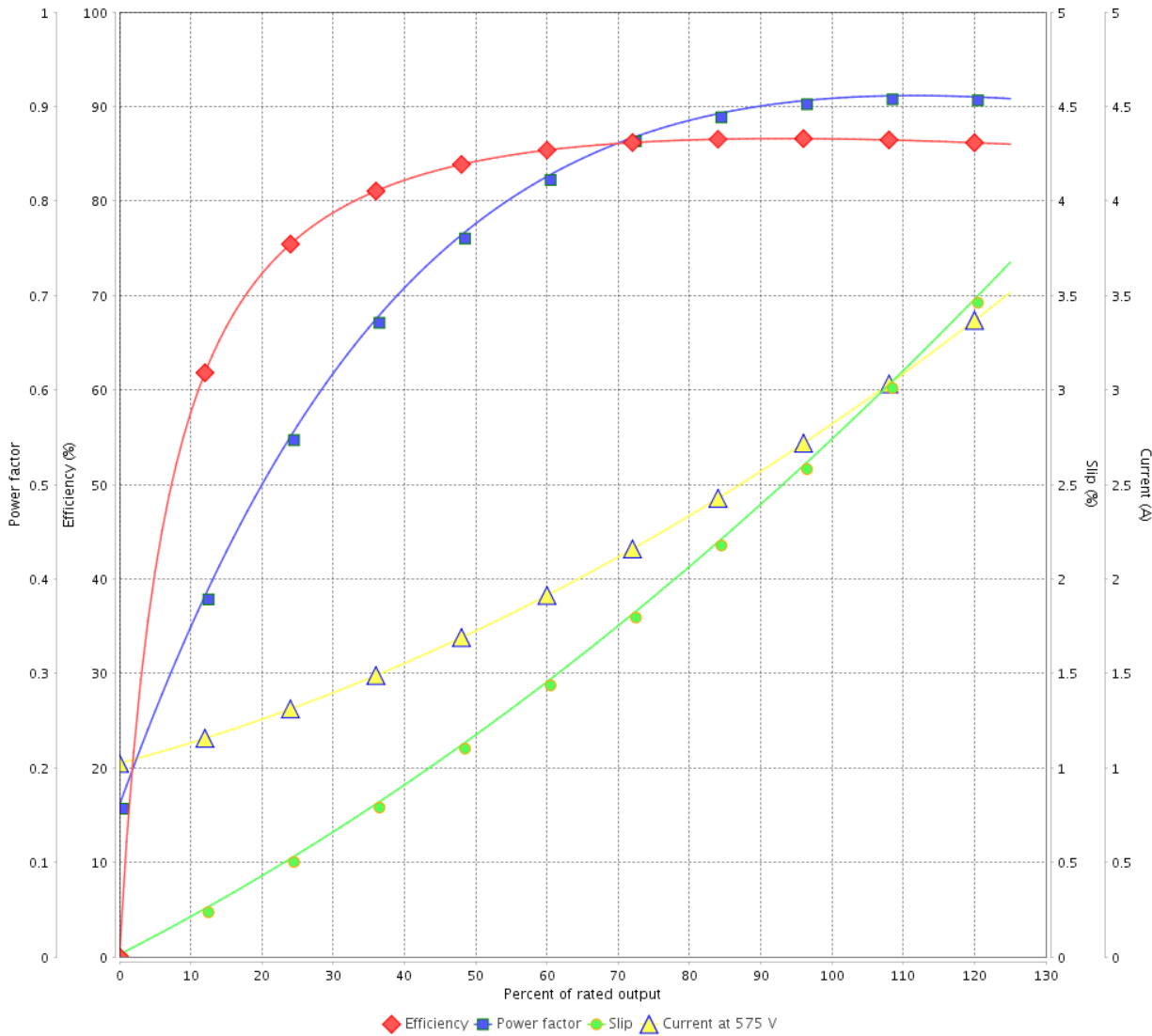


Customer : \_\_\_\_\_

Product line : JM Pump NEMA Premium  
Efficiency Three-Phase

Product code : 13942739

LOAD PERFORMANCE CURVE

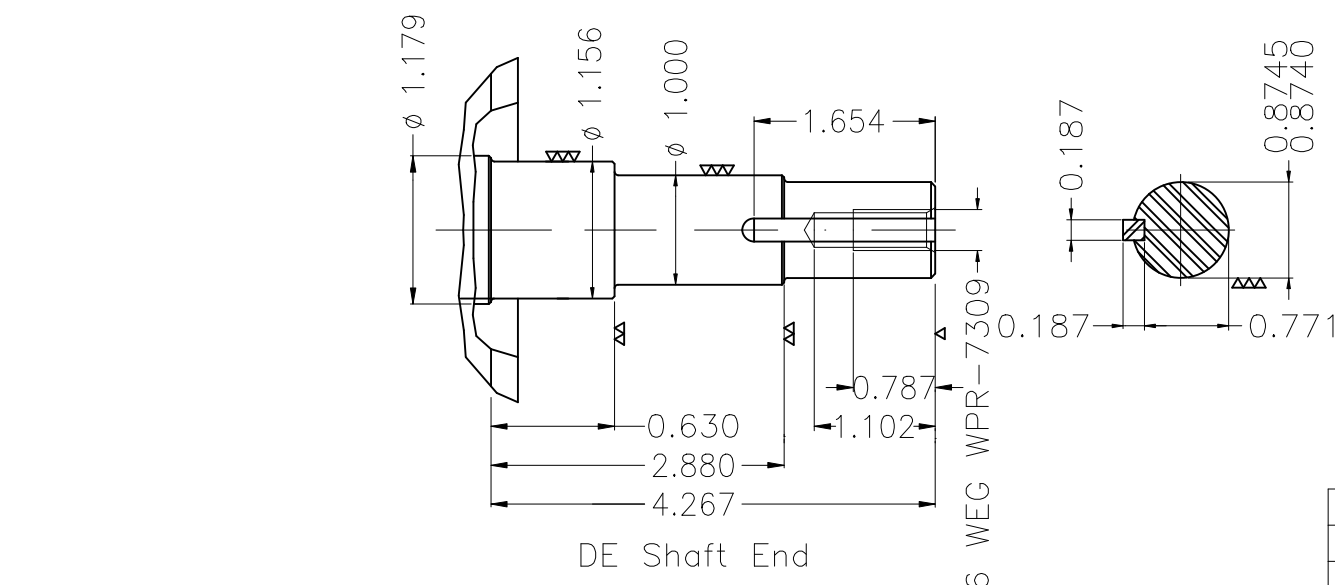
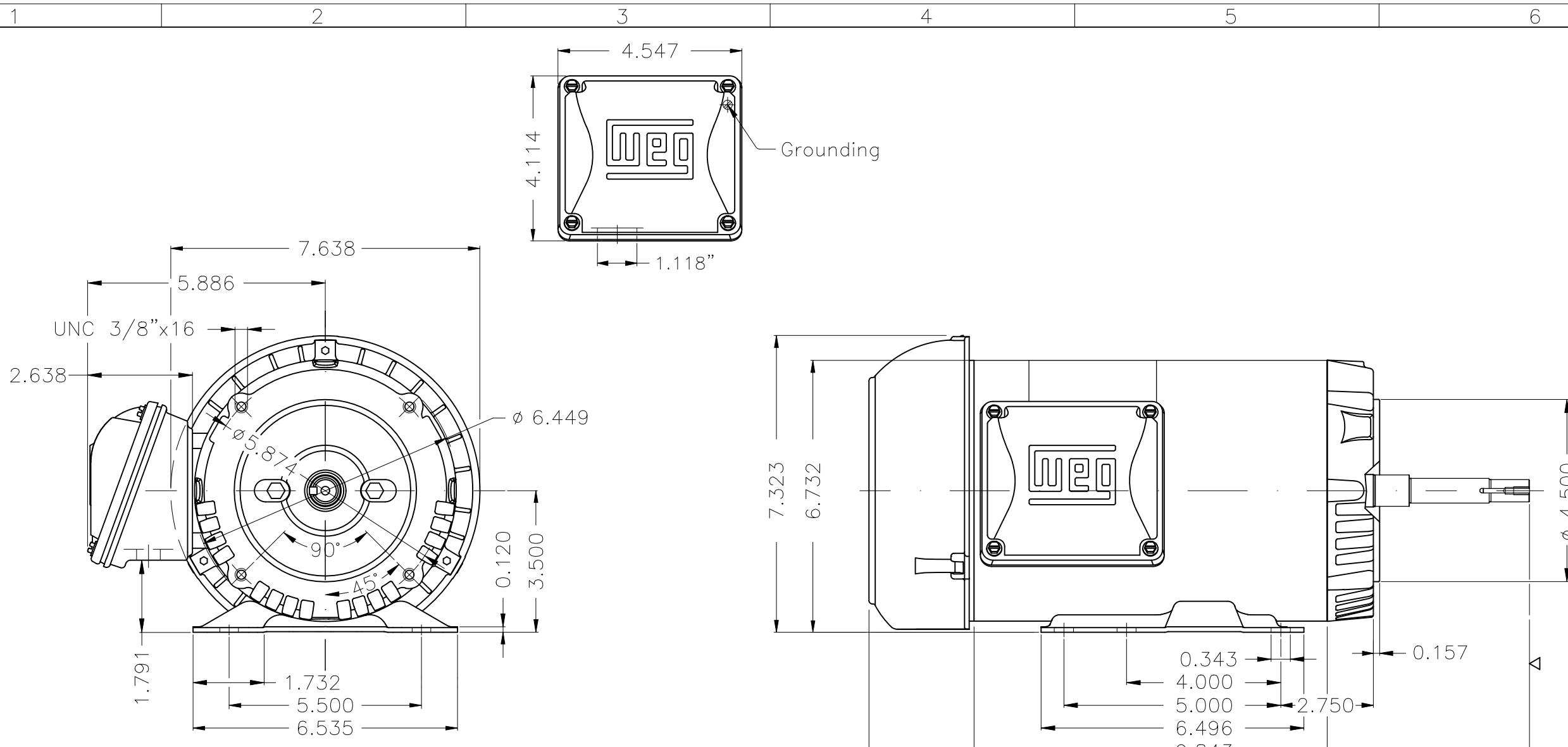


Performance : 575 V 60 Hz 2P

Rated current : 2.81 A  
LRC : 9.5  
Rated torque : 0.622 kgfm  
Locked rotor torque : 300 %  
Breakdown torque : 380 %  
Rated speed : 3500 rpm

Moment of inertia (J) : 0.0070 kgm<sup>2</sup>  
Duty cycle : Cont.(S1)  
Insulation class : F  
Service factor : 1.15  
Temperature rise : 80 K  
Design : B

Rev.	Changes Summary	Performed	Checked	Date
Performed by			Page 2 / 2	Revision
Checked by				
Date	11/05/2022			



DE Shaft End

EUNC 3/8"-16 WEG WPR-7309

Color Munsell N 1 matte black					
Painting plan 207N					
Mounting B34D					
				HYBRISUSER	00
ECM	LOC	SUMMARY OF MODIFICATIONS	EXECUTED	CHECKED	RELEASED DATE VER
EXECUTED	HYBRISUSER	THREE PH. MOTOR ROLLED STEEL JM NEMA PREM. EFF.			
CHECKED		FRAME 143/5JM IP55 TEFC			
RELEASED					
REL. DATE	WMO	Jaragua do Sul	Product Engineering	WDD	00
			SHEET	1 / 1	

3 HP 02 Poles 60 Hz



Dimensions in inches XME A3