

DATA SHEET

Three Phase Induction Motor - Squirrel Cage



Customer	:		
Product line	: Premium Efficiency Three-Phase	Product code :	13484359
Frame	: 56C	Cooling method	: IC411 - TEFC
Insulation class	: F	Mounting	: F-1
Duty cycle	: Cont.(S1)	Rotation ¹	: Both (CW and CCW)
Ambient temperature	: -20°C to +40°C	Starting method	: Direct On Line
Altitude	: 1000 m.a.s.l.	Approx. weight ³	: 18.6 kg
Protection degree	: IP55	Moment of inertia (J)	: 0.0055 kgm ²
Design	: B		
Output [HP]	2	2	2
Poles	4	4	4
Frequency [Hz]	60	50	50
Rated voltage [V]	230/460	190-220/380	415
Rated current [A]	5.44/2.72	6.50-5.61/3.25	3.07
L. R. Amperes [A]	44.6/22.3	39.0-33.7/19.5	21.8
LRC [A]	8.2x(Code K)	6.0x(Code H)	7.1x(Code J)
No load current [A]	2.80/1.40	2.75-2.37/1.37	1.64
Rated speed [RPM]	1745	1415	1435
Slip [%]	3.06	5.67	4.33
Rated torque [kgfm]	0.832	1.03	1.01
Locked rotor torque [%]	270	210	270
Breakdown torque [%]	300	240	300
Service factor		1.15	1.15
Temperature rise	80 K	80 K	80 K
Locked rotor time	27s (cold) 15s (hot)	25s (cold) 14s (hot)	21s (cold) 12s (hot)
Noise level ²	52.0 dB(A)	49.0 dB(A)	49.0 dB(A)
Efficiency (%)	25%		
	50%	85.5	85.4
	75%	87.5	84.9
	100%	86.5	82.6
Power Factor	25%		
	50%	0.60	0.68
	75%	0.73	0.80
	100%	0.80	0.85
Bearing type	: Drive end 6204 ZZ Non drive end 6202 ZZ	Foundation loads	
Sealing	: V'Ring Without Bearing Seal	Max. traction	: 88 kgf
Lubrication interval	: - -	Max. compression	: 107 kgf
Lubricant amount	: - -		
Lubricant type	: Mobil Polyrex EM		
Notes			
USABLE @208V 6.02A SF 1.00 SFA 6.02A			
This revision replaces and cancel the previous one, which must be eliminated. (1) Looking the motor from the shaft end. (2) Measured at 1m and with tolerance of +3dB(A). (3) Approximate weight subject to changes after manufacturing process. (4) At 100% of full load.		These are average values based on tests with sinusoidal power supply, subject to the tolerances stipulated in NEMA MG-1.	
Rev.	Changes Summary	Performed	Checked
Performed by			
Checked by			
Date	11/05/2022		
		Page	Revision
		1 / 4	

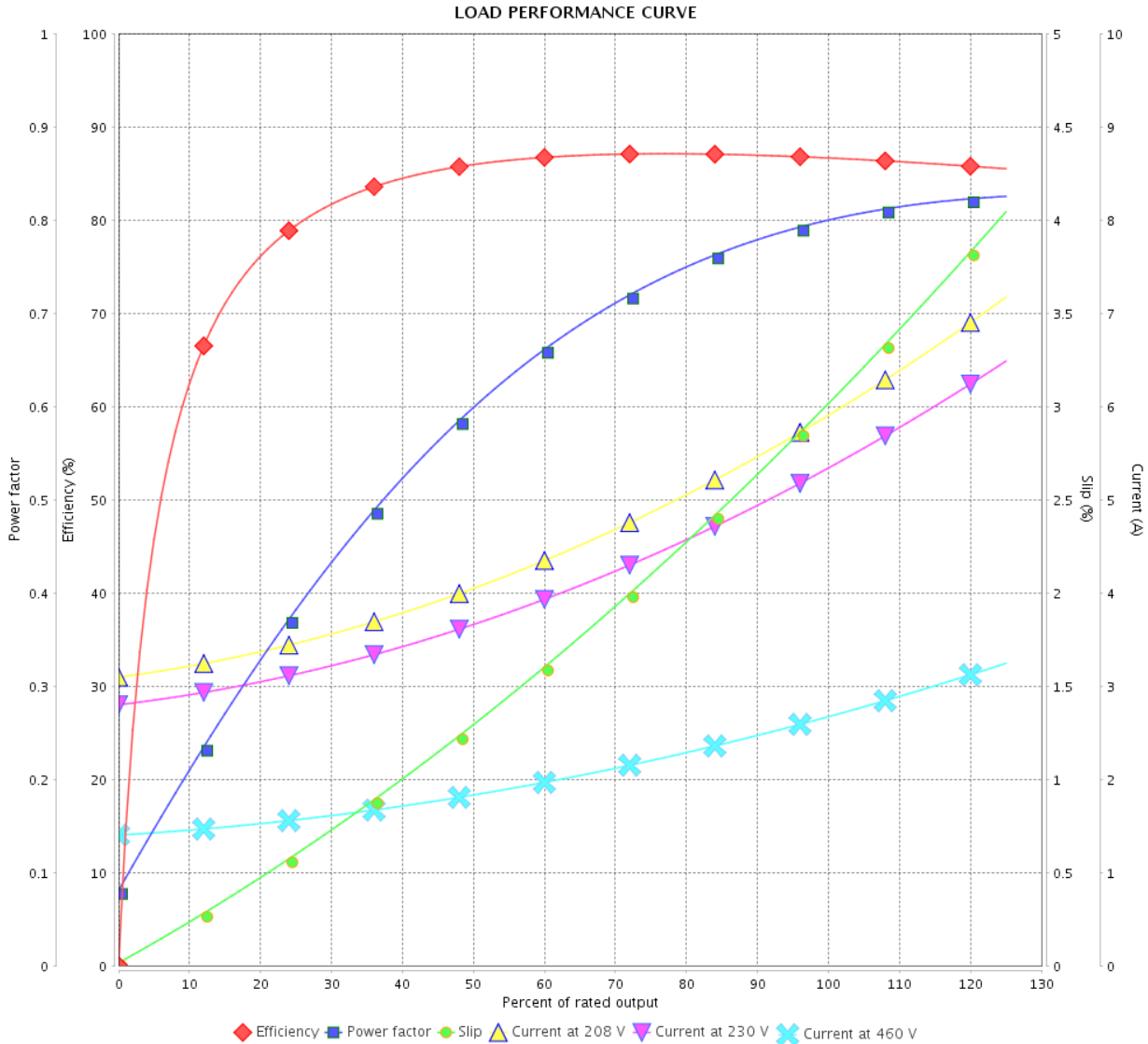
LOAD PERFORMANCE CURVE

Three Phase Induction Motor - Squirrel Cage



Customer :

Product line : Premium Efficiency Three-Phase Product code : 13484359



Performance : 230/460 V 60 Hz 4P

Rated current : 5.44/2.72 A
 LRC : 8.2
 Rated torque : 0.832 kgfm
 Locked rotor torque : 270 %
 Breakdown torque : 300 %
 Rated speed : 1745 rpm

Moment of inertia (J) : 0.0055 kgm²
 Duty cycle : Cont.(S1)
 Insulation class : F
 Service factor :
 Temperature rise : 80 K
 Design : B

Rev.	Changes Summary	Performed	Checked	Date
Performed by			Page	Revision
Checked by				
Date				

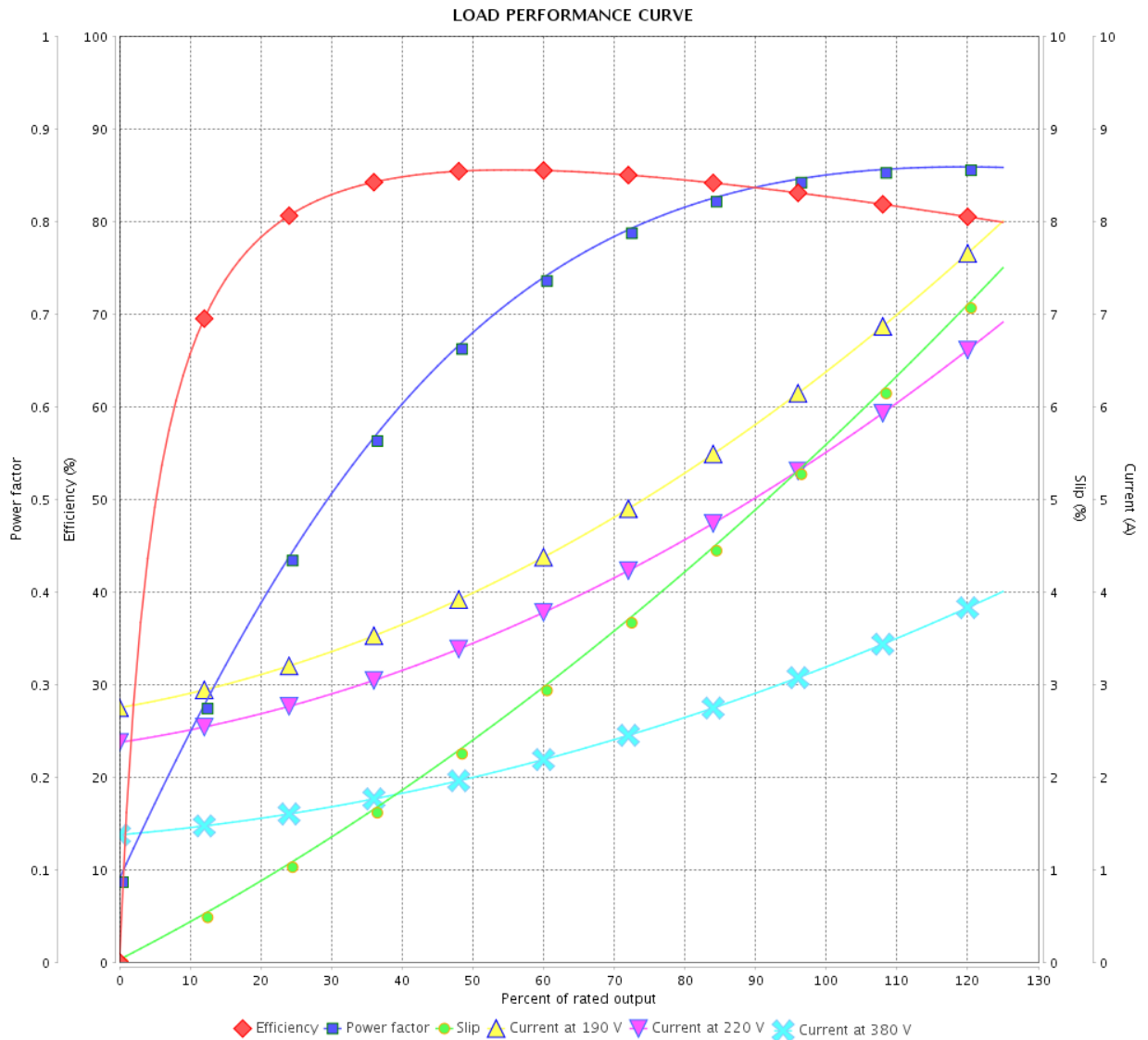
LOAD PERFORMANCE CURVE

Three Phase Induction Motor - Squirrel Cage



Customer : _____

Product line : Premium Efficiency Three-Phase Product code : 13484359



Performance : 190-220/380 V 50 Hz 4P

Rated current : 6.50-5.61/3.25 A
 LRC : 6.0
 Rated torque : 1.03 kgfm
 Locked rotor torque : 210 %
 Breakdown torque : 240 %
 Rated speed : 1415 rpm

Moment of inertia (J) : 0.0055 kgm²
 Duty cycle : Cont.(S1)
 Insulation class : F
 Service factor : 1.15
 Temperature rise : 80 K
 Design : B

Rev.	Changes Summary	Performed	Checked	Date
Performed by			Page	Revision
Checked by				
Date				

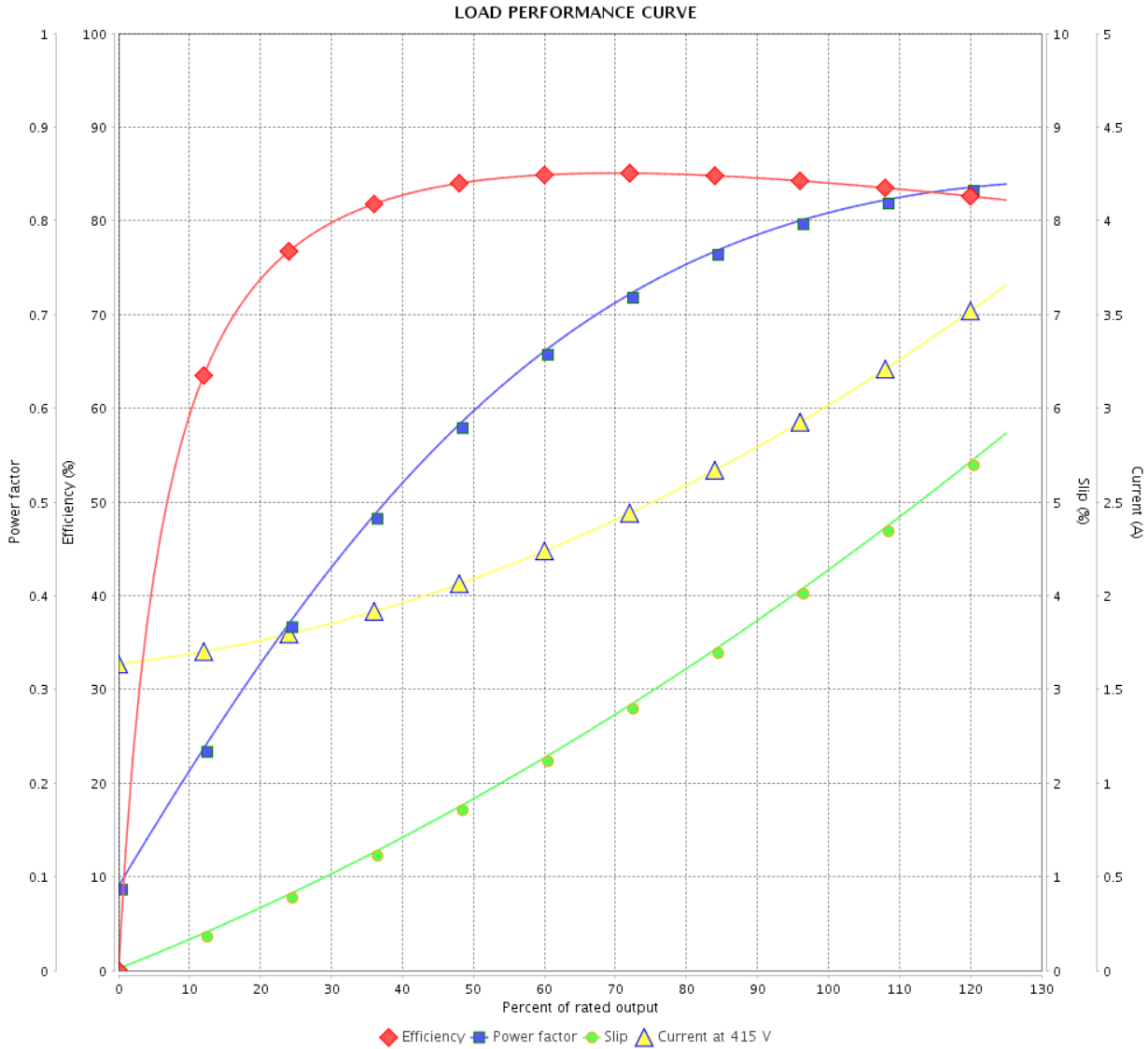
LOAD PERFORMANCE CURVE

Three Phase Induction Motor - Squirrel Cage



Customer :

Product line : Premium Efficiency Three-Phase Product code : 13484359



Performance : 415 V 50 Hz 4P

Rated current	: 3.07 A	Moment of inertia (J)	: 0.0055 kgm ²
LRC	: 7.1	Duty cycle	: Cont.(S1)
Rated torque	: 1.01 kgfm	Insulation class	: F
Locked rotor torque	: 270 %	Service factor	: 1.15
Breakdown torque	: 300 %	Temperature rise	: 80 K
Rated speed	: 1435 rpm	Design	: B

Rev.	Changes Summary	Performed	Checked	Date
Performed by			Page 4 / 4	Revision
Checked by				
Date	11/05/2022			

1 2 3 4 5 6

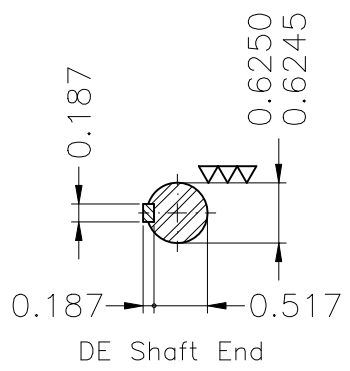
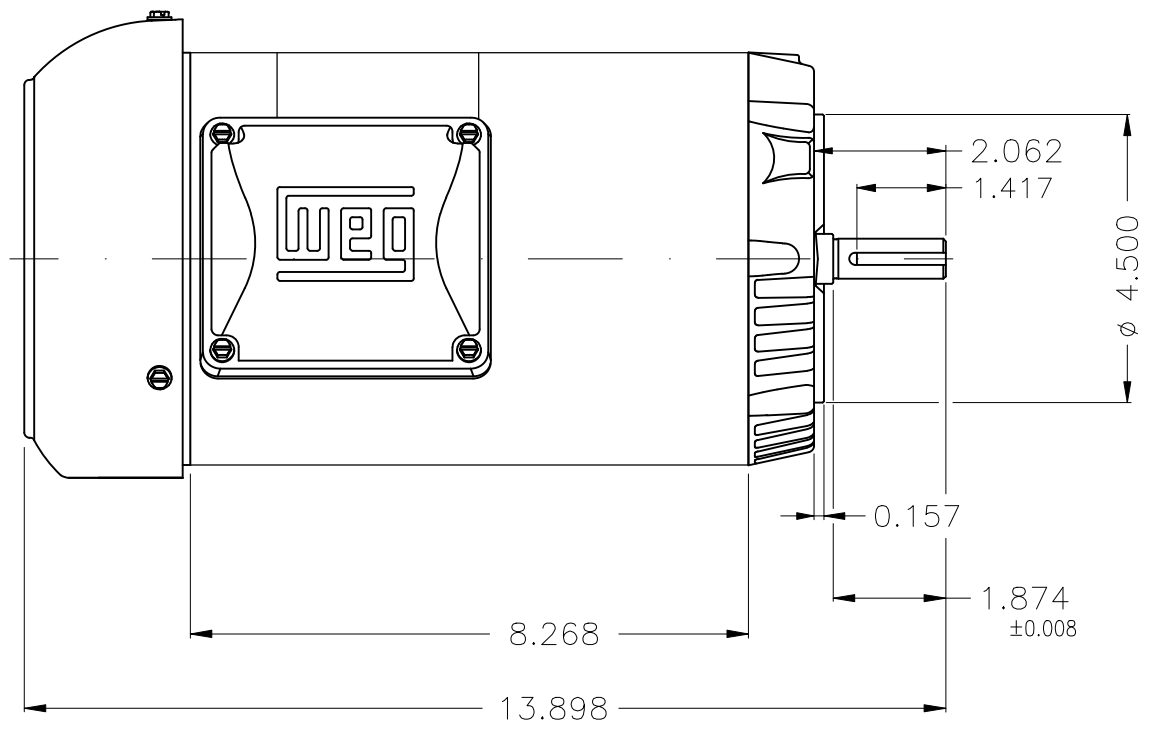
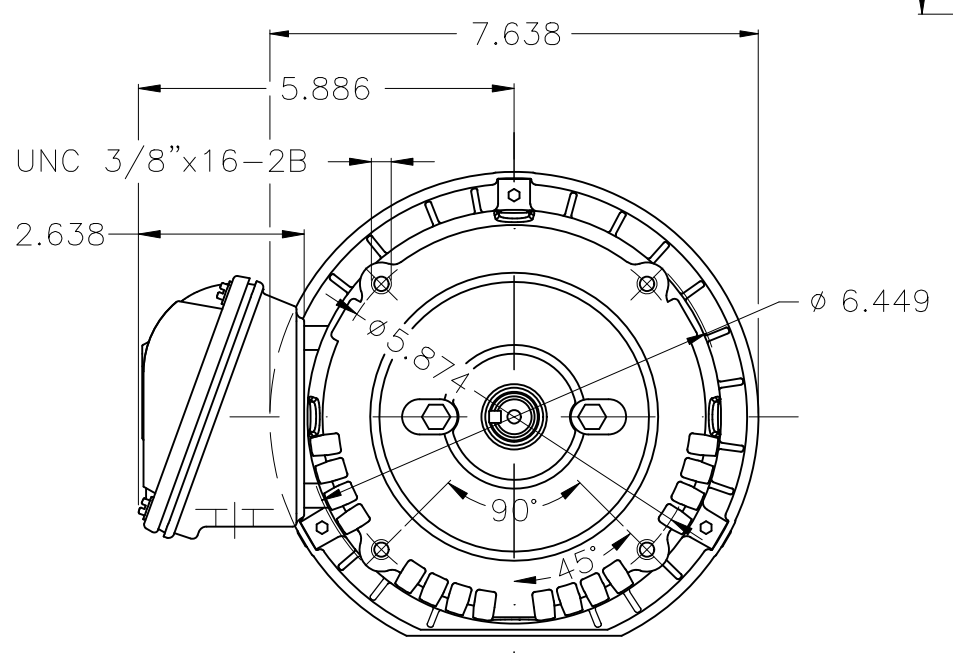
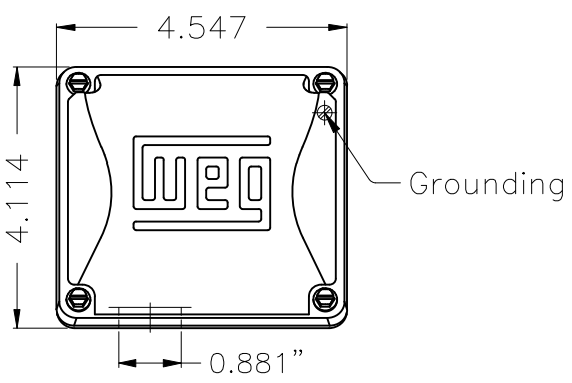
A

B

C

D

E



Fan cover - steel plate
 Color Munsell N 1 matte black
 Painting plan 207N
 Mounting F-1/B14R(D)

ECM	LOC	SUMMARY OF MODIFICATIONS	EXECUTED	CHECKED	RELEASED	DATE	VER
EXECUTED	HYBRISUSER	THREE PH. MOTOR ROLLED STEEL PREM. EFF.					00
CHECKED		FRAME 56C IP55 TEFC					
RELEASED							
REL. DATE	WMO	Jaragua do Sul	Product Engineering	SHEET	1 / 1		

2 HP 04 Poles 60 Hz

A

PREVIEW
 WDD 00

