

DATA SHEET

Single Phase Induction Motor - Squirrel Cage



Customer :				
Product line	: Jet Pump - J type Single-Phase			
Product code :	13922050			
Frame	: W56J			
Insulation class	: F			
Duty cycle	: Cont.(S1)			
Ambient temperature	: -20°C to +40°C			
Altitude	: 1000 m.a.s.l.			
Protection degree	: IP55			
Design	: N			
Cooling method	: IC411 - TEFC			
Mounting	: F-1			
Rotation ¹	: CCW			
Starting method	: Direct On Line			
Approx. weight ³	: 9.5 kg			
Moment of inertia (J)	: 0.0010 kgm ²			
Output [HP]	0.5			
Poles	2			
Frequency [Hz]	60			
Rated voltage [V]	115/208-230			
Rated current [A]	7.00/3.87-3.50			
L. R. Amperes [A]	56.0/31.0-28.0			
LRC [A]	8.0x(Code P)			
No load current [A]	4.80/2.07-2.40			
Rated speed [RPM]	3500			
Slip [%]	2.78			
Rated torque [kgfm]	0.104			
Locked rotor torque [%]	290			
Breakdown torque [%]	300			
Service factor				
Temperature rise	80 K			
Locked rotor time	12s (cold) 7s (hot)			
Noise level ²	66.0 dB(A)			
Efficiency (%)	25%			
	50%	50.0		
	75%	58.0		
	100%	60.0		
Power Factor	25%			
	50%	0.59		
	75%	0.69		
	100%	0.76		
Bearing type	: <u>Drive end</u> 6203 2RS <u>Non drive end</u> 6202 2RS			
Sealing	: V'Ring V'Ring			
Lubrication interval	: - -			
Lubricant amount	: - -			
Lubricant type	: Mobil Polyrex EM			
Foundation loads				
Max. traction	: 5 kgf			
Max. compression	: 14 kgf			
Notes				
This revision replaces and cancel the previous one, which must be eliminated. (1) Looking the motor from the shaft end. (2) Measured at 1m and with tolerance of +3dB(A). (3) Approximate weight subject to changes after manufacturing process. (4) At 100% of full load.				
These are average values based on tests with sinusoidal power supply, subject to the tolerances stipulated in NEMA MG-1.				
Rev.	Changes Summary	Performed	Checked	Date
Performed by				
Checked by			Page	Revision
Date	11/05/2022		1 / 2	

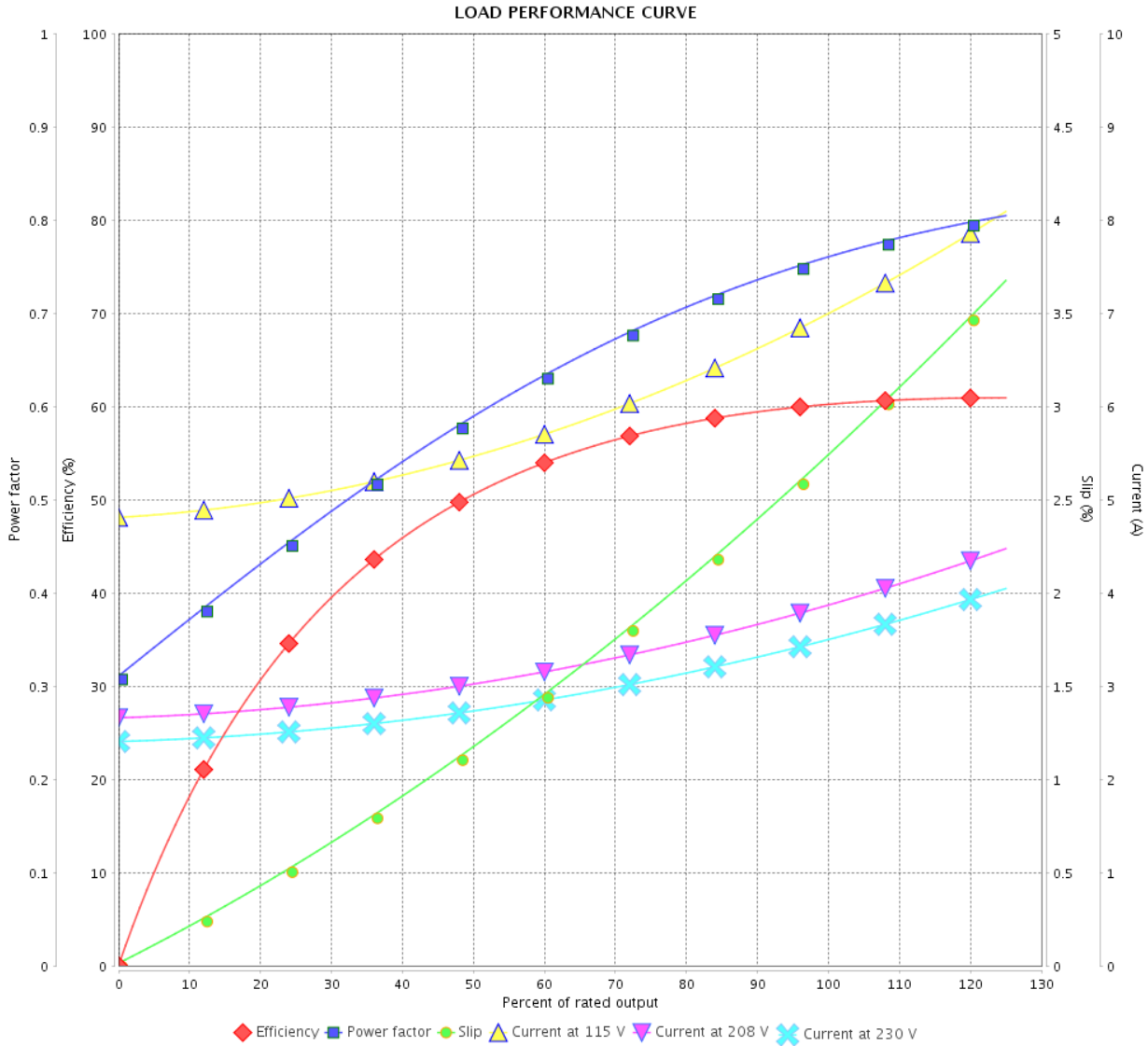
LOAD PERFORMANCE CURVE

Single Phase Induction Motor - Squirrel Cage



Customer :

Product line : Jet Pump - J type Single-Phase Product code : 13922050



Performance : 115/208-230 V 60 Hz 2P

Rated current	: 7.00/3.87-3.50 A	Moment of inertia (J)	: 0.0010 kgm ²
LRC	: 8.0	Duty cycle	: Cont.(S1)
Rated torque	: 0.104 kgfm	Insulation class	: F
Locked rotor torque	: 290 %	Service factor	:
Breakdown torque	: 300 %	Temperature rise	: 80 K
Rated speed	: 3500 rpm	Design	: N

Rev.	Changes Summary	Performed	Checked	Date
Performed by			Page	Revision
Checked by			2 / 2	
Date	11/05/2022			

1 2 3 4 5 6

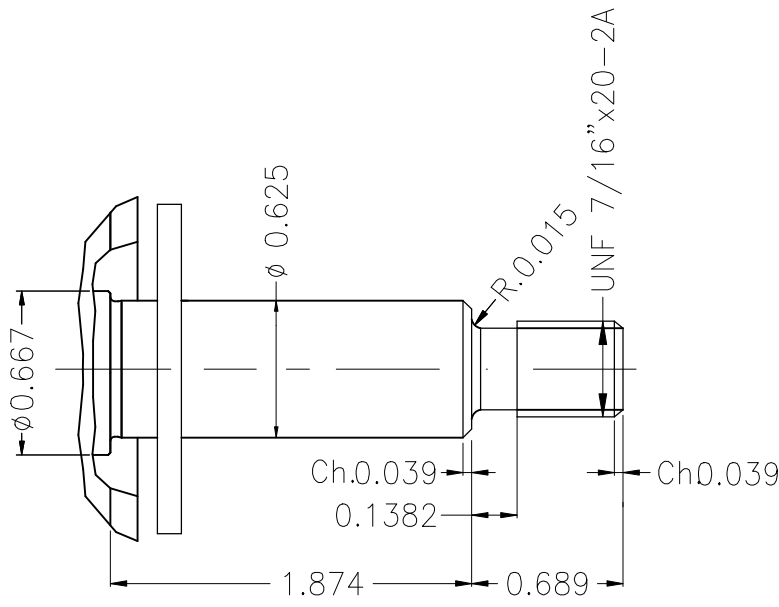
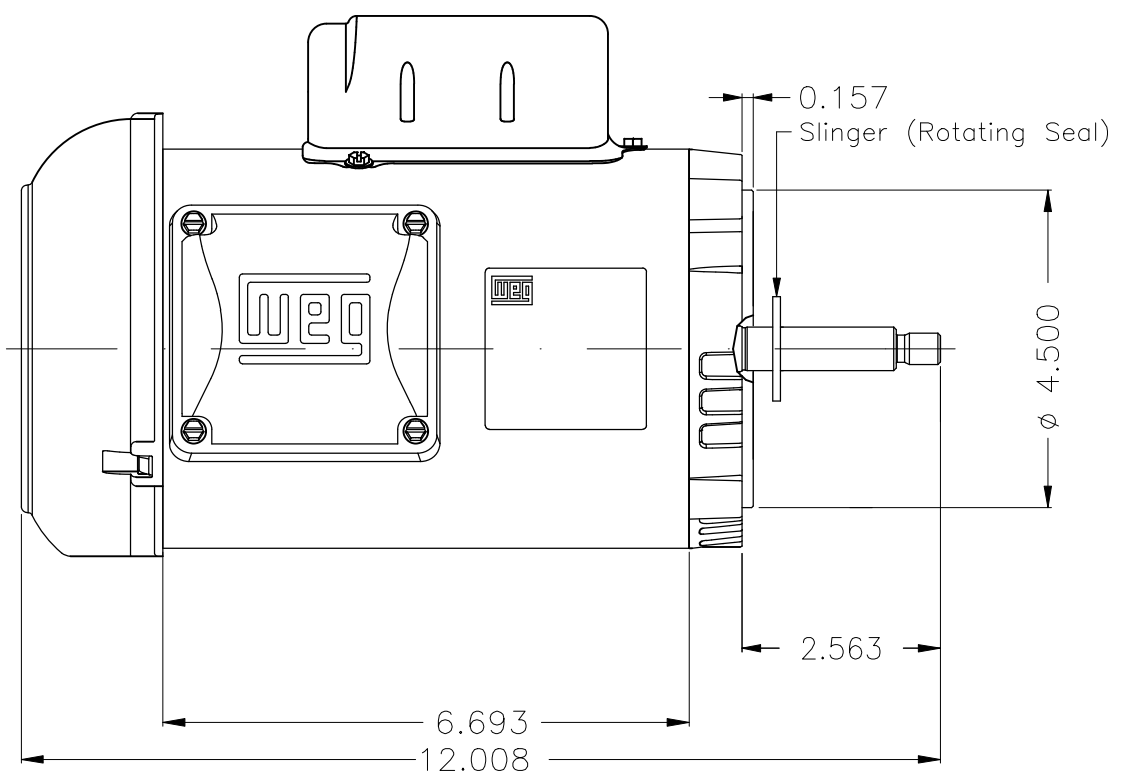
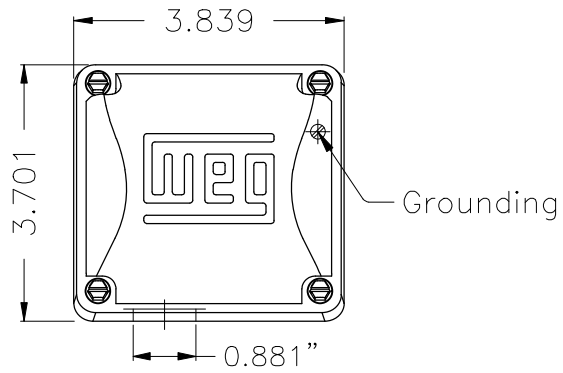
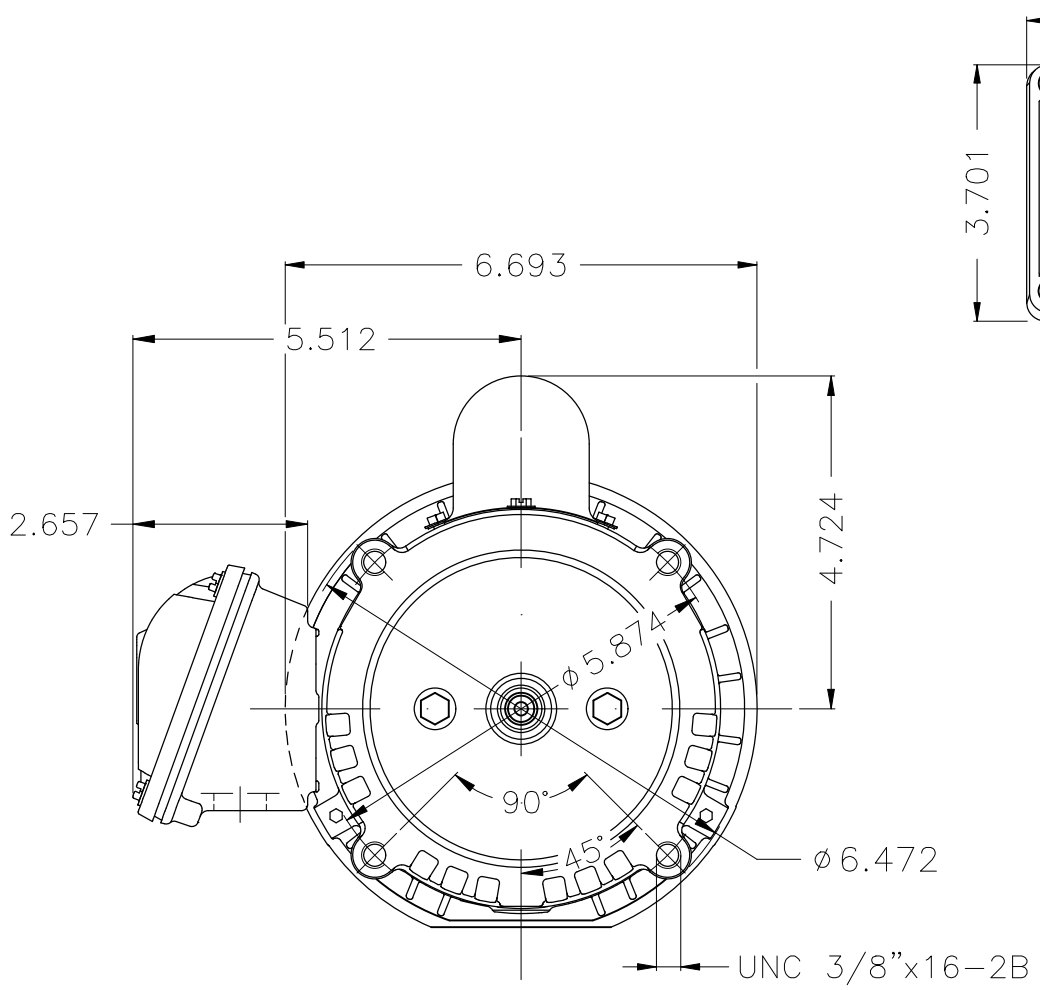
A

B

C

D

E



Color Munsell N 1 matte black
 Painting plan 207N
 Mounting F-1/B14R(D)

ECM	LOC	SUMMARY OF MODIFICATIONS	EXECUTED	CHECKED	RELEASED	DATE	VER
EXECUTED	HYBRISUSER	SINGLE PH. MOTOR ROLLED STEEL JET PUMP THREADED FRAME W56J IP55 TEFC					
CHECKED							
RELEASED							
REL. DATE	WMO	Jaragua do Sul	Product Engineering	WDD	00	1 / 1	

0.5 HP 02 Poles 60 Hz

A



Dimensions in inches XME A3