

DATA SHEET

Single Phase Induction Motor - Squirrel Cage



Customer	:			
Product line	: Jet Pump - J type Single-Phase	Product code : 13950889		
Frame	: 56J	Cooling method : IC01 - ODP		
Insulation class	: F	Mounting : F-1		
Duty cycle	: Cont.(S1)	Rotation ¹ : CCW		
Ambient temperature	: -20°C to +40°C	Starting method : Direct On Line		
Altitude	: 1000 m.a.s.l.	Approx. weight ² : 19.6 kg		
Design	: L	Moment of inertia (J) : 0.0036 kgm ²		
Output [HP]		3		
Poles		2		
Frequency [Hz]		60		
Rated voltage [V]		230		
Rated current [A]		13.2		
L. R. Amperes [A]		106		
LRC [A]		8.0x(Code K)		
No load current [A]		4.50		
Rated speed [RPM]		3485		
Slip [%]		3.19		
Rated torque [kgfm]		0.625		
Locked rotor torque [%]		200		
Breakdown torque [%]		250		
Service factor		1.15		
Temperature rise		80 K		
Locked rotor time		10s (cold) 6s (hot)		
Noise level ²		58.0 dB(A)		
Efficiency (%)	25%			
	50%	71.0		
	75%	76.0		
	100%	78.0		
Power Factor	25%			
	50%	0.85		
	75%	0.91		
	100%	0.93		
Bearing type	: <u>Drive end</u> 6203 2RS <u>Non drive end</u> 6202 2RS	Foundation loads		
Sealing	: Without Bearing Seal Without Bearing Seal	Max. traction : 39 kgf		
Lubrication interval	: - -	Max. compression : 59 kgf		
Lubricant amount	: - -			
Lubricant type	: Mobil Polyrex EM			
Notes				
<p>This revision replaces and cancel the previous one, which must be eliminated.</p> <p>(1) Looking the motor from the shaft end.</p> <p>(2) Measured at 1m and with tolerance of +3dB(A).</p> <p>(3) Approximate weight subject to changes after manufacturing process.</p> <p>(4) At 100% of full load.</p>		<p>These are average values based on tests with sinusoidal power supply, subject to the tolerances stipulated in NEMA MG-1.</p>		
Rev.	Changes Summary	Performed	Checked	Date
Performed by				
Checked by			Page	Revision
Date	11/05/2022		1 / 2	

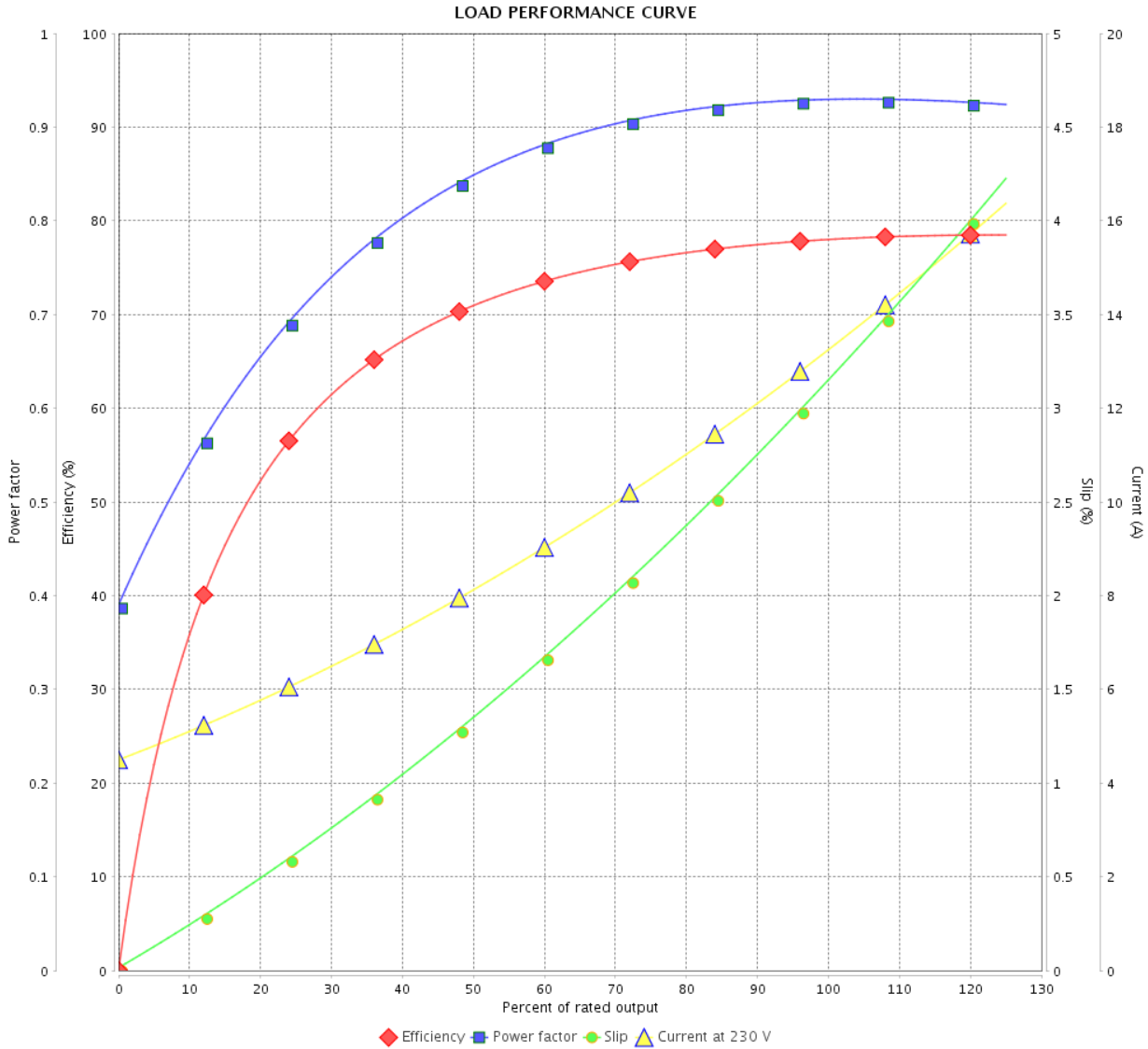
LOAD PERFORMANCE CURVE

Single Phase Induction Motor - Squirrel Cage



Customer :

Product line : Jet Pump - J type Single-Phase Product code : 13950889



Performance : 230 V 60 Hz 2P

Rated current	: 13.2 A	Moment of inertia (J)	: 0.0036 kgm ²
LRC	: 8.0	Duty cycle	: Cont.(S1)
Rated torque	: 0.625 kgfm	Insulation class	: F
Locked rotor torque	: 200 %	Service factor	: 1.15
Breakdown torque	: 250 %	Temperature rise	: 80 K
Rated speed	: 3485 rpm	Design	: L

Rev.	Changes Summary	Performed	Checked	Date
Performed by			Page 2 / 2	Revision
Checked by				
Date	11/05/2022			

1 2 3 4 5 6

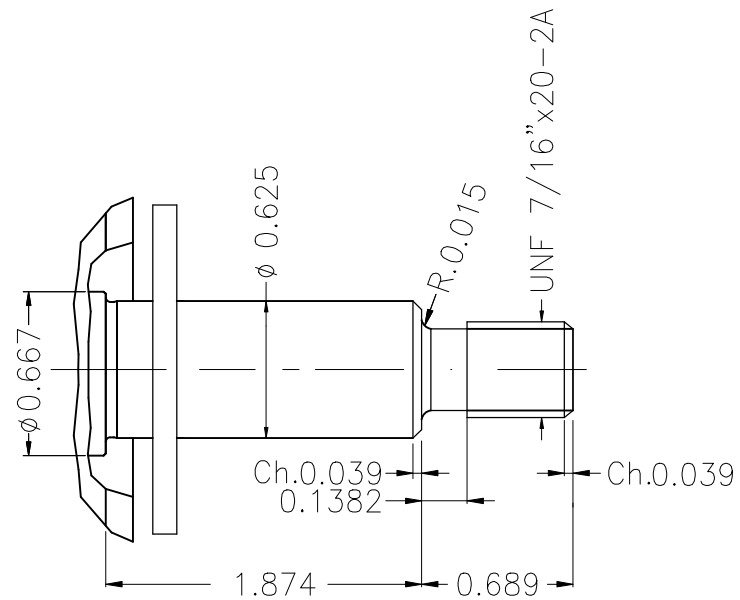
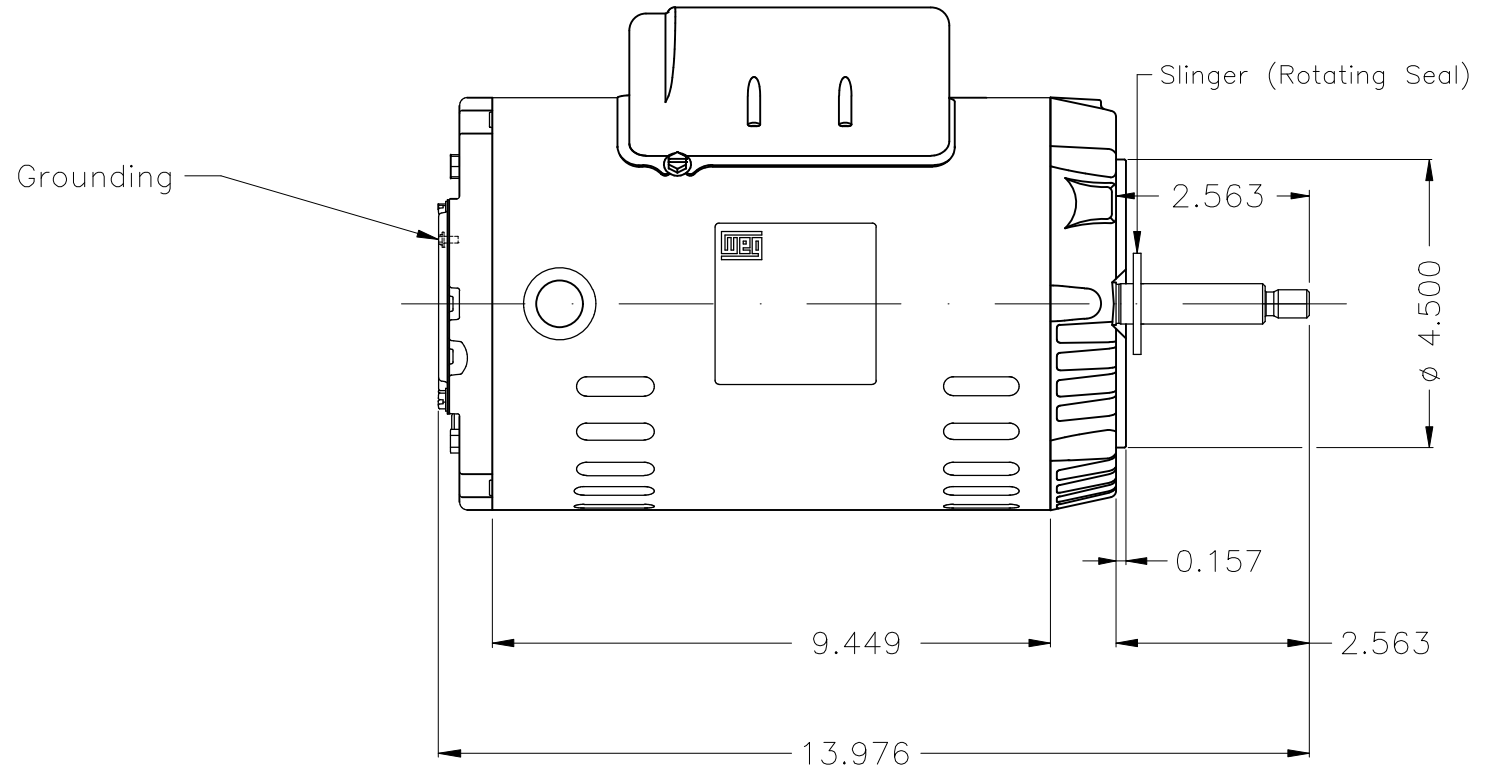
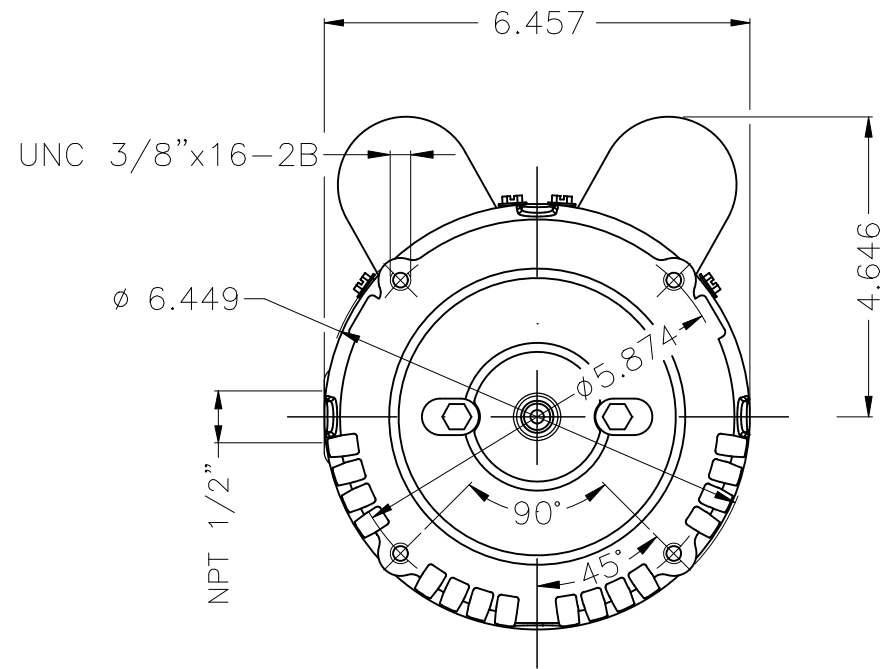
A

B

C

D

E



Color Munsell N 1 matte black						
Painting plan 207N						
Mounting F-1/B14R(D)						
				HYBRISUSER		00
ECM	LOC	SUMMARY OF MODIFICATIONS		EXECUTED	CHECKED	RELEASED DATE VER
EXECUTED	HYBRISUSER	SINGLE PH. MOTOR ROLLED STEEL JET PUMP THREADED				
CHECKED		FRAME 56J IP21 ODP				
RELEASED						
REL. DATE		WMO	Jaragua do Sul	Product Engineering	WDD	00
				SHEET	1 / 1	

3 HP 02 Poles 60 Hz

A

