

# DATA SHEET

## Single Phase Induction Motor - Squirrel Cage



Customer					
Product line	: Jet Pump - C type Single-Phase	Product code :	13910336		
Frame	: W56C	Cooling method	: IC411 - TEFC		
Insulation class	: F	Mounting	: F-1		
Duty cycle	: Cont.(S1)	Rotation <sup>1</sup>	: CCW		
Ambient temperature	: -20°C to +40°C	Starting method	: Direct On Line		
Altitude	: 1000 m.a.s.l.	Approx. weight <sup>3</sup>	: 9.5 kg		
Protection degree	: IP55	Moment of inertia (J)	: 0.0010 kgm <sup>2</sup>		
Design	: N				
Output [HP]	0.5				
Poles	2				
Frequency [Hz]	60				
Rated voltage [V]	115/208-230				
Rated current [A]	7.00/3.87-3.50				
L. R. Amperes [A]	56.0/31.0-28.0				
LRC [A]	8.0x(Code P)				
No load current [A]	4.80/2.07-2.40				
Rated speed [RPM]	3500				
Slip [%]	2.78				
Rated torque [kgfm]	0.104				
Locked rotor torque [%]	290				
Breakdown torque [%]	300				
Service factor					
Temperature rise	80 K				
Locked rotor time	12s (cold) 7s (hot)				
Noise level <sup>2</sup>	66.0 dB(A)				
Efficiency (%)	25%	48.1			
	50%	50.0			
	75%	58.0			
	100%	60.0			
Power Factor	25%	0.34			
	50%	0.59			
	75%	0.69			
	100%	0.76			
Bearing type	: Drive end : 6203 2RS	Non drive end : 6202 2RS	Foundation loads		
Sealing	: V'Ring	Without Bearing Seal	Max. traction	: 5 kgf	
			Max. compression	: 14 kgf	
Lubrication interval	: -	-			
Lubricant amount	: -	-			
Lubricant type	: Mobil Polyrex EM				
Notes					
This revision replaces and cancel the previous one, which must be eliminated. (1) Looking the motor from the shaft end. (2) Measured at 1m and with tolerance of +3dB(A). (3) Approximate weight subject to changes after manufacturing process. (4) At 100% of full load.			These are average values based on tests with sinusoidal power supply, subject to the tolerances stipulated in NEMA MG-1.		
Rev.	Changes Summary		Performed	Checked	Date
Performed by					
Checked by				Page	Revision
Date	11/05/2022			1 / 2	

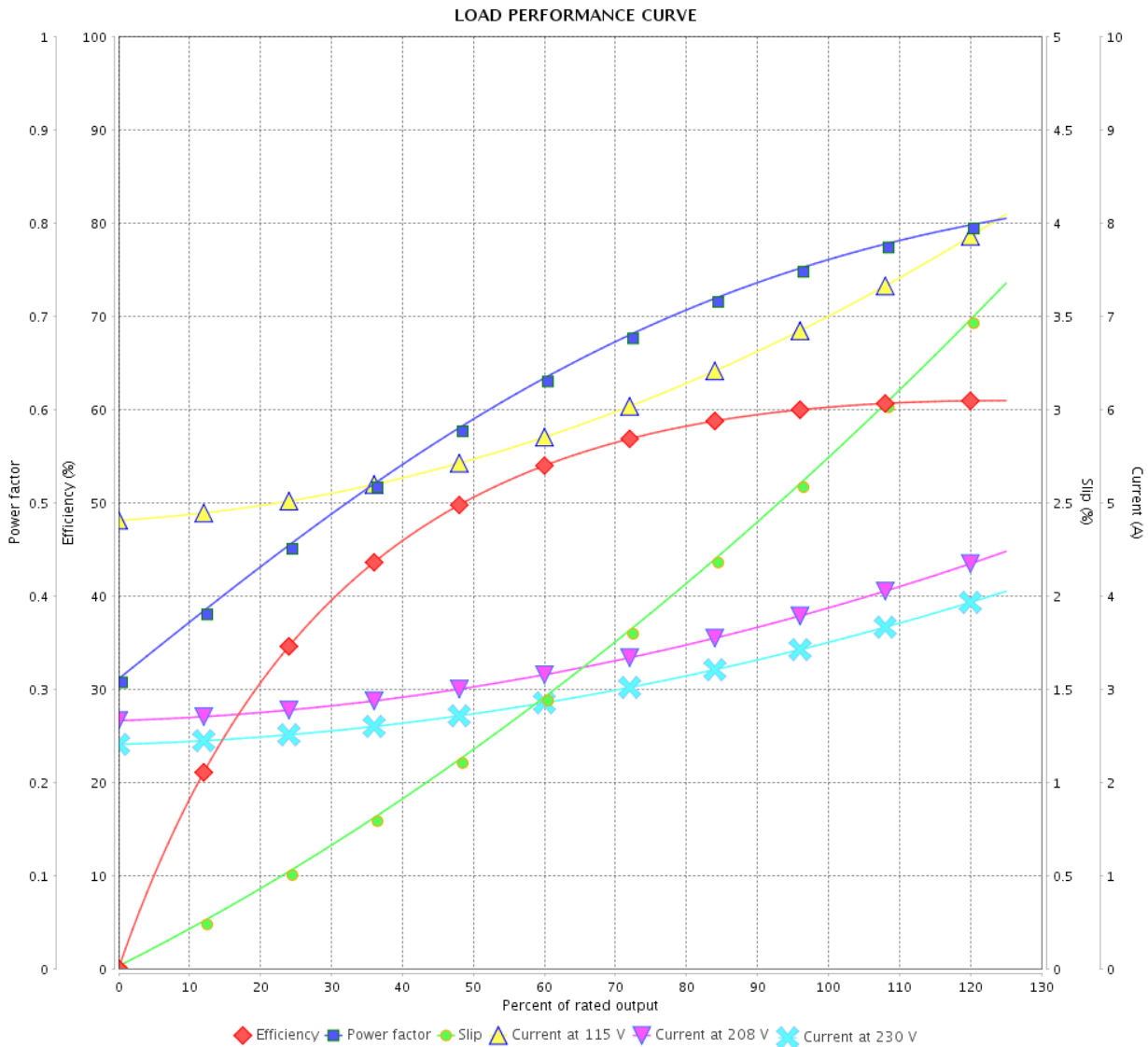
# LOAD PERFORMANCE CURVE

Single Phase Induction Motor - Squirrel Cage



Customer :

Product line : Jet Pump - C type Single-Phase Product code : 13910336



Performance : 115/208-230 V 60 Hz 2P

Rated current : 7.00/3.87-3.50 A  
 LRC : 8.0  
 Rated torque : 0.104 kgfm  
 Locked rotor torque : 290 %  
 Breakdown torque : 300 %  
 Rated speed : 3500 rpm

Moment of inertia (J) : 0.0010 kgm<sup>2</sup>  
 Duty cycle : Cont.(S1)  
 Insulation class : F  
 Service factor :  
 Temperature rise : 80 K  
 Design : N

Rev.	Changes Summary	Performed	Checked	Date
Performed by			Page 2 / 2	Revision
Checked by				
Date	11/05/2022			

1 2 3 4 5 6

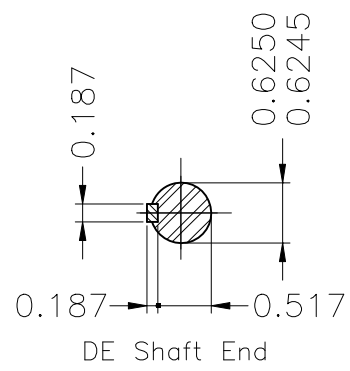
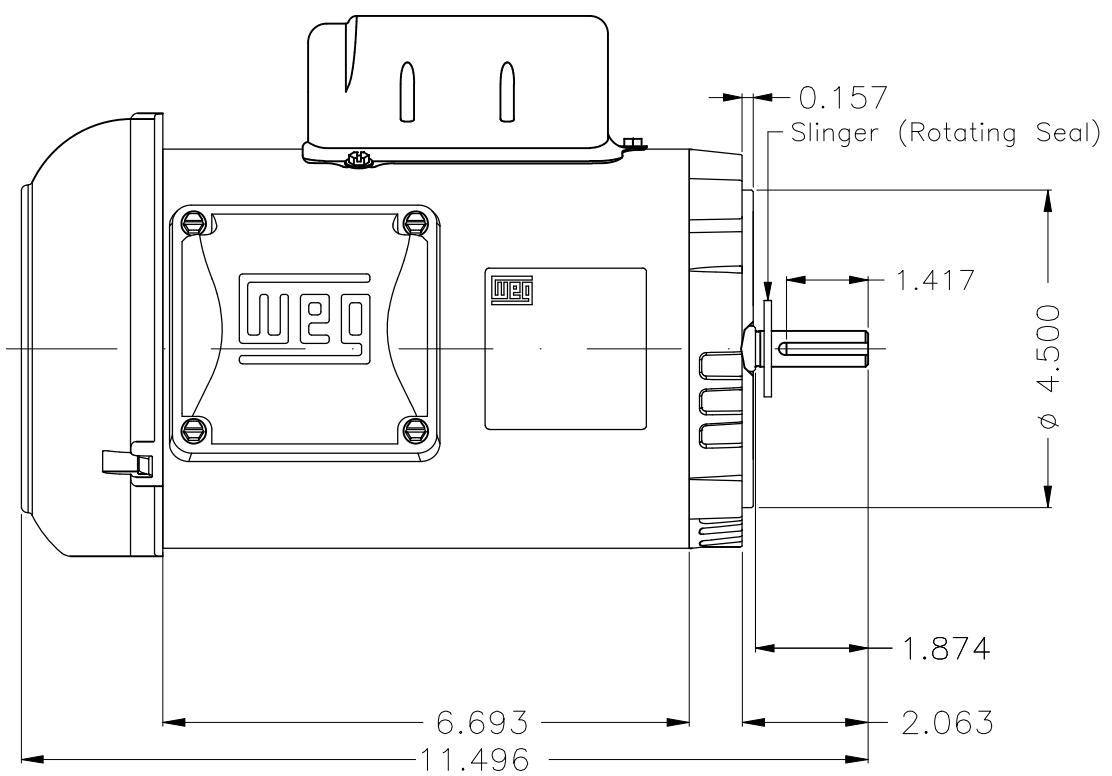
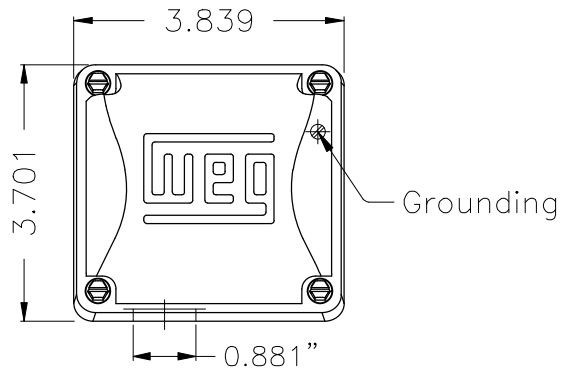
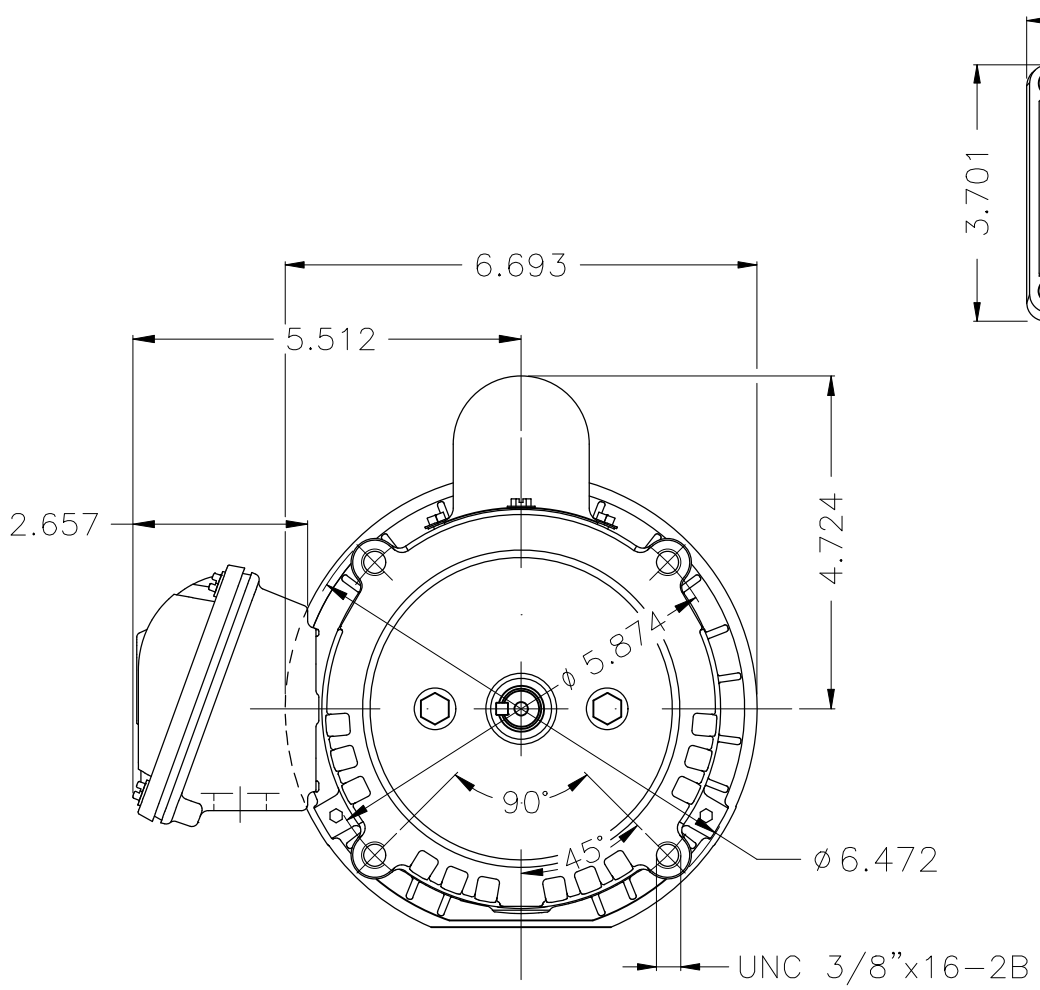
A

B

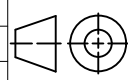
C

D

E



Color Munsell N 1 matte black  
 Painting plan 207N  
 Mounting F-1/B14R(D)

ECM	LOC	SUMMARY OF MODIFICATIONS	EXECUTED	CHECKED	RELEASED	DATE	VER
EXECUTED	HYBRISUSER	 SINGLE PH. MOTOR ROLLED STEEL JET PUMP KEYED FRAME W56C IP55 TEFC					
CHECKED							
RELEASED							
REL. DATE	WMO	Jaragua do Sul	Product Engineering	HYBRISUSER			00

0.5 HP 02 Poles 60 Hz

**A** PREVIEW WDD 00 SHEET 1 / 1

