

DATA SHEET

Single Phase Induction Motor - Squirrel Cage



Customer	:			
Product line	: Jet Pump - J type Single-Phase	Product code : 13710803		
Frame	: 56J	Cooling method : IC411 - TEFC		
Insulation class	: F	Mounting : F-1		
Duty cycle	: Cont.(S1)	Rotation ¹ : CCW		
Ambient temperature	: -20°C to +40°C	Starting method : Direct On Line		
Altitude	: 1000 m.a.s.l.	Approx. weight ³ : 13.0 kg		
Protection degree	: IP55	Moment of inertia (J) : 0.0020 kgm ²		
Design	: N			
Output [HP]		1		
Poles		2		
Frequency [Hz]		60		
Rated voltage [V]		115/208-230		
Rated current [A]		10.1/5.64-5.06		
L. R. Amperes [A]		85.0/47.4-42.5		
LRC [A]		8.4x(Code L)		
No load current [A]		5.50/2.37-2.75		
Rated speed [RPM]		3500		
Slip [%]		2.78		
Rated torque [kgfm]		0.207		
Locked rotor torque [%]		280		
Breakdown torque [%]		280		
Service factor				
Temperature rise		80 K		
Locked rotor time		14s (cold) 8s (hot)		
Noise level ²		68.0 dB(A)		
Efficiency (%)	25%	51.0		
	50%	55.0		
	75%	64.0		
	100%	70.0		
Power Factor	25%	0.51		
	50%	0.82		
	75%	0.88		
	100%	0.92		
Bearing type	: Drive end 6203 2RS Non drive end 6202 2RS	Foundation loads		
Sealing	: V'Ring Without Bearing Seal	Max. traction : 12 kgf		
Lubrication interval	: - -	Max. compression : 25 kgf		
Lubricant amount	: - -			
Lubricant type	: Mobil Polyrex EM			
Notes				
<p>This revision replaces and cancel the previous one, which must be eliminated.</p> <p>(1) Looking the motor from the shaft end.</p> <p>(2) Measured at 1m and with tolerance of +3dB(A).</p> <p>(3) Approximate weight subject to changes after manufacturing process.</p> <p>(4) At 100% of full load.</p>		<p>These are average values based on tests with sinusoidal power supply, subject to the tolerances stipulated in NEMA MG-1.</p>		
Rev.	Changes Summary	Performed	Checked	Date
Performed by				
Checked by			Page	Revision
Date	11/05/2022		1 / 2	

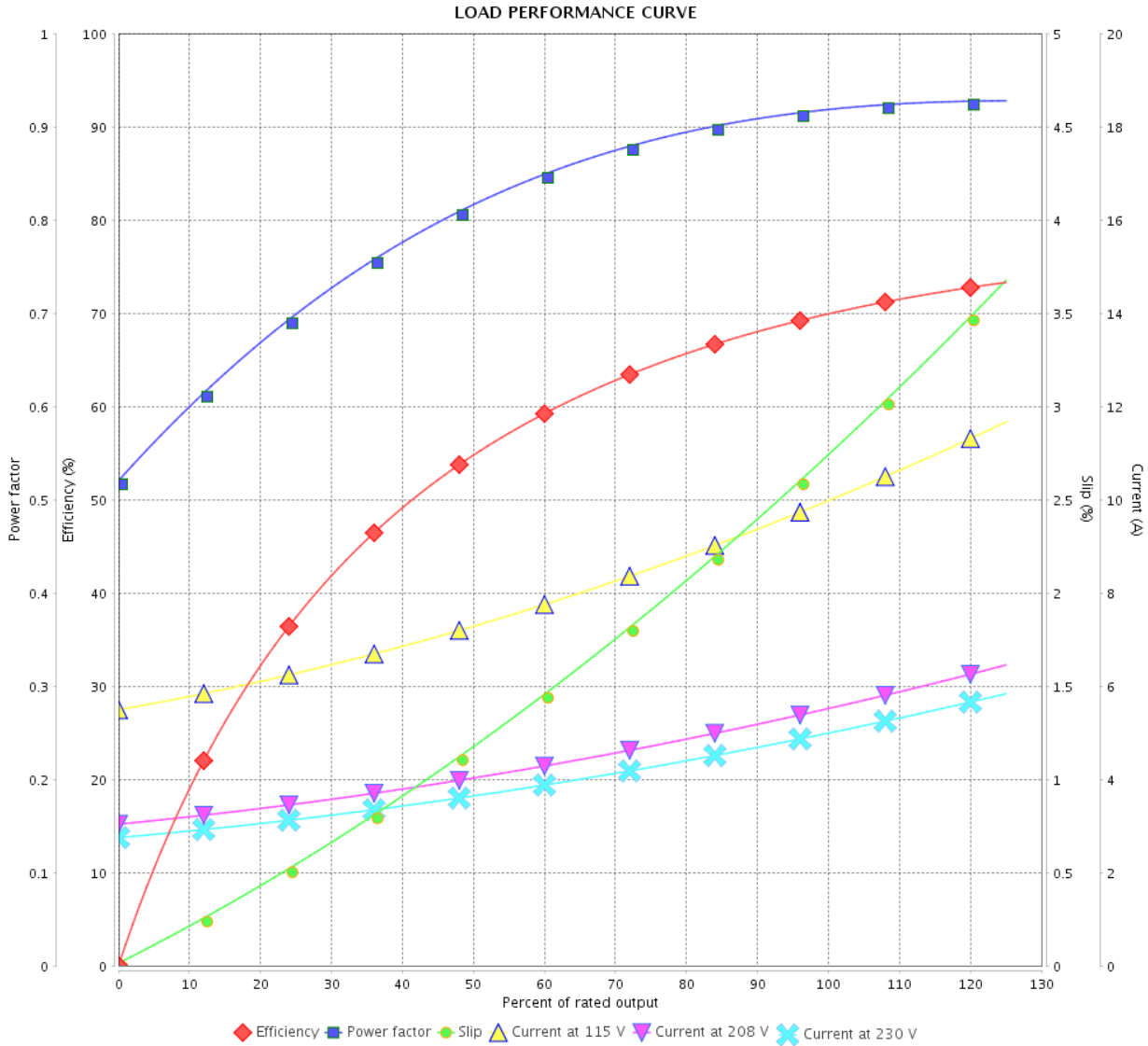
LOAD PERFORMANCE CURVE

Single Phase Induction Motor - Squirrel Cage



Customer :

Product line : Jet Pump - J type Single-Phase Product code : 13710803



Performance : 115/208-230 V 60 Hz 2P

Rated current	: 10.1/5.64-5.06 A	Moment of inertia (J)	: 0.0020 kgm ²
LRC	: 8.4	Duty cycle	: Cont.(S1)
Rated torque	: 0.207 kgfm	Insulation class	: F
Locked rotor torque	: 280 %	Service factor	:
Breakdown torque	: 280 %	Temperature rise	: 80 K
Rated speed	: 3500 rpm	Design	: N

Rev.	Changes Summary	Performed	Checked	Date
Performed by			Page 2 / 2	Revision
Checked by				
Date	11/05/2022			

1 2 3 4 5 6

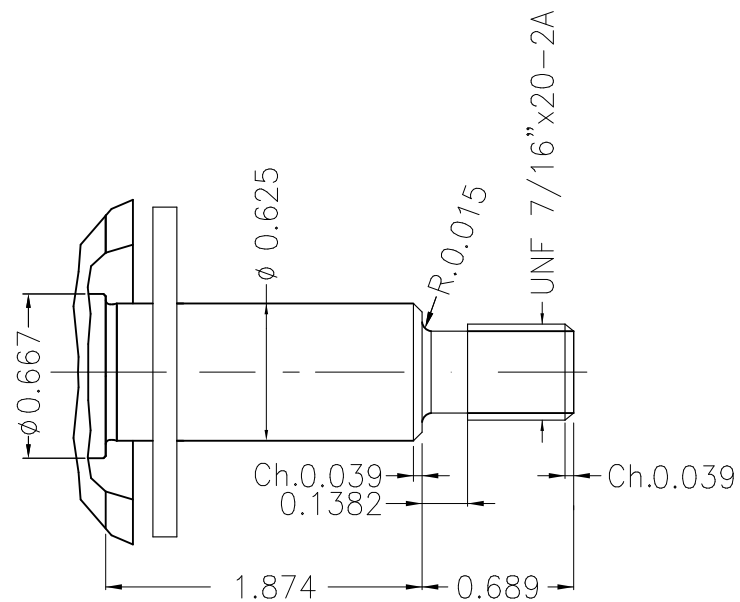
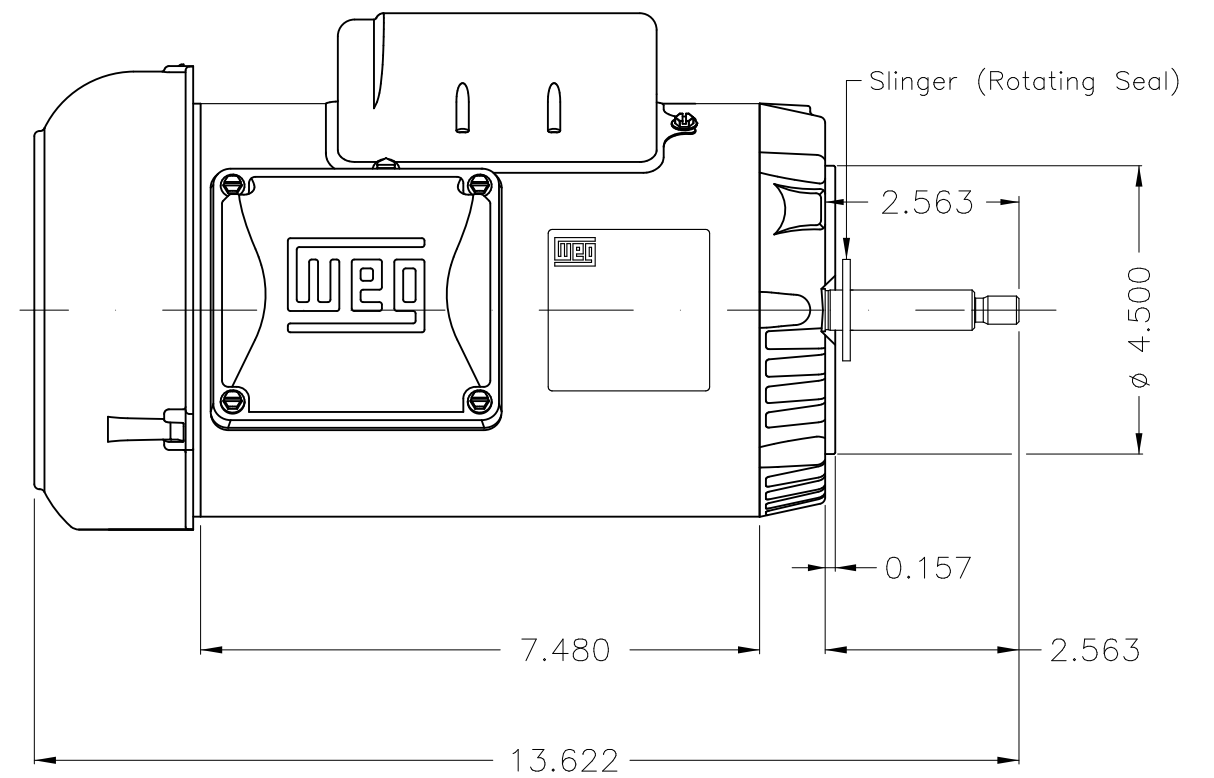
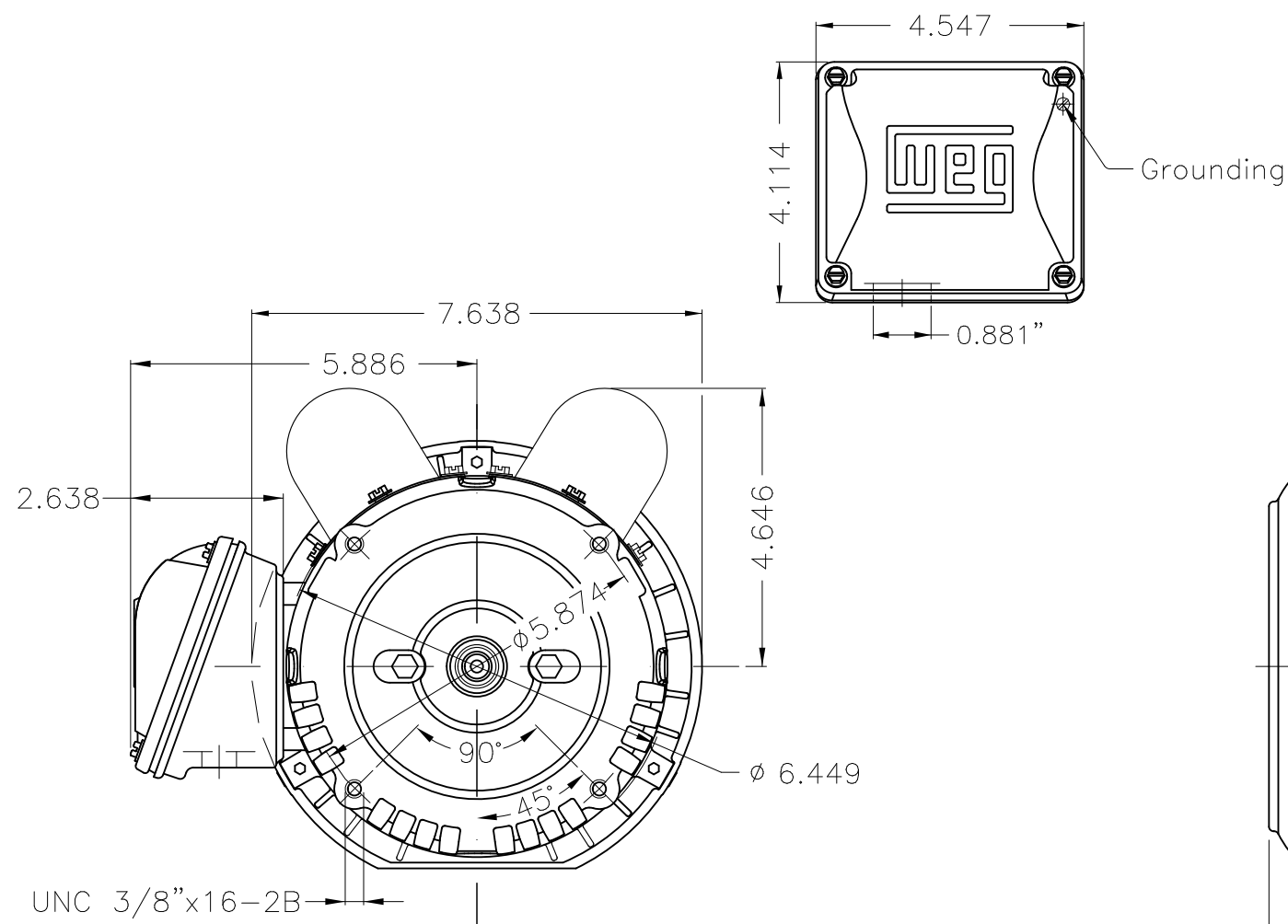
A

B

C

D

E



Color Munsell N 1 matte black
 Painting plan 207N
 Mounting F-1/B14R(D)

								HYBRISUSER						00		
ECM	LOC	SUMMARY OF MODIFICATIONS				EXECUTED	CHECKED	RELEASED	DATE	VER						
EXECUTED	HYBRISUSER	SINGLE PH. MOTOR ROLLED STEEL JET PUMP THREADED														
CHECKED		FRAME 56J IP55 TEFC														
RELEASED																
REL. DATE		WMO Jaragua do Sul				Product Engineering		SHEET		1 / 1						

1 HP 02 Poles 60 Hz

A WMO Jaragua do Sul Product Engineering SHEET 1 / 1

WEG's property. Forbidden reproduction without previous authorization.



Dimensions in inches XME A3