

# DATA SHEET

## Single Phase Induction Motor - Squirrel Cage



Customer :	
Product line	: Jet Pump - J type Single-Phase
Product code :	13905943
Frame	: 56J
Insulation class	: F
Duty cycle	: Cont.(S1)
Ambient temperature	: -20°C to +40°C
Altitude	: 1000 m.a.s.l.
Protection degree	: IP55
Design	: N
Cooling method	: IC411 - TEFC
Mounting	: F-1
Rotation <sup>1</sup>	: CCW
Starting method	: Direct On Line
Approx. weight <sup>3</sup>	: 11.6 kg
Moment of inertia (J)	: 0.0017 kgm <sup>2</sup>
Output [HP]	0.75
Poles	2
Frequency [Hz]	60
Rated voltage [V]	115/208-230
Rated current [A]	8.00/4.42-4.00
L. R. Amperes [A]	64.0/35.4-32.0
LRC [A]	8.0x(Code L)
No load current [A]	4.00/1.72-2.00
Rated speed [RPM]	3500
Slip [%]	2.78
Rated torque [kgfm]	0.156
Locked rotor torque [%]	280
Breakdown torque [%]	290
Service factor	
Temperature rise	80 K
Locked rotor time	18s (cold) 10s (hot)
Noise level <sup>2</sup>	68.0 dB(A)
Efficiency (%)	25%
	50%
	75%
	100%
Power Factor	25%
	50%
	75%
	100%
Bearing type	: <u>Drive end</u> 6203 2RS <u>Non drive end</u> 6202 2RS
Sealing	: V'Ring V'Ring
Lubrication interval	: - -
Lubricant amount	: - -
Lubricant type	: Mobil Polyrex EM
Foundation loads	
Max. traction	: 8 kgf
Max. compression	: 20 kgf
Notes	
This revision replaces and cancel the previous one, which must be eliminated. (1) Looking the motor from the shaft end. (2) Measured at 1m and with tolerance of +3dB(A). (3) Approximate weight subject to changes after manufacturing process. (4) At 100% of full load.	
These are average values based on tests with sinusoidal power supply, subject to the tolerances stipulated in NEMA MG-1.	
Rev.	Changes Summary
Performed by	Performed
Checked by	Checked
Date	11/05/2022
Page	1 / 2
Revision	

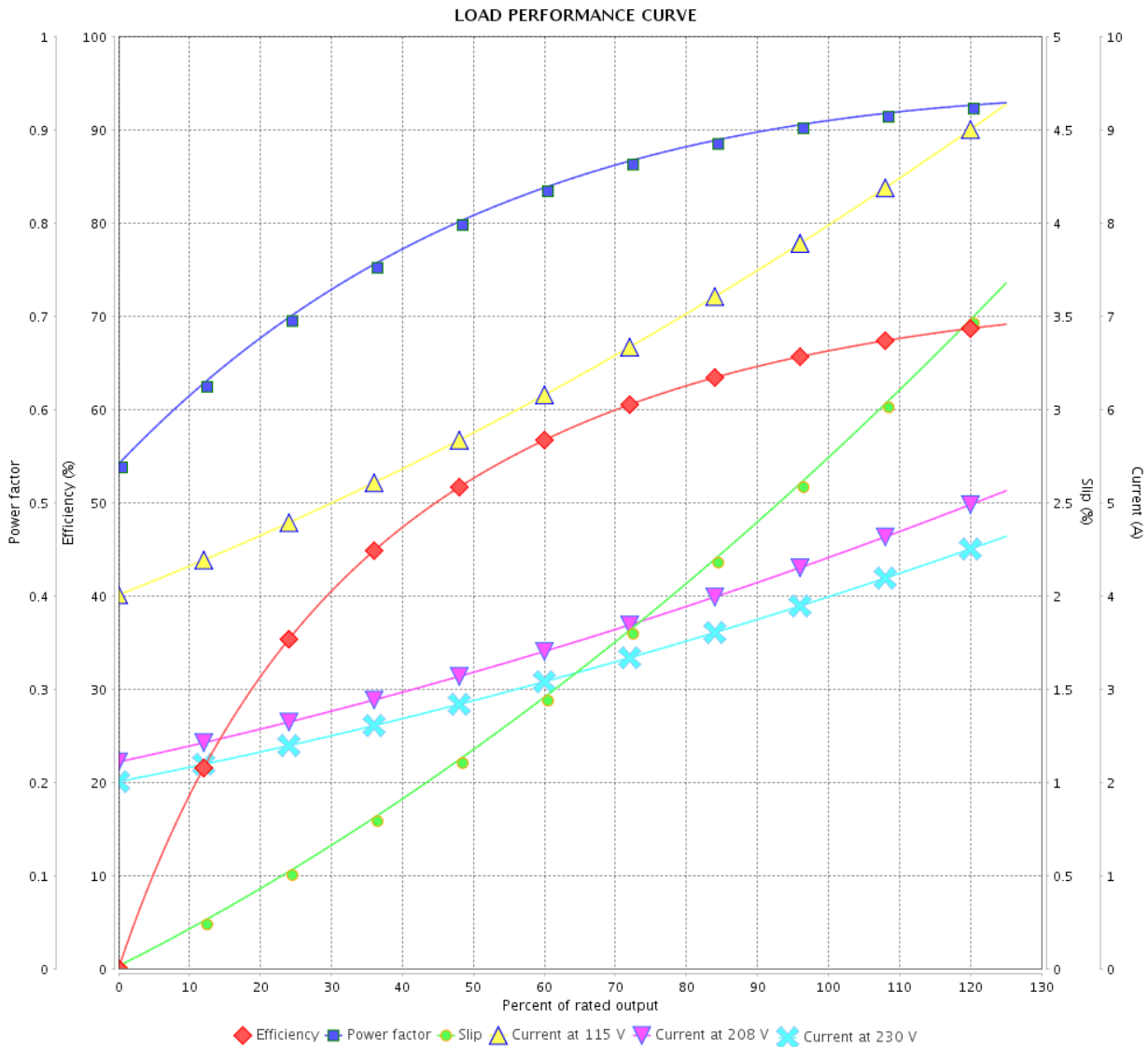
# LOAD PERFORMANCE CURVE

Single Phase Induction Motor - Squirrel Cage



Customer :

Product line : Jet Pump - J type Single-Phase Product code : 13905943



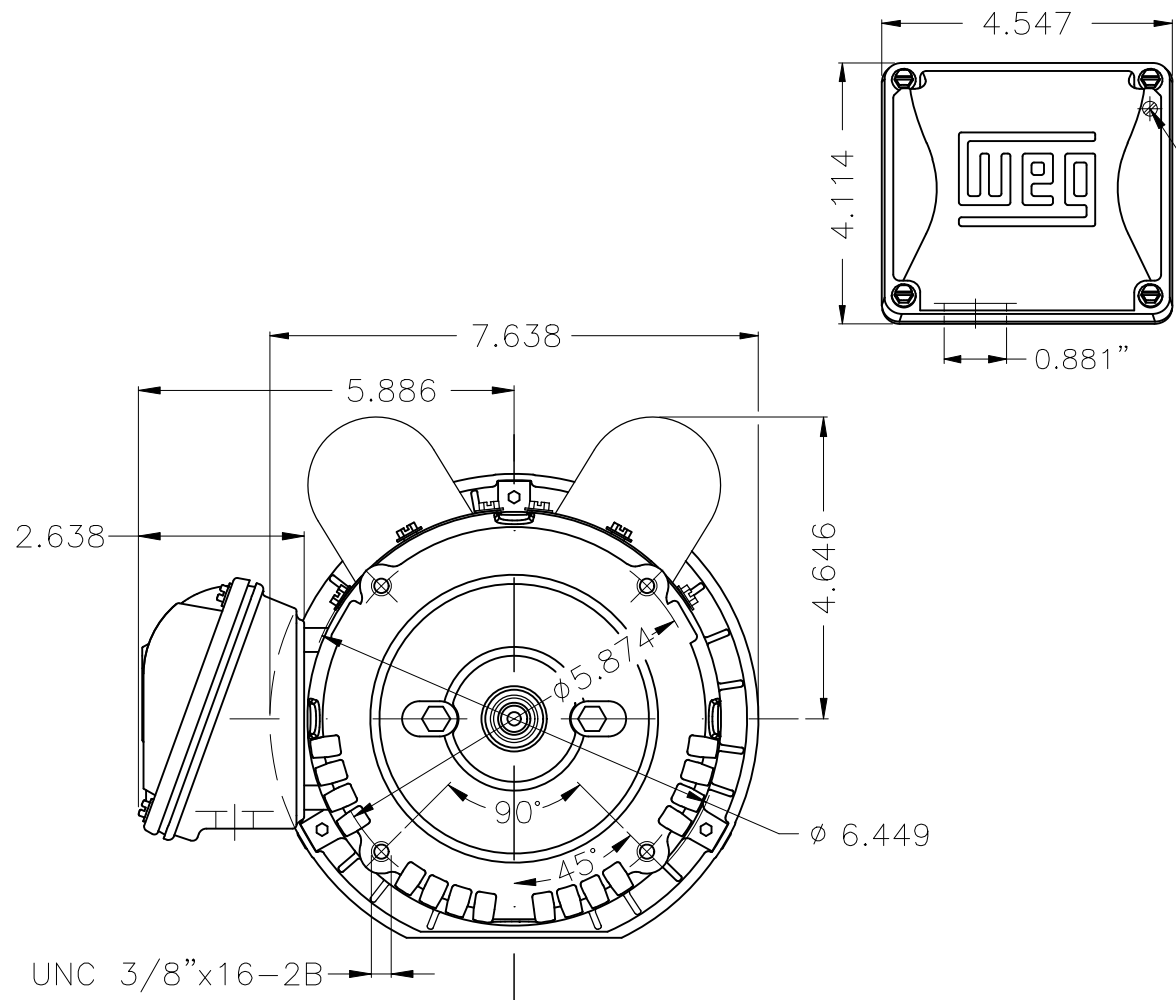
Performance : 115/208-230 V 60 Hz 2P

Rated current : 8.00/4.42-4.00 A  
 LRC : 8.0  
 Rated torque : 0.156 kgfm  
 Locked rotor torque : 280 %  
 Breakdown torque : 290 %  
 Rated speed : 3500 rpm

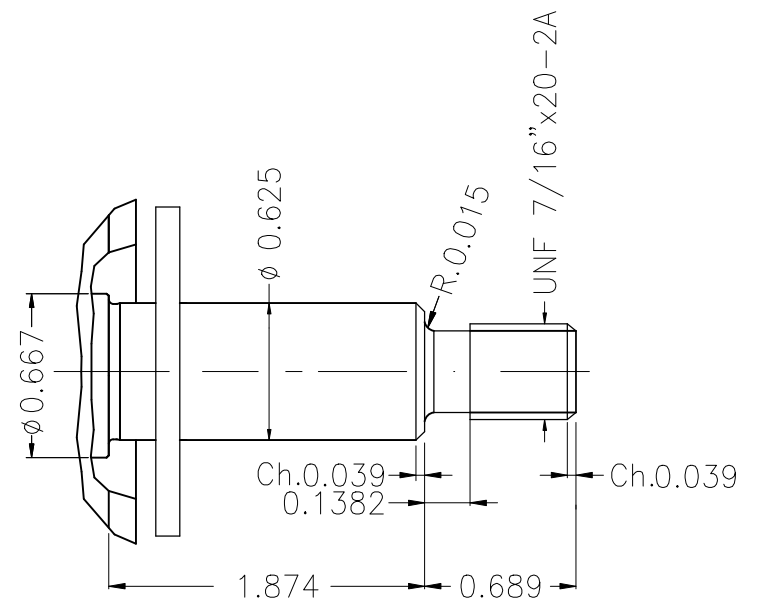
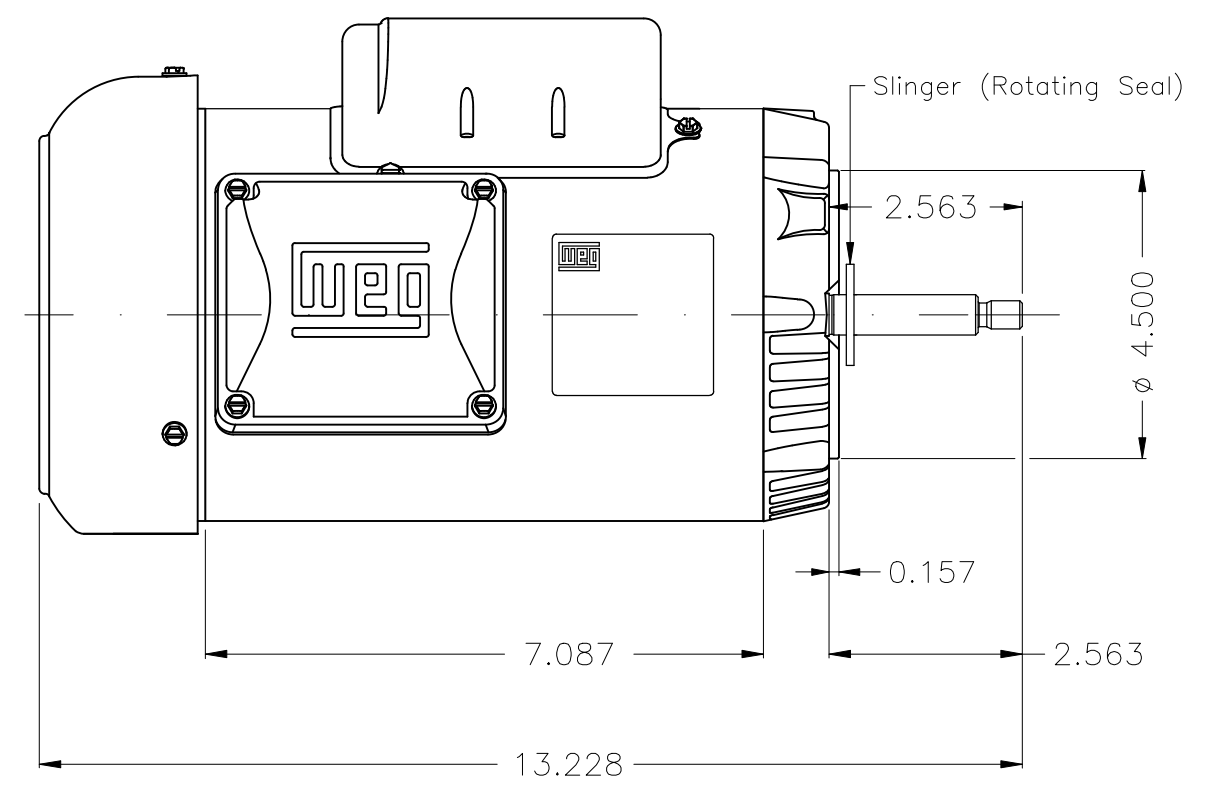
Moment of inertia (J) : 0.0017 kgm<sup>2</sup>  
 Duty cycle : Cont.(S1)  
 Insulation class : F  
 Service factor :  
 Temperature rise : 80 K  
 Design : N

Rev.	Changes Summary	Performed	Checked	Date
Performed by			Page	Revision
Checked by				
Date				

A  
B  
C  
D  
E



Grounding



Fan cover - steel plate  
 Color Munsell N 1 matte black  
 Painting plan 207N  
 Mounting F-1/B14R(D)

ECM	LOC	SUMMARY OF MODIFICATIONS	EXECUTED	CHECKED	RELEASED	DATE	VER
EXECUTED	HYBRISUSER	SINGLE PH. MOTOR ROLLED STEEL JET PUMP THREADED FRAME 56J IP55 TEFC					
CHECKED							
RELEASED							
REL. DATE	WMO	Jaragua do Sul	Product Engineering	HYBRISUSER			00

0.75 HP 02 Poles 60 Hz

