

# DATA SHEET



## Three Phase Induction Motor - Squirrel Cage

Customer :

Product line : Explosion Proof Standard Efficiency Three-Phase Product code : 11140741

Frame	: D56EX	Locked rotor time	: 27s (cold) 15s (hot)
Output	: 1 HP (0.75 kW)	Temperature rise	: 80 K
Poles	: 4	Duty cycle	: Cont.(S1)
Frequency	: 60 Hz	Ambient temperature	: -20°C to +40°C
Rated voltage	: 230/460 V	Altitude	: 1000 m.a.s.l.
Rated current	: 3.00/1.50 A	Protection degree	: IP44
L. R. Amperes	: 19.5/9.75 A	Cooling method	: IC411 - TEFC
LRC	: 6.5x(Code J)	Mounting	: F-1
No load current	: 1.80/0.900 A	Rotation <sup>1</sup>	: Both (CW and CCW)
Rated speed	: 1740 rpm	Noise level <sup>2</sup>	: 55.0 dB(A)
Slip	: 3.33 %	Starting method	: Direct On Line
Rated torque	: 0.417 kgfm	Approx. weight <sup>3</sup>	: 20.2 kg
Locked rotor torque	: 280 %		
Breakdown torque	: 320 %		
Insulation class	: B		
Service factor	: 1.15		
Moment of inertia (J)	: 0.0060 kgm <sup>2</sup>		
Design	: A		

Output	50%	75%	100%	Foundation loads	
Efficiency (%)	80.0	82.5	84.0	Max. traction	: 33 kgf
Power Factor	0.53	0.66	0.74	Max. compression	: 53 kgf

	Drive end	Non drive end
Bearing type	: 6203 ZZ	: 6203 ZZ
Sealing	: Without Bearing Seal	: Without Bearing Seal
Lubrication interval	: -	: -
Lubricant amount	: -	: -
Lubricant type	: Mobil Polyrex EM	

Notes  
USABLE @208V 3.12A SF 1.00 SFA 3.12A

This revision replaces and cancel the previous one, which must be eliminated.

- (1) Looking the motor from the shaft end.
- (2) Measured at 1m and with tolerance of +3dB(A).
- (3) Approximate weight subject to changes after manufacturing process.
- (4) At 100% of full load.

These are average values based on tests with sinusoidal power supply, subject to the tolerances stipulated in NEMA MG-1.

Rev.	Changes Summary	Performed	Checked	Date
Performed by				
Checked by			Page	Revision
Date	26/10/2024		1 / 3	

# DATA SHEET

## Three Phase Induction Motor - Squirrel Cage



Customer : \_\_\_\_\_

### Thermal protection

ID	Application	Type	Quantity	Sensing Temperature
1	Winding	Thermostat - 2 wires	1 x Phase	130 °C

Rev.	Changes Summary	Performed	Checked	Date
Performed by				
Checked by			Page	Revision
Date	26/10/2024		2 / 3	

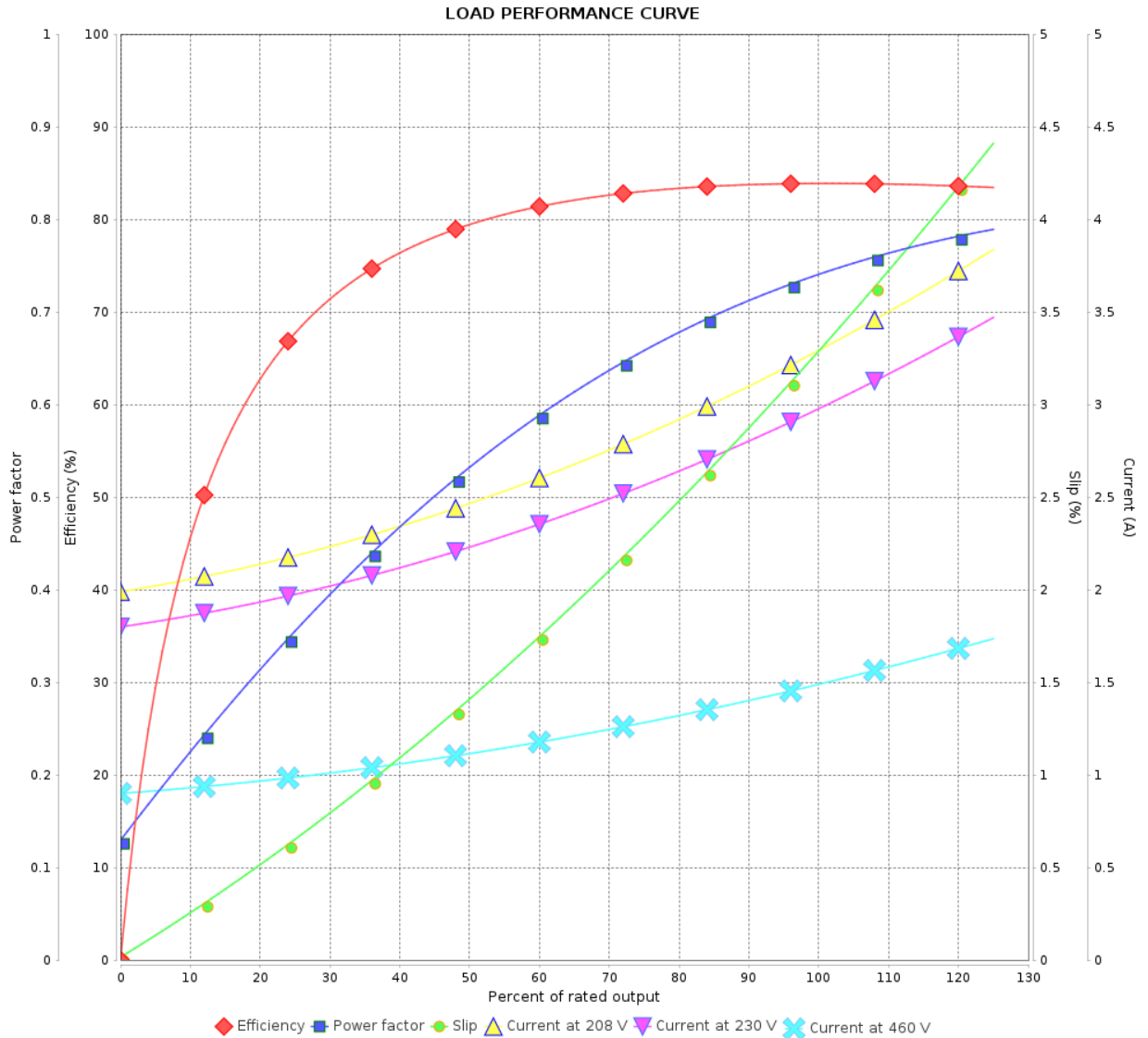
# LOAD PERFORMANCE CURVE

## Three Phase Induction Motor - Squirrel Cage



Customer :

Product line : Explosion Proof Standard Efficiency Three-Phase Product code : 11140741

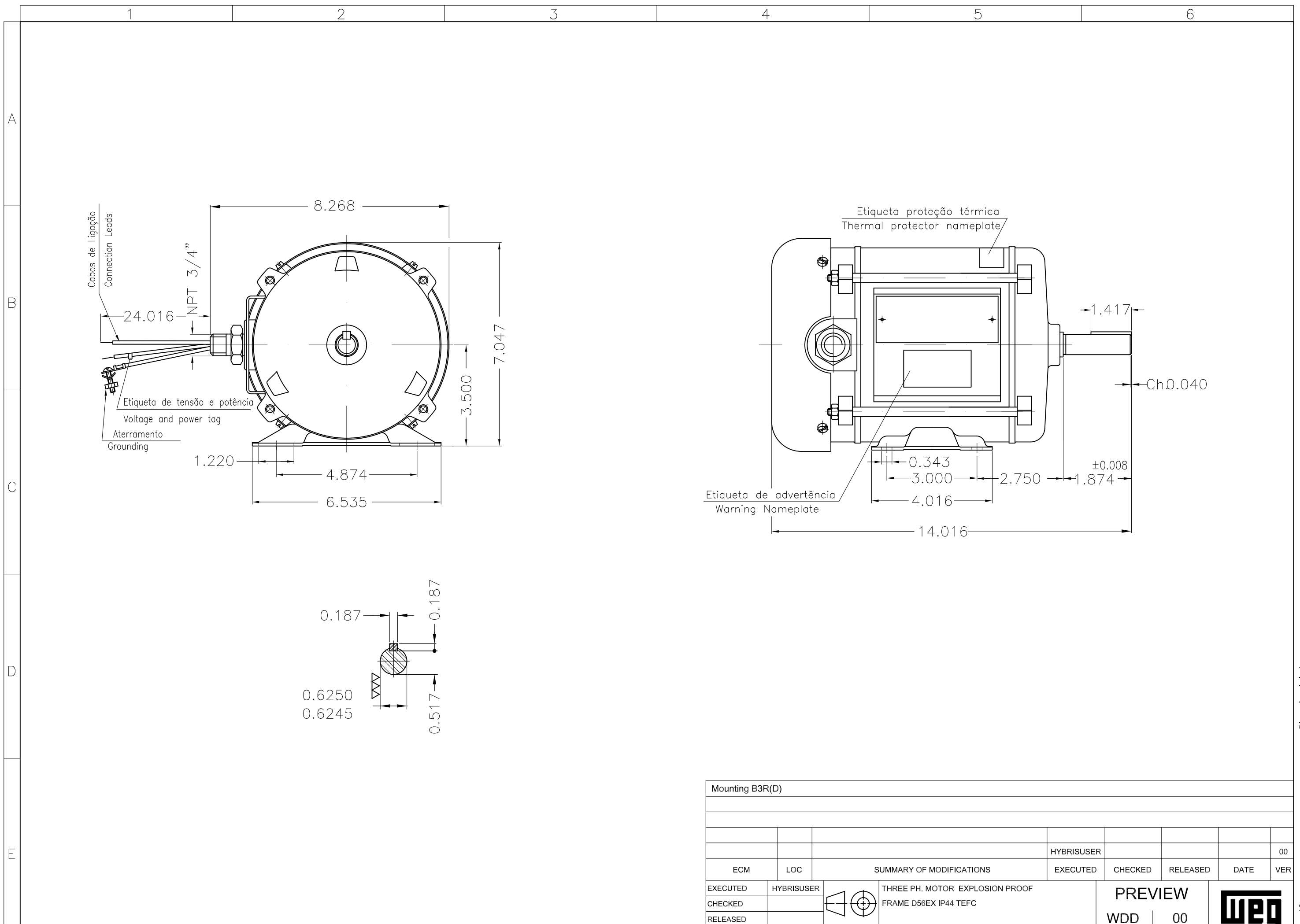


Performance : 230/460 V 60 Hz 4P

Rated current : 3.00/1.50 A  
 LRC : 6.5  
 Rated torque : 0.417 kgfm  
 Locked rotor torque : 280 %  
 Breakdown torque : 320 %  
 Rated speed : 1740 rpm

Moment of inertia (J) : 0.0060 kgm<sup>2</sup>  
 Duty cycle : Cont.(S1)  
 Insulation class : B  
 Service factor :  
 Temperature rise : 80 K  
 Design : A

Rev.	Changes Summary	Performed	Checked	Date
Performed by			Page	Revision
Checked by				
Date				



Dimensions in inches

Mounting B3R(D)										
ECM	LOC	SUMMARY OF MODIFICATIONS				EXECUTED	CHECKED	RELEASED	DATE	VER
EXECUTED	HYBRISUSER	THREE PH. MOTOR EXPLOSION PROOF FRAME D56EX IP44 TEFC								00
CHECKED										
RELEASED										
REL. DATE		WMO	Jaragua do Sul	Product Engineering						

1 HP 04 Poles 60 Hz

XME A3