

DATA SHEET



Single Phase Induction Motor - Squirrel Cage

Customer :

Product line : Explosion Proof Single-Phase Product code : 10963957

Frame	: D56EX	Locked rotor time	: 10s (cold) 6s (hot)
Output	: 1 HP (0.75 kW)	Temperature rise	: 80 K
Poles	: 4	Duty cycle	: Cont.(S1)
Frequency	: 60 Hz	Ambient temperature	: -20°C to +40°C
Rated voltage	: 115/208-230 V	Altitude	: 1000 m.a.s.l.
Rated current	: 11.4/6.00-5.70 A	Protection degree	: IP44
L. R. Amperes	: 61.6/32.4-30.8 A	Cooling method	: IC411 - TEFC
LRC	: 5.4x(Code H)	Mounting	: F-1
No load current	: 6.50/2.80-3.25 A	Rotation ¹	: Both (CW and CCW)
Rated speed	: 1740 rpm	Noise level ²	: 55.0 dB(A)
Slip	: 3.33 %	Starting method	: Direct On Line
Rated torque	: 0.417 kgfm	Approx. weight ³	: 20.4 kg
Locked rotor torque	: 190 %		
Breakdown torque	: 210 %		
Insulation class	: B		
Service factor	: 1.15		
Moment of inertia (J)	: 0.0060 kgm ²		

Output	50%	75%	100%	Foundation loads	
Efficiency (%)	72.1	74.7	74.9	Max. traction	: 18 kgf
Power Factor	0.56	0.68	0.75	Max. compression	: 38 kgf

		<u>Drive end</u>	<u>Non drive end</u>
Bearing type	:	6203 ZZ	6203 ZZ
Sealing	:	Without Bearing Seal	Without Bearing Seal
Lubrication interval	:	-	-
Lubricant amount	:	-	-
Lubricant type	:	Mobil Polyrex EM	

Notes

This revision replaces and cancel the previous one, which must be eliminated.

- (1) Looking the motor from the shaft end.
- (2) Measured at 1m and with tolerance of +3dB(A).
- (3) Approximate weight subject to changes after manufacturing process.
- (4) At 100% of full load.

These are average values based on tests with sinusoidal power supply, subject to the tolerances stipulated in NEMA MG-1.

Rev.	Changes Summary	Performed	Checked	Date
Performed by				
Checked by			Page	Revision
Date	26/10/2024		1 / 2	

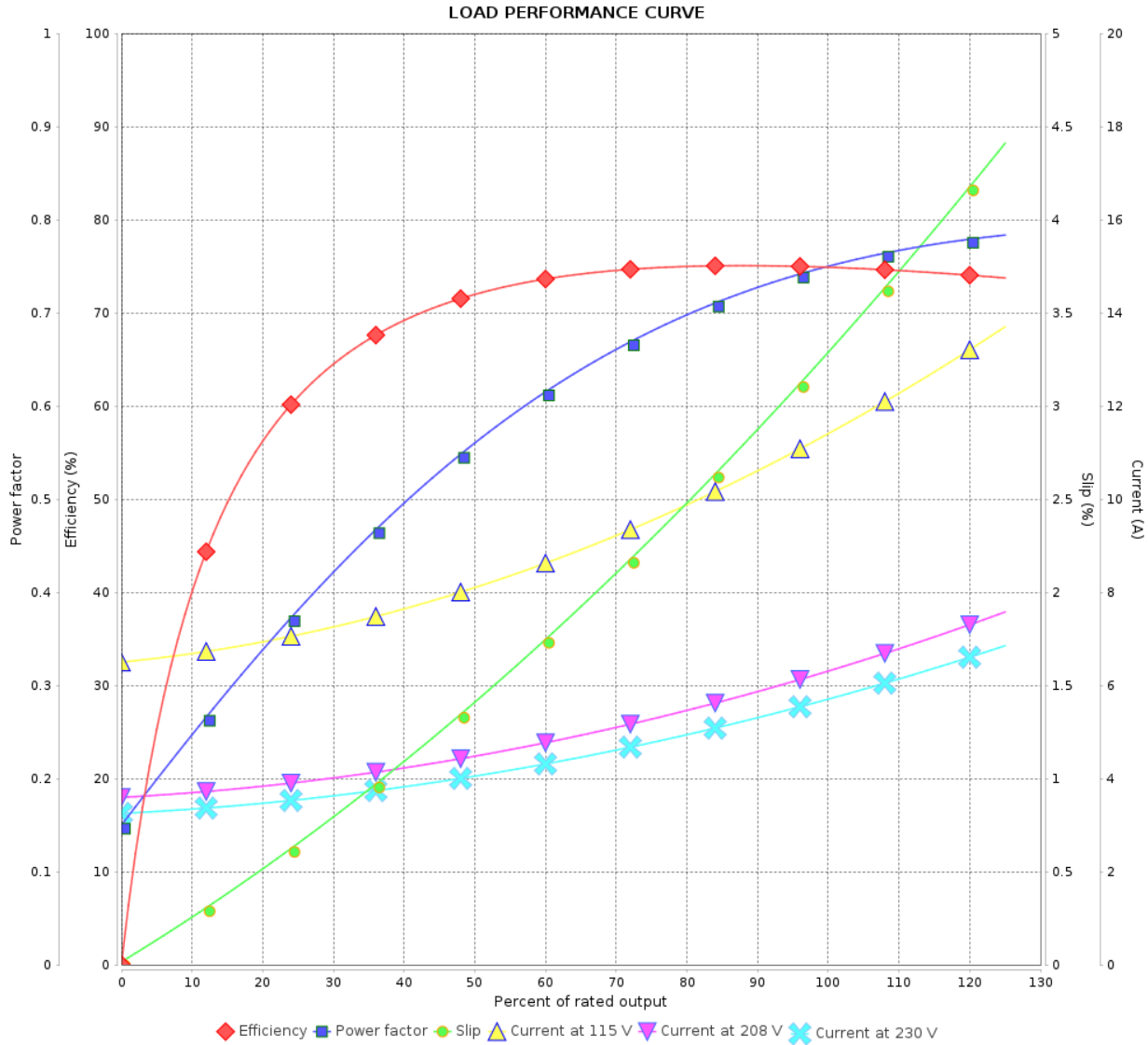
LOAD PERFORMANCE CURVE

Single Phase Induction Motor - Squirrel Cage



Customer :

Product line : Explosion Proof Single-Phase Product code : 10963957

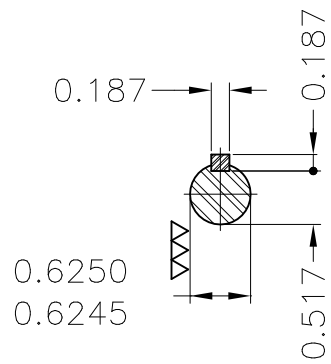
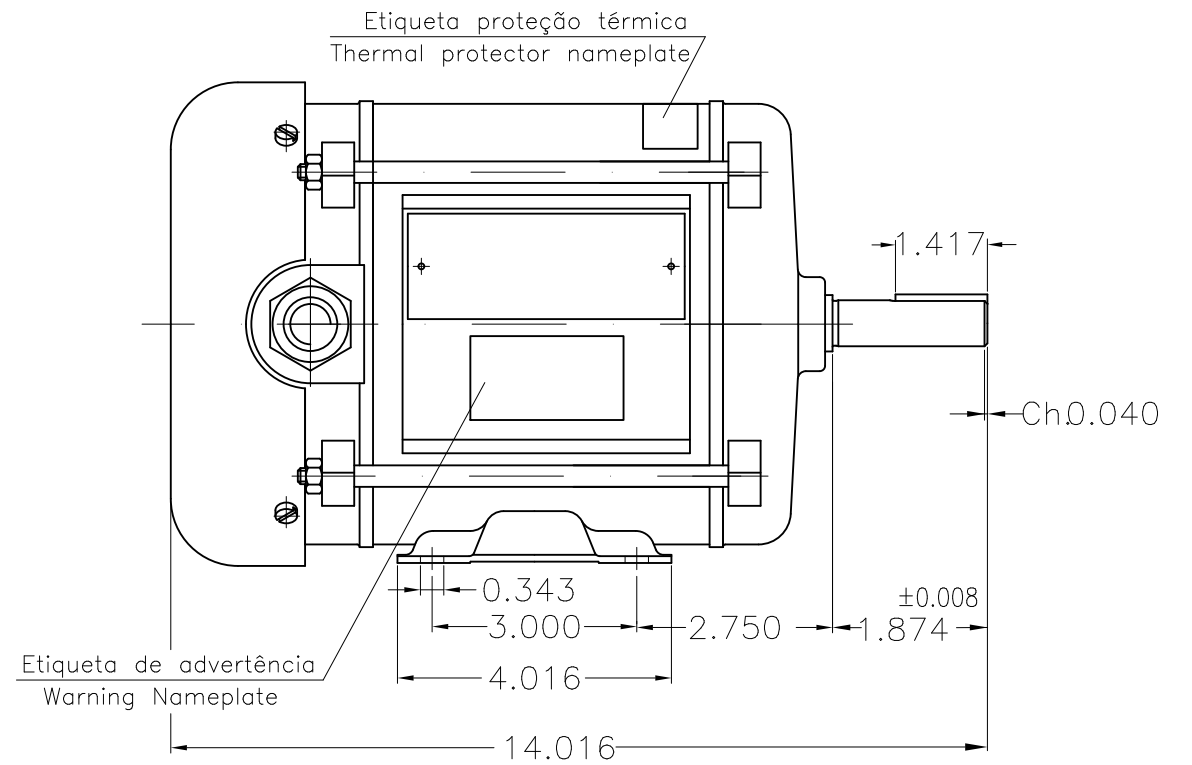
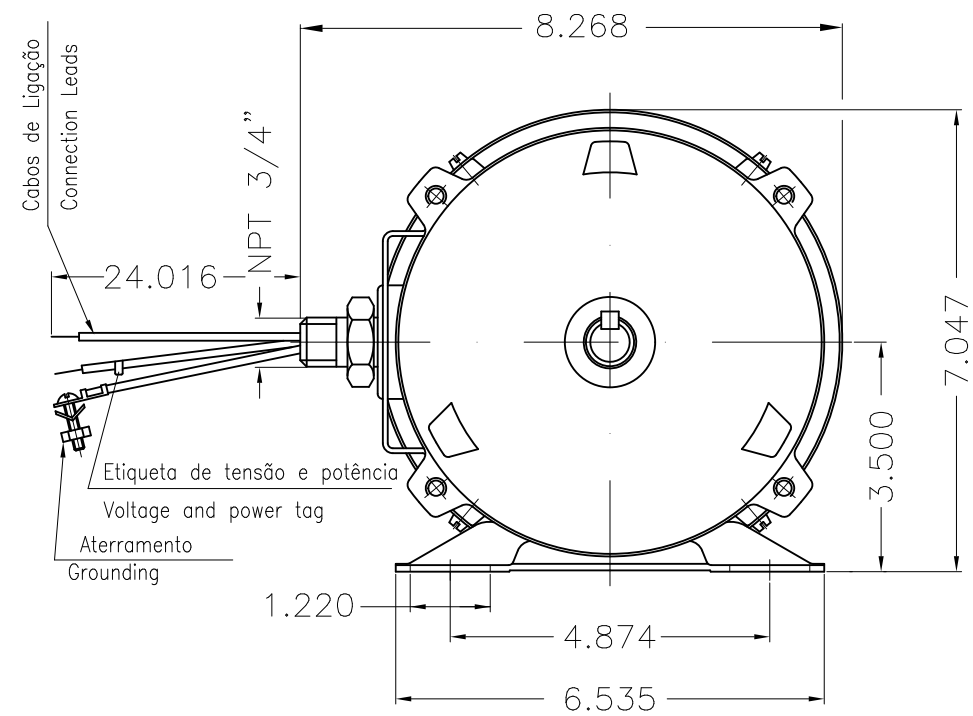


Performance : 115/208-230 V 60 Hz 4P

Rated current : 11.4/6.00-5.70 A
 LRC : 5.4
 Rated torque : 0.417 kgfm
 Locked rotor torque : 190 %
 Breakdown torque : 210 %
 Rated speed : 1740 rpm

Moment of inertia (J) : 0.0060 kgm²
 Duty cycle : Cont.(S1)
 Insulation class : B
 Service factor :
 Temperature rise : 80 K

Rev.	Changes Summary	Performed	Checked	Date
Performed by			Page	Revision
Checked by				
Date				



Mounting B3R(D)							
HYBRISUSER				00			
ECM	LOC	SUMMARY OF MODIFICATIONS	EXECUTED	CHECKED	RELEASED	DATE VER	
EXECUTED	HYBRISUSER	SINGLE PH. MOTOR EXPLOSION PROOF FRAME D56EX IP44 TEFC					
CHECKED			PREVIEW				
RELEASED			WDD 00				
REL. DATE		WMO Jaragua do Sul	Product Engineering	SHEET 1 / 1			

1 HP 04 Poles 60 Hz