

DATA SHEET

Three Phase Induction Motor - Squirrel Cage



Customer : _____

Thermal protection

ID	Application	Type	Quantity	Sensing Temperature
1	Winding	Thermostat - 2 wires	1 x Phase	130 °C

Rev.	Changes Summary	Performed	Checked	Date
Performed by				
Checked by			Page	Revision
Date	26/10/2024		2 / 3	

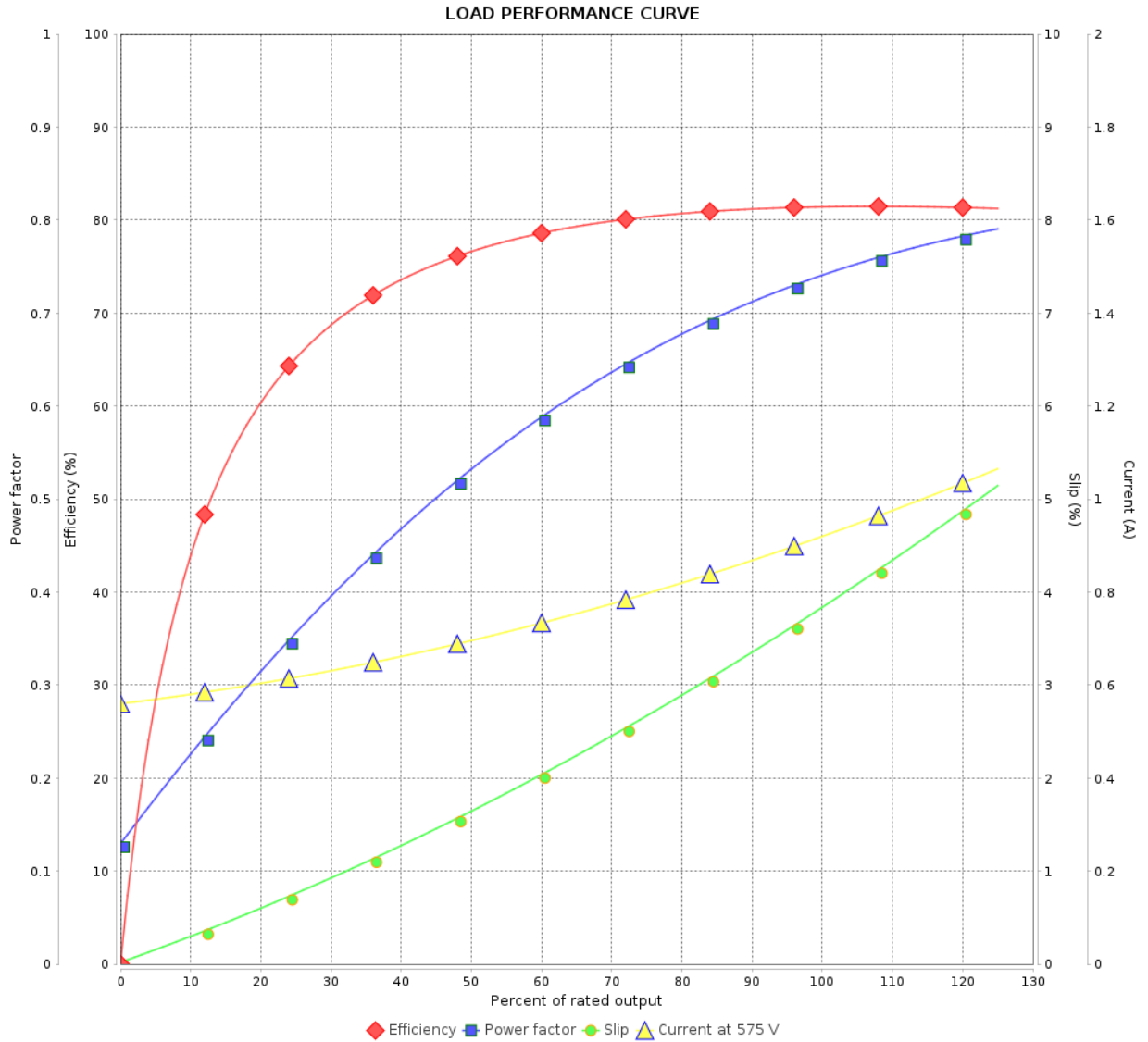
LOAD PERFORMANCE CURVE

Three Phase Induction Motor - Squirrel Cage



Customer : _____

Product line : Explosion Proof Standard Efficiency Three-Phase Product code : 10796358



Performance : 575 V 60 Hz 4P

Rated current : 0.928 A
 LRC : 5.7
 Rated torque : 0.315 kgfm
 Locked rotor torque : 240 %
 Breakdown torque : 280 %
 Rated speed : 1730 rpm

Moment of inertia (J) : 0.0041 kgm²
 Duty cycle : Cont.(S1)
 Insulation class : B
 Service factor : 1.15
 Temperature rise : 80 K

Rev.	Changes Summary	Performed	Checked	Date
Performed by			Page 3 / 3	Revision
Checked by				
Date	26/10/2024			

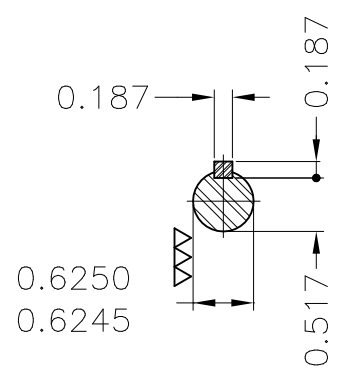
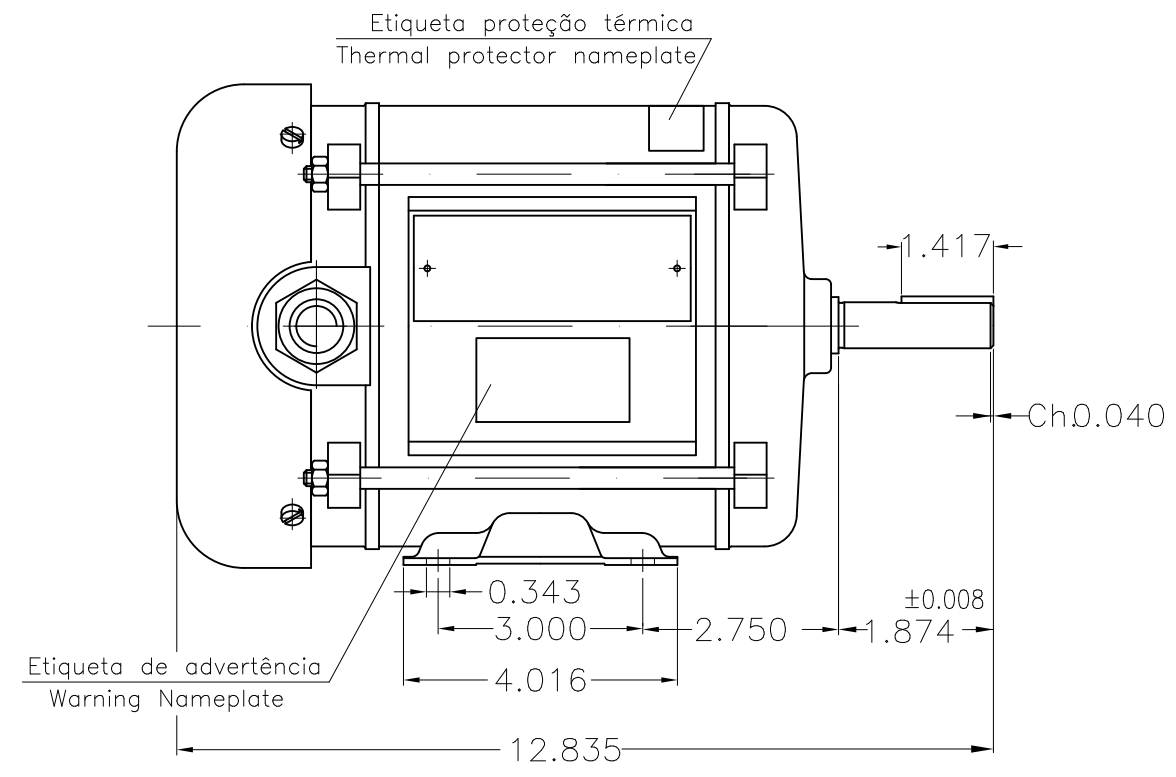
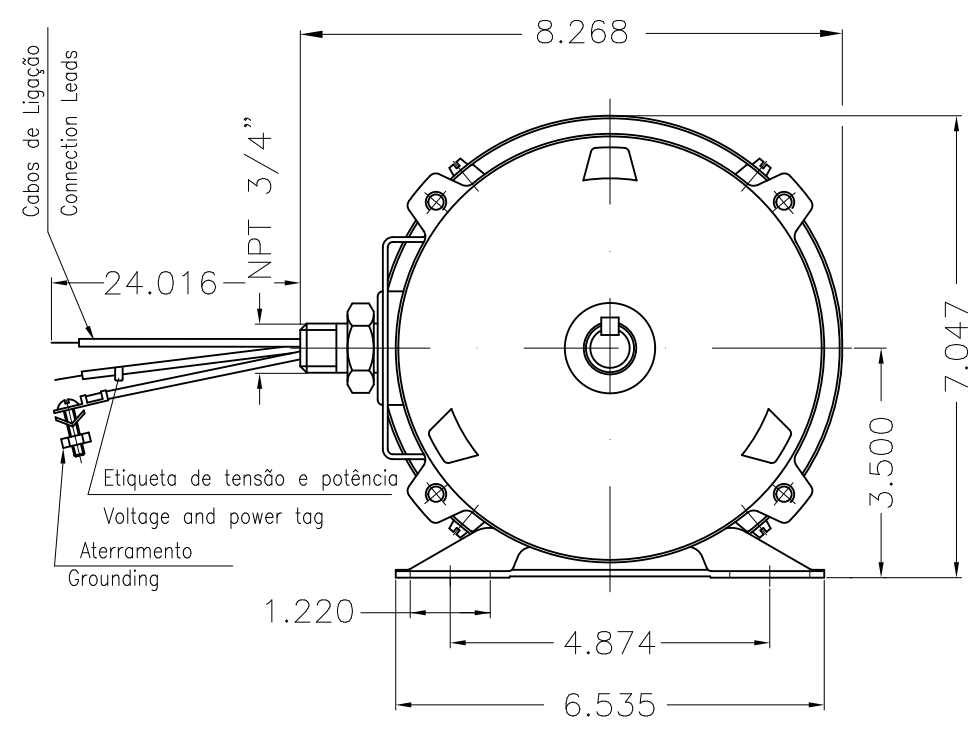
A

B

C

D

E



Mounting B3R(D)						
					HYBRISUSER	00
ECM	LOC	SUMMARY OF MODIFICATIONS		EXECUTED	CHECKED	RELEASED
EXECUTED	HYBRISUSER	THREE PH. MOTOR EXPLOSION PROOF		PREVIEW	WDD	00
CHECKED		FRAME B56EX IP44 TEFC				
RELEASED						
REL. DATE	WMO	Jaragua do Sul	Product Engineering	SHEET	1 / 1	

0.75 HP 04 Poles 60 Hz

A



Dimensions in inches

XME A3