

DATA SHEET



Three Phase Induction Motor - Squirrel Cage

Customer :						
Product line		: Explosion Proof Standard Efficiency Three-Phase		Product code : 10668199		
Frame	: B56EX		Locked rotor time	: 27s (cold) 15s (hot)		
Output	: 0.5 HP (0.37 kW)		Temperature rise	: 80 K		
Poles	: 4		Duty cycle	: Cont.(S1)		
Frequency	: 60 Hz		Ambient temperature	: -20°C to +40°C		
Rated voltage	: 575 V		Altitude	: 1000 m.a.s.l.		
Rated current	: 0.650 A		Protection degree	: IP44		
L. R. Amperes	: 4.42 A		Cooling method	: IC411 - TEFC		
LRC	: 6.8x(Code K)		Mounting	: F-1		
No load current	: 0.500 A		Rotation ¹	: Both (CW and CCW)		
Rated speed	: 1755 rpm		Noise level ²	: 50.0 dB(A)		
Slip	: 2.50 %		Starting method	: Direct On Line		
Rated torque	: 0.207 kgfm		Approx. weight ³	: 14.9 kg		
Locked rotor torque	: 220 %					
Breakdown torque	: 330 %					
Insulation class	: B					
Service factor	: 1.15					
Moment of inertia (J)	: 0.0034 kgm ²					
Output	50%	75%	100%	Foundation loads		
Efficiency (%)	70.0	75.5	77.5	Max. traction : 14 kgf		
Power Factor	0.52	0.64	0.73	Max. compression : 29 kgf		
Bearing type	:	<u>Drive end</u> 6203 ZZ	<u>Non drive end</u> 6203 ZZ			
Sealing	:	Without Bearing Seal	Without Bearing Seal			
Lubrication interval	:	-	-			
Lubricant amount	:	-	-			
Lubricant type	:	Mobil Polyrex EM				
Notes						
This revision replaces and cancel the previous one, which must be eliminated. (1) Looking the motor from the shaft end. (2) Measured at 1m and with tolerance of +3dB(A). (3) Approximate weight subject to changes after manufacturing process. (4) At 100% of full load.			These are average values based on tests with sinusoidal power supply, subject to the tolerances stipulated in NEMA MG-1.			
Rev.	Changes Summary			Performed	Checked	Date
Performed by						
Checked by					Page	Revision
Date	26/10/2024				1 / 3	

DATA SHEET

Three Phase Induction Motor - Squirrel Cage



Customer : _____

Thermal protection

ID	Application	Type	Quantity	Sensing Temperature
1	Winding	Thermostat - 2 wires	1 x Phase	130 °C

Rev.	Changes Summary	Performed	Checked	Date
Performed by				
Checked by			Page	Revision
Date	26/10/2024		2 / 3	

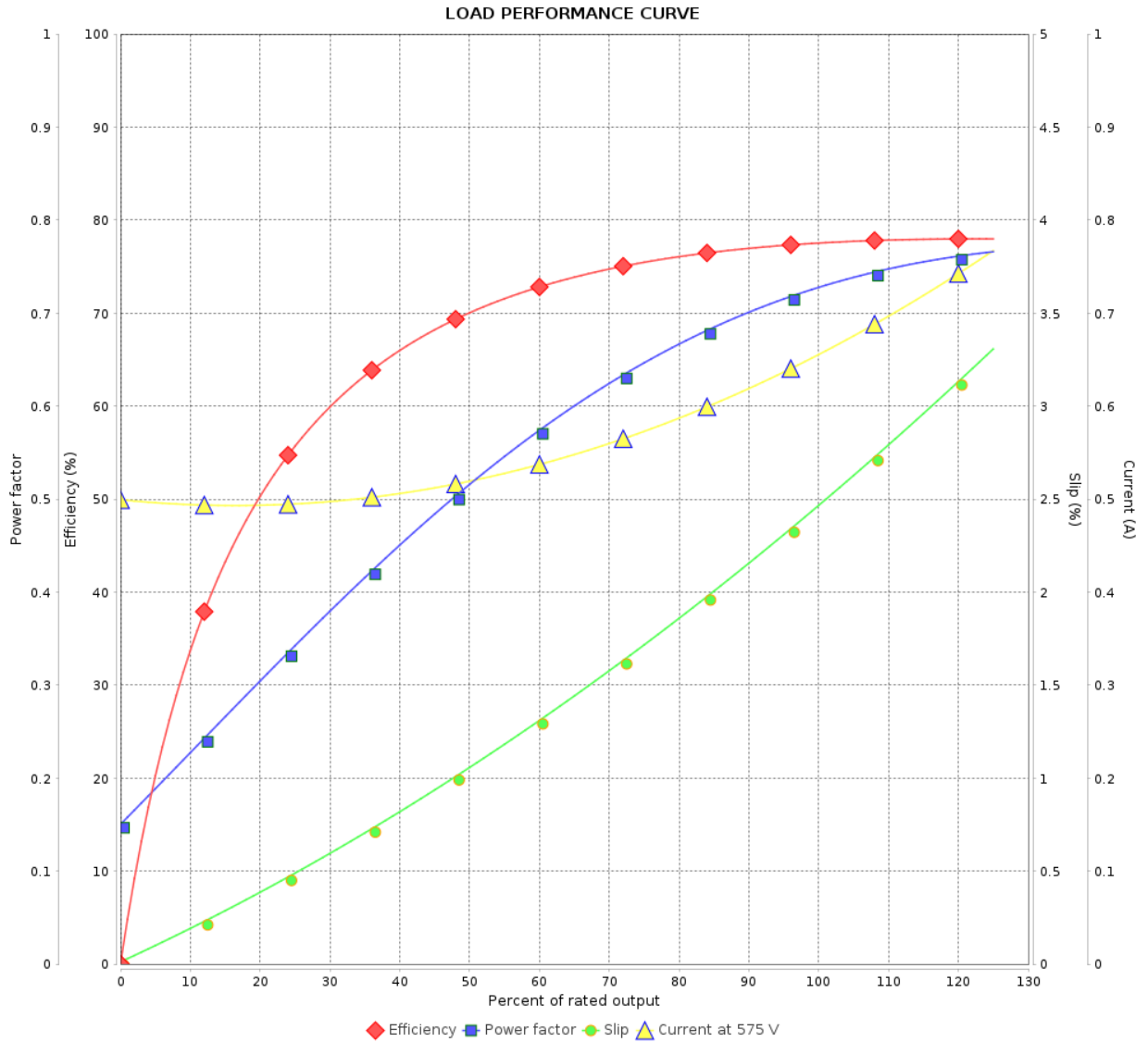
LOAD PERFORMANCE CURVE

Three Phase Induction Motor - Squirrel Cage



Customer :

Product line : Explosion Proof Standard Efficiency Three-Phase Product code : 10668199



Performance : 575 V 60 Hz 4P

Rated current : 0.650 A
 LRC : 6.8
 Rated torque : 0.207 kgfm
 Locked rotor torque : 220 %
 Breakdown torque : 330 %
 Rated speed : 1755 rpm

Moment of inertia (J) : 0.0034 kgm²
 Duty cycle : Cont.(S1)
 Insulation class : B
 Service factor : 1.15
 Temperature rise : 80 K

Rev.	Changes Summary	Performed	Checked	Date
Performed by			Page 3 / 3	Revision
Checked by				
Date	26/10/2024			

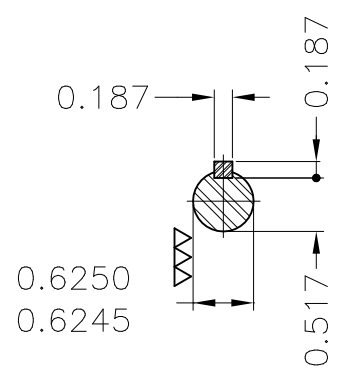
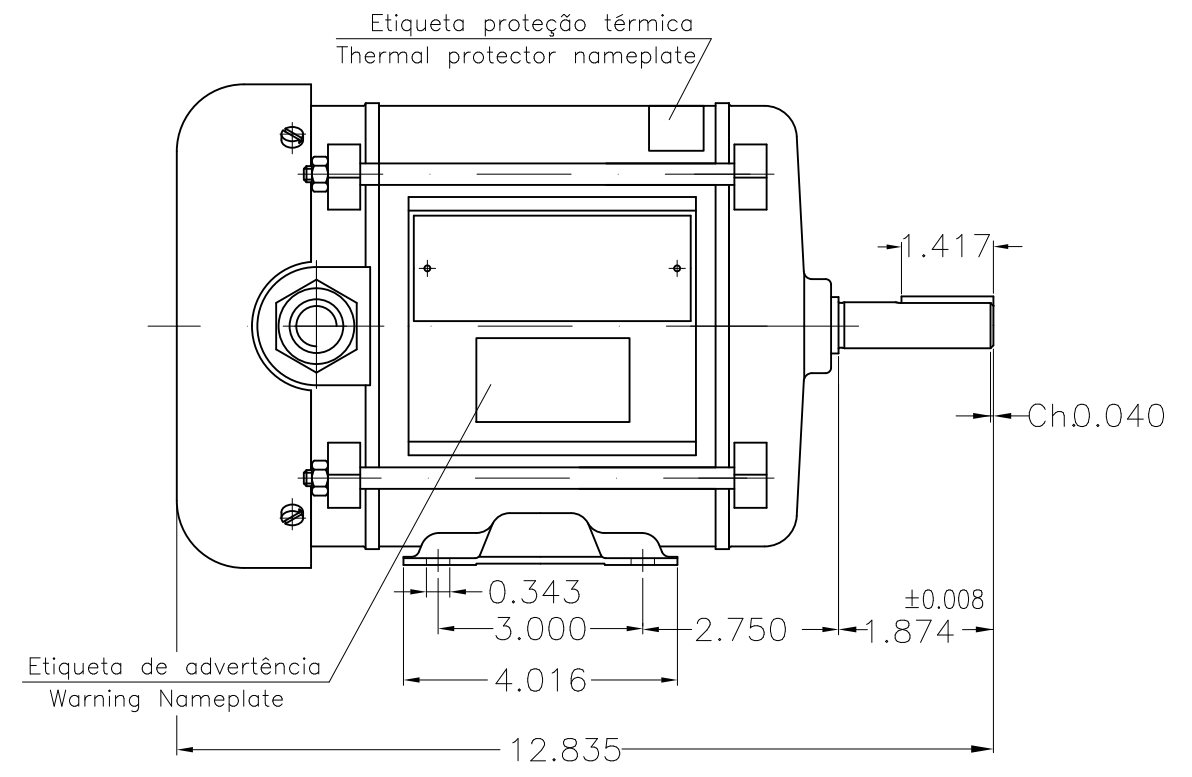
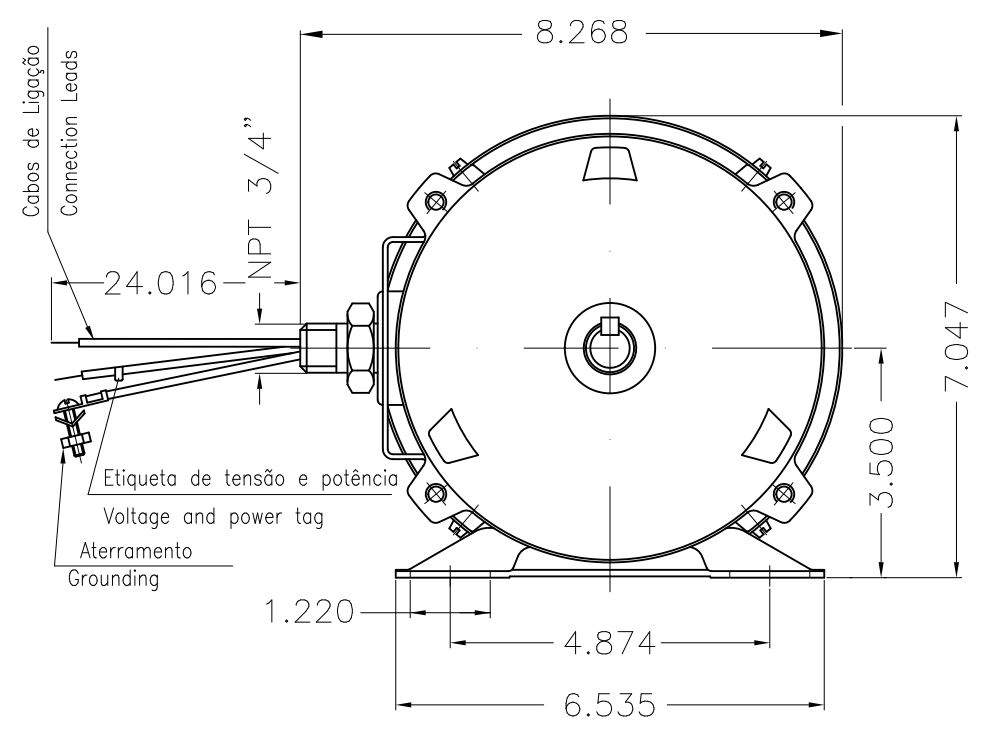
A

B

C

D

E



Mounting B3R(D)						
					HYBRISUSER	00
ECM	LOC	SUMMARY OF MODIFICATIONS		EXECUTED	CHECKED	RELEASED
EXECUTED	HYBRISUSER	THREE PH. MOTOR EXPLOSION PROOF FRAME B56EX IP44 TEFC		PREVIEW WDD 00 SHEET 1 / 1		
CHECKED						
RELEASED						
REL. DATE		WMO	Jaragua do Sul	Product Engineering		

0.5 HP 04 Poles 60 Hz

A