

DATA SHEET



Three Phase Induction Motor - Squirrel Cage

Customer : _____

Product line : Explosion Proof Standard Efficiency Three-Phase Product code : 10663463

| | | | |
|-----------------------|---------------------------|-----------------------------|------------------------|
| Frame | : B56EX | Locked rotor time | : 27s (cold) 15s (hot) |
| Output | : 0.5 HP (0.37 kW) | Temperature rise | : 80 K |
| Poles | : 4 | Duty cycle | : Cont.(S1) |
| Frequency | : 60 Hz | Ambient temperature | : -20°C to +40°C |
| Rated voltage | : 208-230/460 V | Altitude | : 1000 m.a.s.l. |
| Rated current | : 1.80-1.63/0.812 A | Protection degree | : IP44 |
| L. R. Amperes | : 12.2-11.0/5.52 A | Cooling method | : IC411 - TEFC |
| LRC | : 6.8x(Code K) | Mounting | : F-1 |
| No load current | : 1.38-1.25/0.625 A | Rotation ¹ | : Both (CW and CCW) |
| Rated speed | : 1755 rpm | Noise level ² | : 50.0 dB(A) |
| Slip | : 2.50 % | Starting method | : Direct On Line |
| Rated torque | : 0.207 kgfm | Approx. weight ³ | : 14.9 kg |
| Locked rotor torque | : 220 % | | |
| Breakdown torque | : 330 % | | |
| Insulation class | : B | | |
| Service factor | : 1.15 | | |
| Moment of inertia (J) | : 0.0034 kgm ² | | |

| | | | | |
|----------------|------|------|------|---|
| Output | 50% | 75% | 100% | Foundation loads Max. traction : 14 kgf Max. compression : 29 kgf |
| Efficiency (%) | 70.0 | 75.5 | 77.5 | |
| Power Factor | 0.52 | 0.64 | 0.73 | |

| | <u>Drive end</u> | <u>Non drive end</u> |
|------------------------|----------------------|----------------------|
| Bearing type : | 6203 ZZ | 6203 ZZ |
| Sealing : | Without Bearing Seal | Without Bearing Seal |
| Lubrication interval : | - | - |
| Lubricant amount : | - | - |
| Lubricant type : | Mobil Polyrex EM | |

Notes
USABLE @208V SF 1.00

This revision replaces and cancel the previous one, which must be eliminated.

- (1) Looking the motor from the shaft end.
- (2) Measured at 1m and with tolerance of +3dB(A).
- (3) Approximate weight subject to changes after manufacturing process.
- (4) At 100% of full load.

These are average values based on tests with sinusoidal power supply, subject to the tolerances stipulated in NEMA MG-1.

| Rev. | Changes Summary | Performed | Checked | Date |
|--------------|-----------------|-----------|---------------|----------|
| | | | | |
| Performed by | | | Page 1 / 3 | Revision |
| Checked by | | | | |
| Date | 26/10/2024 | | | |

DATA SHEET

Three Phase Induction Motor - Squirrel Cage



Customer : _____

Thermal protection

| ID | Application | Type | Quantity | Sensing Temperature |
|----|-------------|----------------------|-----------|---------------------|
| 1 | Winding | Thermostat - 2 wires | 1 x Phase | 130 °C |

| Rev. | Changes Summary | Performed | Checked | Date |
|--------------|-----------------|-----------|---------|----------|
| Performed by | | | | |
| Checked by | | | Page | Revision |
| Date | 26/10/2024 | | 2 / 3 | |

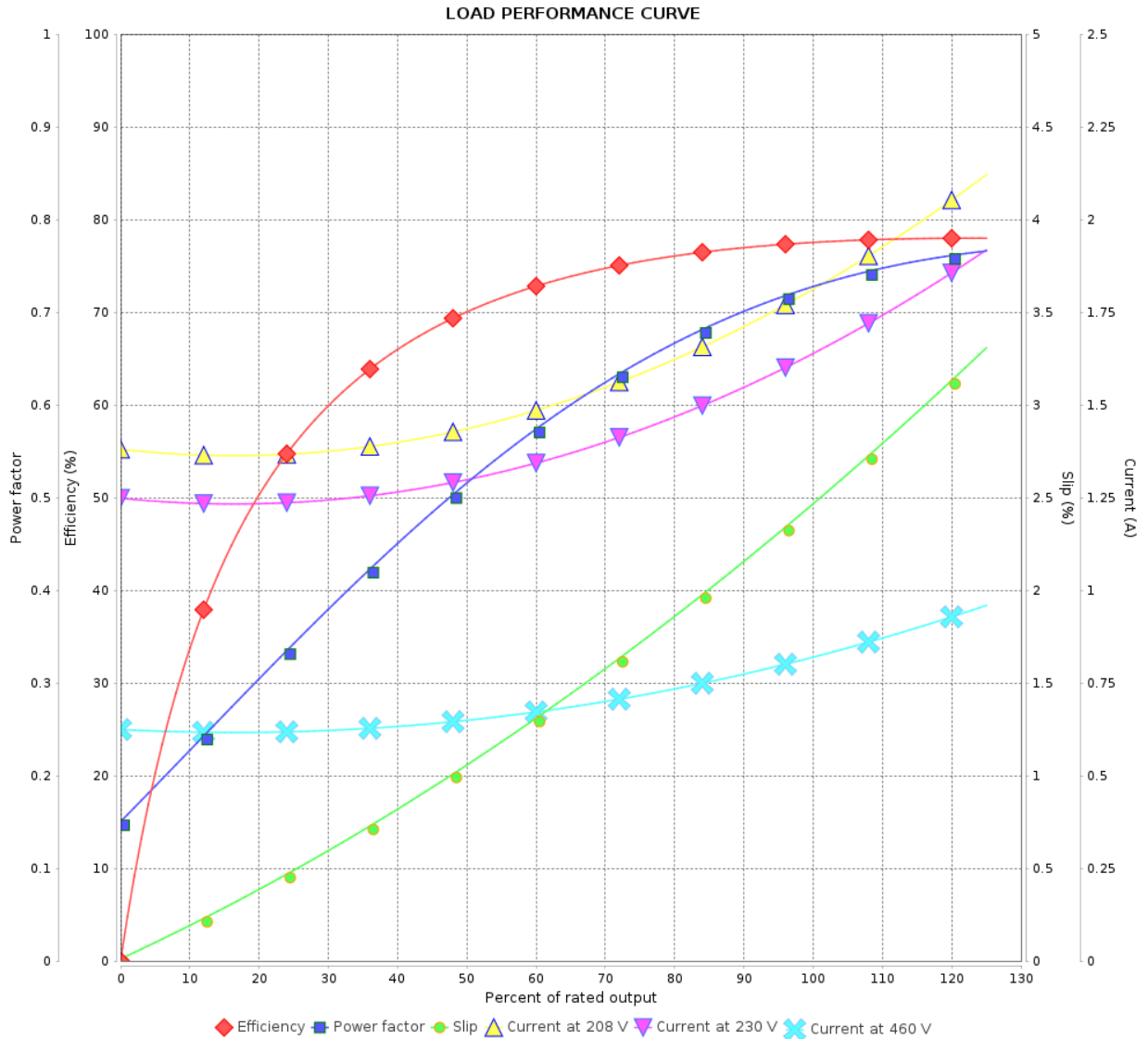
LOAD PERFORMANCE CURVE

Three Phase Induction Motor - Squirrel Cage



Customer : _____

Product line : Explosion Proof Standard Efficiency Three-Phase Product code : 10663463



Performance : 208-230/460 V 60 Hz 4P

Rated current : 1.80-1.63/0.812 A
 LRC : 6.8
 Rated torque : 0.207 kgfm
 Locked rotor torque : 220 %
 Breakdown torque : 330 %
 Rated speed : 1755 rpm

Moment of inertia (J) : 0.0034 kgm²
 Duty cycle : Cont.(S1)
 Insulation class : B
 Service factor :
 Temperature rise : 80 K

| Rev. | Changes Summary | Performed | Checked | Date |
|--------------|-----------------|-----------|---------|----------|
| | | | | |
| Performed by | | | Page | Revision |
| Checked by | | | | |
| Date | | | | |

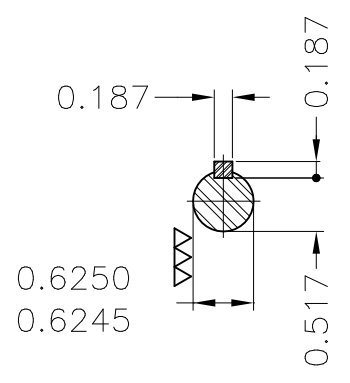
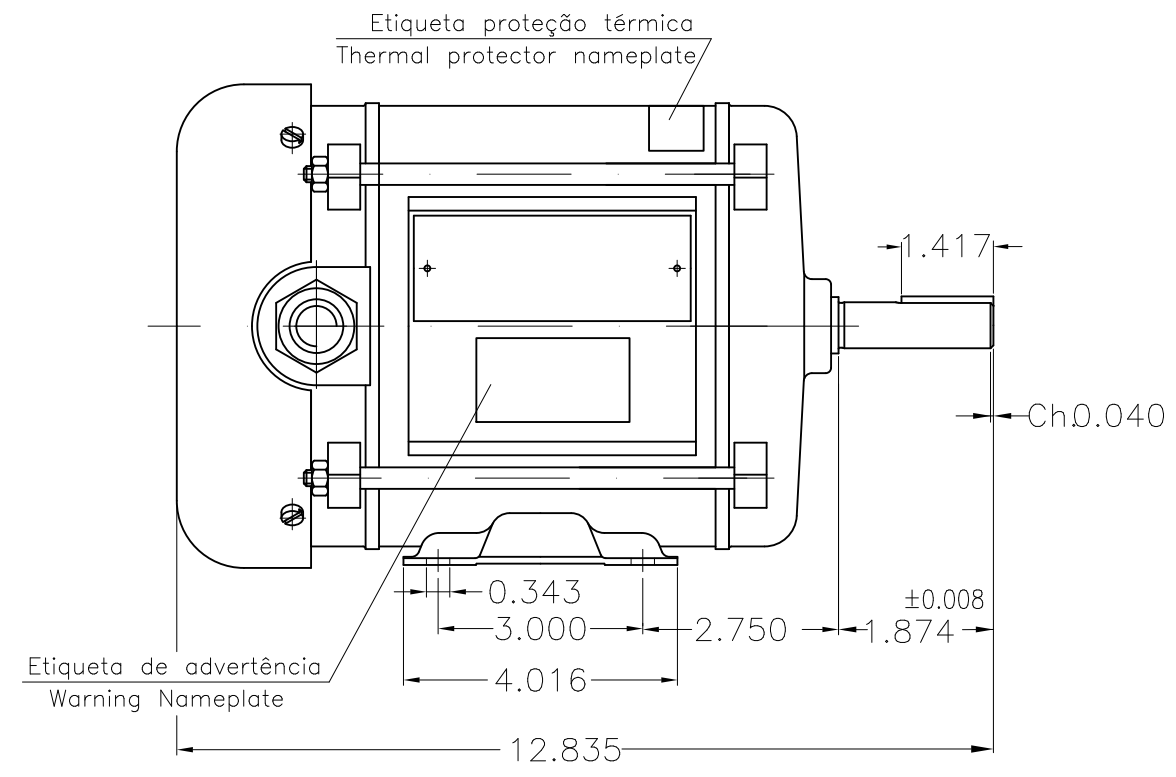
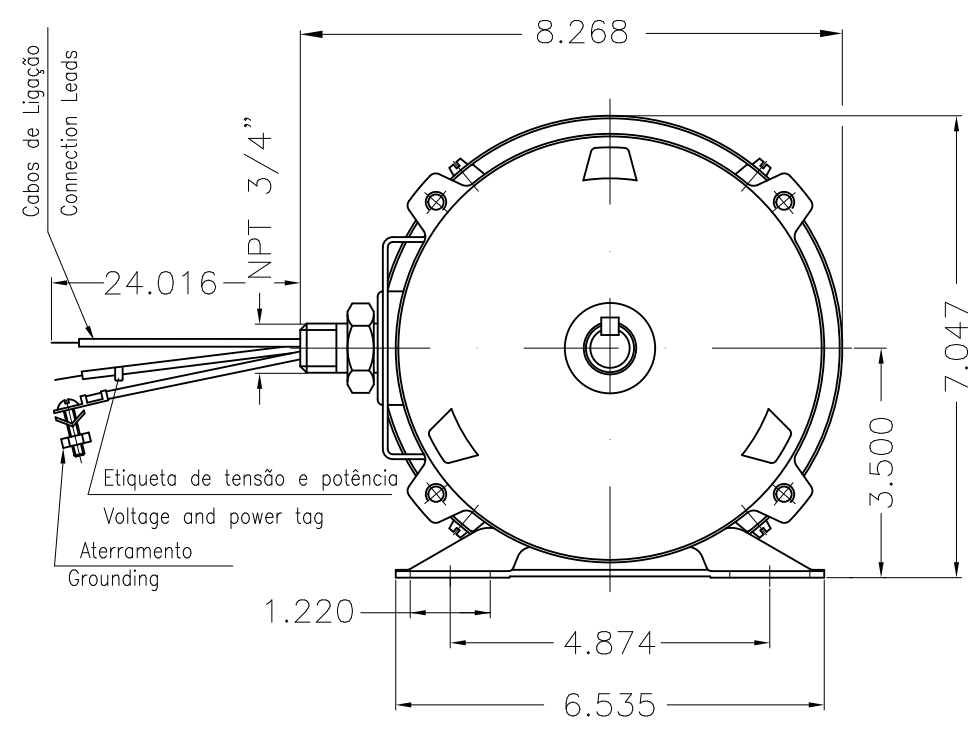
A

B

C

D

E



Dimensions in inches

| Mounting B3R(D) | | | | | | | | | | |
|-----------------|------------|---------------------------------|----------------|---------------------|--|------------|---------|----------|------|-----|
| ECM | LOC | SUMMARY OF MODIFICATIONS | | | | EXECUTED | CHECKED | RELEASED | DATE | VER |
| EXECUTED | HYBRISUSER | THREE PH. MOTOR EXPLOSION PROOF | | | | | | | | |
| CHECKED | | FRAME B56EX IP44 TEFC | | | | | | | | |
| RELEASED | | | | | | | | | | |
| REL. DATE | | WMO | Jaragua do Sul | Product Engineering | | | | | | |
| | | | | | | HYBRISUSER | | | | 00 |
| | | | | | | PREVIEW | | | | |
| | | | | | | WDD | | 00 | | |
| | | | | | | SHEET | | 1 / 1 | | |

0.5 HP 04 Poles 60 Hz

A

