

DATA SHEET



Three Phase Induction Motor - Squirrel Cage

Customer :						
Product line : Explosion Proof Standard Efficiency Three-Phase Product code : 10674700						
Frame	: A56EX			Locked rotor time	: 27s (cold) 15s (hot)	
Output	: 0.33 HP (0.25 kW)			Temperature rise	: 80 K	
Poles	: 4			Duty cycle	: Cont.(S1)	
Frequency	: 60 Hz			Ambient temperature	: -20°C to +40°C	
Rated voltage	: 575 V			Altitude	: 1000 m.a.s.l.	
Rated current	: 0.520 A			Protection degree	: IP44	
L. R. Amperes	: 2.70 A			Cooling method	: IC411 - TEFC	
LRC	: 5.2x(Code K)			Mounting	: F-1	
No load current	: 0.400 A			Rotation ¹	: Both (CW and CCW)	
Rated speed	: 1750 rpm			Noise level ²	: 50.0 dB(A)	
Slip	: 2.78 %			Starting method	: Direct On Line	
Rated torque	: 0.137 kgfm			Approx. weight ³	: 13.4 kg	
Locked rotor torque	: 240 %					
Breakdown torque	: 300 %					
Insulation class	: B					
Service factor	: 1.15					
Moment of inertia (J)	: 0.0026 kgm ²					
Output	50%	75%	100%	Foundation loads		
Efficiency (%)	66.0	72.0	74.0	Max. traction	: 6 kgf	
Power Factor	0.43	0.50	0.65	Max. compression	: 19 kgf	
Bearing type	:	<u>Drive end</u> 6203 ZZ		<u>Non drive end</u> 6203 ZZ		
Sealing	:	Without Bearing Seal		Without Bearing Seal		
Lubrication interval	:	-		-		
Lubricant amount	:	-		-		
Lubricant type	:	Mobil Polyrex EM				
Notes						
This revision replaces and cancel the previous one, which must be eliminated.			These are average values based on tests with sinusoidal power supply, subject to the tolerances stipulated in NEMA MG-1.			
(1) Looking the motor from the shaft end. (2) Measured at 1m and with tolerance of +3dB(A). (3) Approximate weight subject to changes after manufacturing process. (4) At 100% of full load.						
Rev.	Changes Summary			Performed	Checked	Date
Performed by						
Checked by					Page	Revision
Date	26/10/2024				1 / 3	

DATA SHEET

Three Phase Induction Motor - Squirrel Cage



Customer : _____

Thermal protection

ID	Application	Type	Quantity	Sensing Temperature
1	Winding	Thermostat - 2 wires	1 x Phase	130 °C

Rev.	Changes Summary	Performed	Checked	Date
Performed by				
Checked by			Page	Revision
Date	26/10/2024		2 / 3	

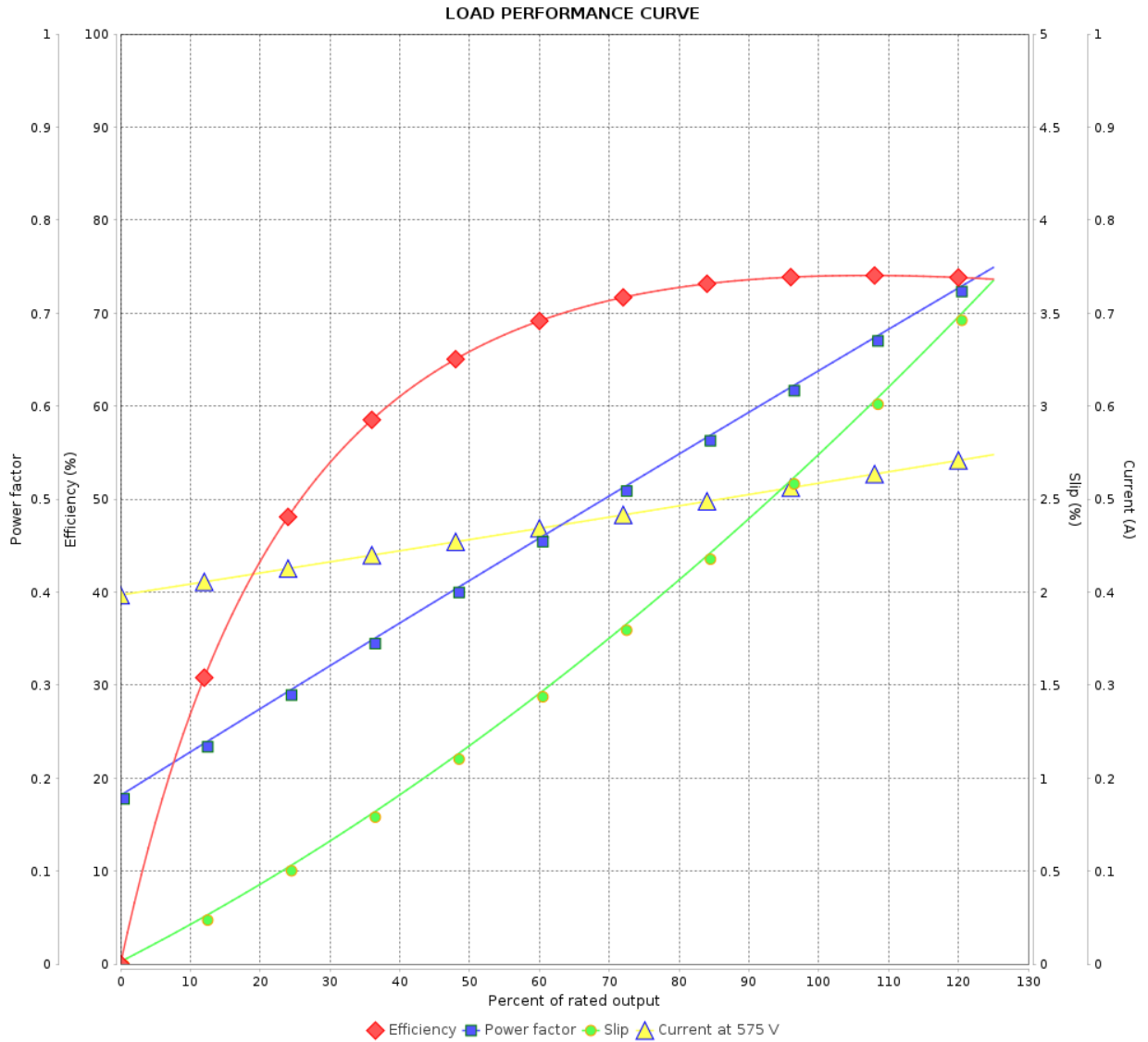
LOAD PERFORMANCE CURVE

Three Phase Induction Motor - Squirrel Cage



Customer :

Product line : Explosion Proof Standard Efficiency Three-Phase Product code : 10674700



Performance : 575 V 60 Hz 4P

Rated current : 0.520 A
 LRC : 5.2
 Rated torque : 0.137 kgfm
 Locked rotor torque : 240 %
 Breakdown torque : 300 %
 Rated speed : 1750 rpm

Moment of inertia (J) : 0.0026 kgm²
 Duty cycle : Cont.(S1)
 Insulation class : B
 Service factor : 1.15
 Temperature rise : 80 K

Rev.	Changes Summary	Performed	Checked	Date
Performed by			Page	Revision
Checked by				
Date				

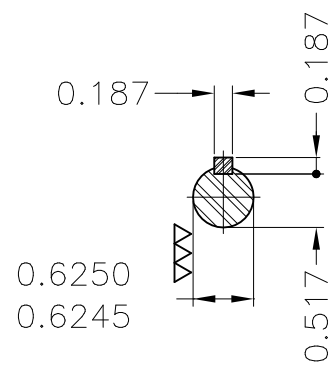
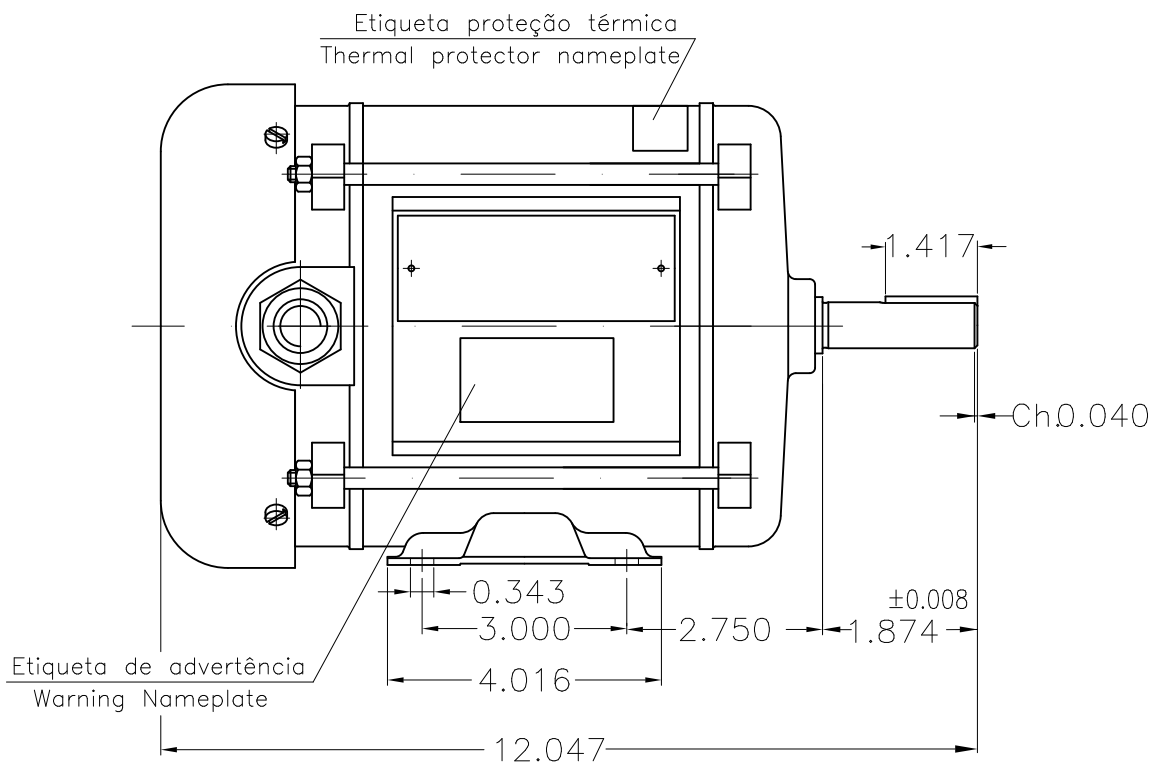
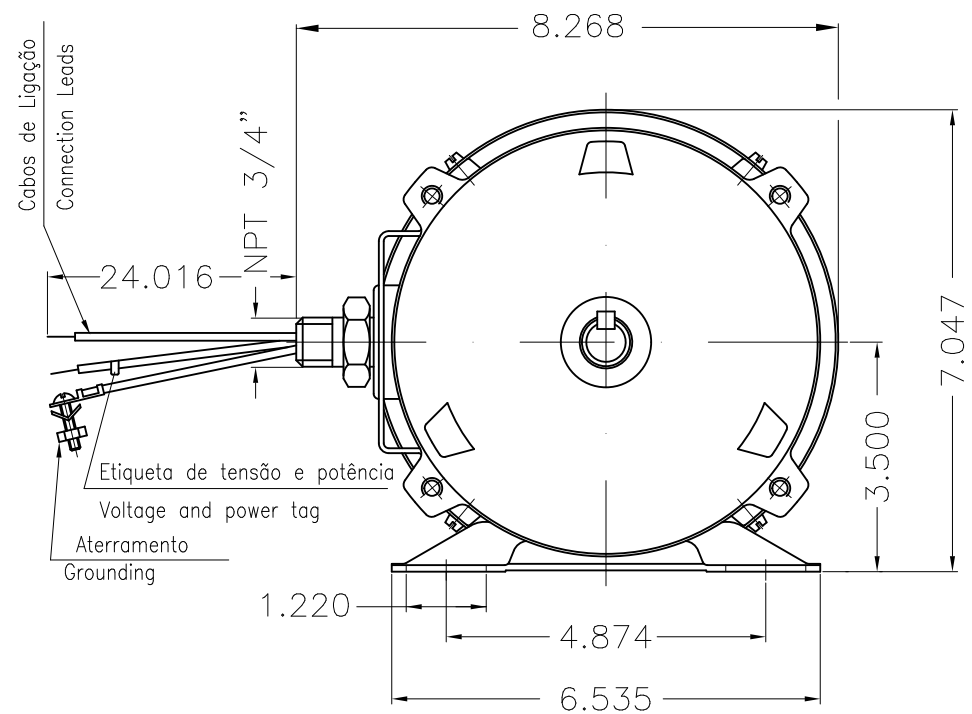
A

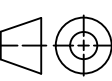

B

C

D

E



Mounting B3R(D)										
					HYBRISUSER		00			
ECM	LOC	SUMMARY OF MODIFICATIONS				EXECUTED	CHECKED	RELEASED	DATE	VER
EXECUTED	HYBRISUSER	 THREE PH. MOTOR EXPLOSION PROOF FRAME A56EX IP44 TEFC				PREVIEW WDD 00				
CHECKED										
RELEASED										
REL. DATE		WMO	Jaragua do Sul	Product Engineering	SHEET	1 / 1				

0.33 HP 04 Poles 60 Hz

A