

DATA SHEET

Three Phase Induction Motor - Squirrel Cage



Customer :

Product line : Explosion Proof Standard Efficiency Three-Phase Product code : 10962059

Frame	: A56EX	Locked rotor time	: 27s (cold) 15s (hot)
Output	: 0.33 HP (0.25 kW)	Temperature rise	: 80 K
Poles	: 4	Duty cycle	: Cont.(S1)
Frequency	: 60 Hz	Ambient temperature	: -20°C to +40°C
Rated voltage	: 208-230/460 V	Altitude	: 1000 m.a.s.l.
Rated current	: 1.44-1.30/0.650 A	Protection degree	: IP44
L. R. Amperes	: 7.48-6.76/3.38 A	Cooling method	: IC411 - TEFC
LRC	: 5.2x(Code K)	Mounting	: F-1
No load current	: 1.11-1.00/0.500 A	Rotation ¹	: Both (CW and CCW)
Rated speed	: 1750 rpm	Noise level ²	: 50.0 dB(A)
Slip	: 2.78 %	Starting method	: Direct On Line
Rated torque	: 0.137 kgfm	Approx. weight ³	: 13.4 kg
Locked rotor torque	: 240 %		
Breakdown torque	: 300 %		
Insulation class	: B		
Service factor	: 1.15		
Moment of inertia (J)	: 0.0026 kgm ²		

Output	50%	75%	100%	Foundation loads	
Efficiency (%)	66.0	72.0	74.0	Max. traction	: 6 kgf
Power Factor	0.43	0.50	0.65	Max. compression	: 19 kgf

	<u>Drive end</u>	<u>Non drive end</u>
Bearing type	: 6203 ZZ	: 6203 ZZ
Sealing	: Without Bearing Seal	: Without Bearing Seal
Lubrication interval	: -	: -
Lubricant amount	: -	: -
Lubricant type	: Mobil Polyrex EM	

Notes
USABLE @208V SF 1.00

This revision replaces and cancel the previous one, which must be eliminated.
(1) Looking the motor from the shaft end.
(2) Measured at 1m and with tolerance of +3dB(A).
(3) Approximate weight subject to changes after manufacturing process.
(4) At 100% of full load.

These are average values based on tests with sinusoidal power supply, subject to the tolerances stipulated in NEMA MG-1.

Rev.	Changes Summary	Performed	Checked	Date
Performed by				
Checked by			Page	Revision
Date	26/10/2024		1 / 3	

DATA SHEET

Three Phase Induction Motor - Squirrel Cage



Customer : _____

Thermal protection

ID	Application	Type	Quantity	Sensing Temperature
1	Winding	Thermostat - 2 wires	1 x Phase	130 °C

Rev.	Changes Summary	Performed	Checked	Date
Performed by				
Checked by			Page	Revision
Date	26/10/2024		2 / 3	

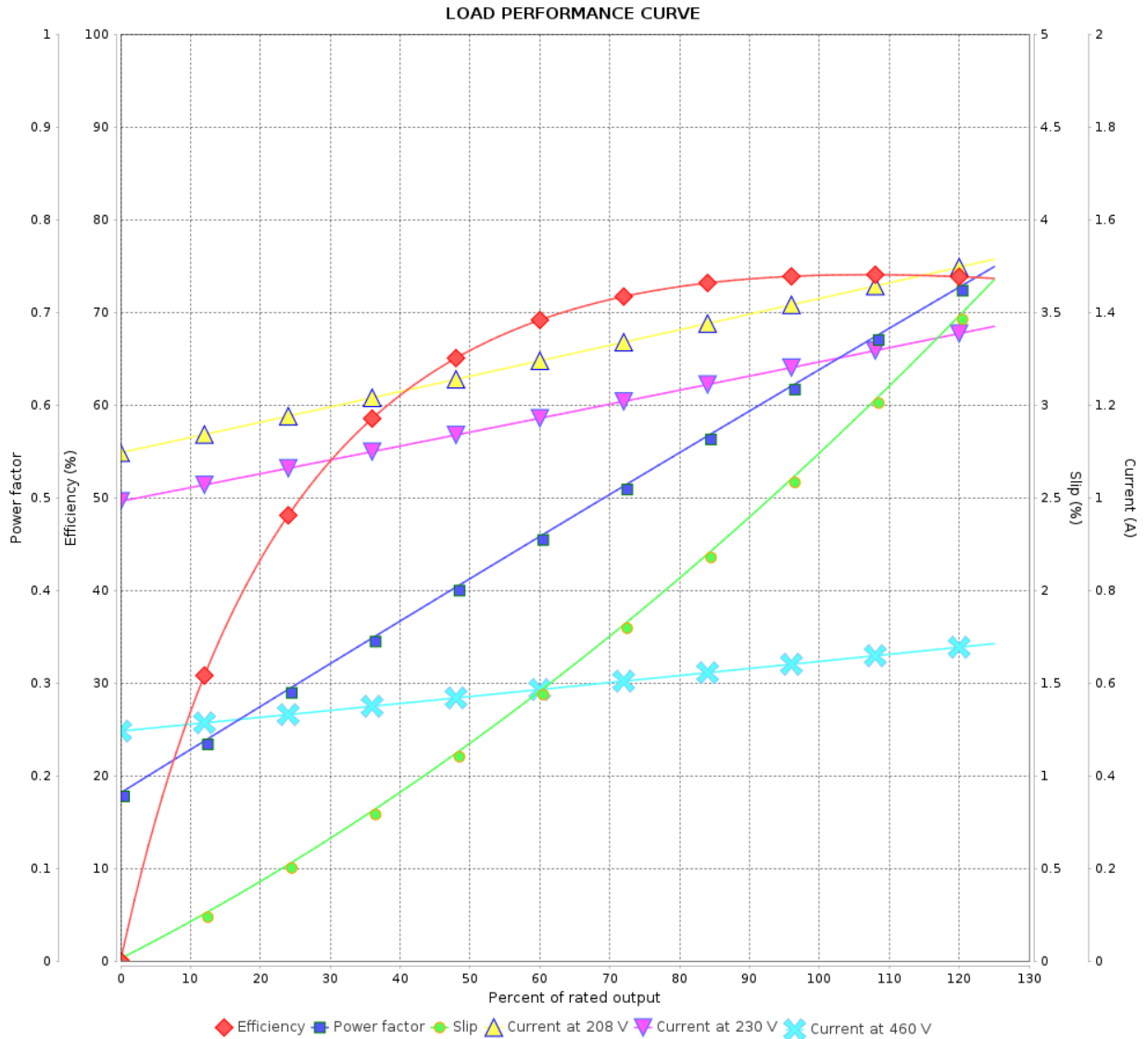
LOAD PERFORMANCE CURVE

Three Phase Induction Motor - Squirrel Cage



Customer : _____

Product line : Explosion Proof Standard Efficiency Three-Phase Product code : 10962059

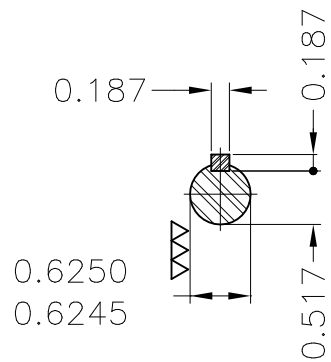
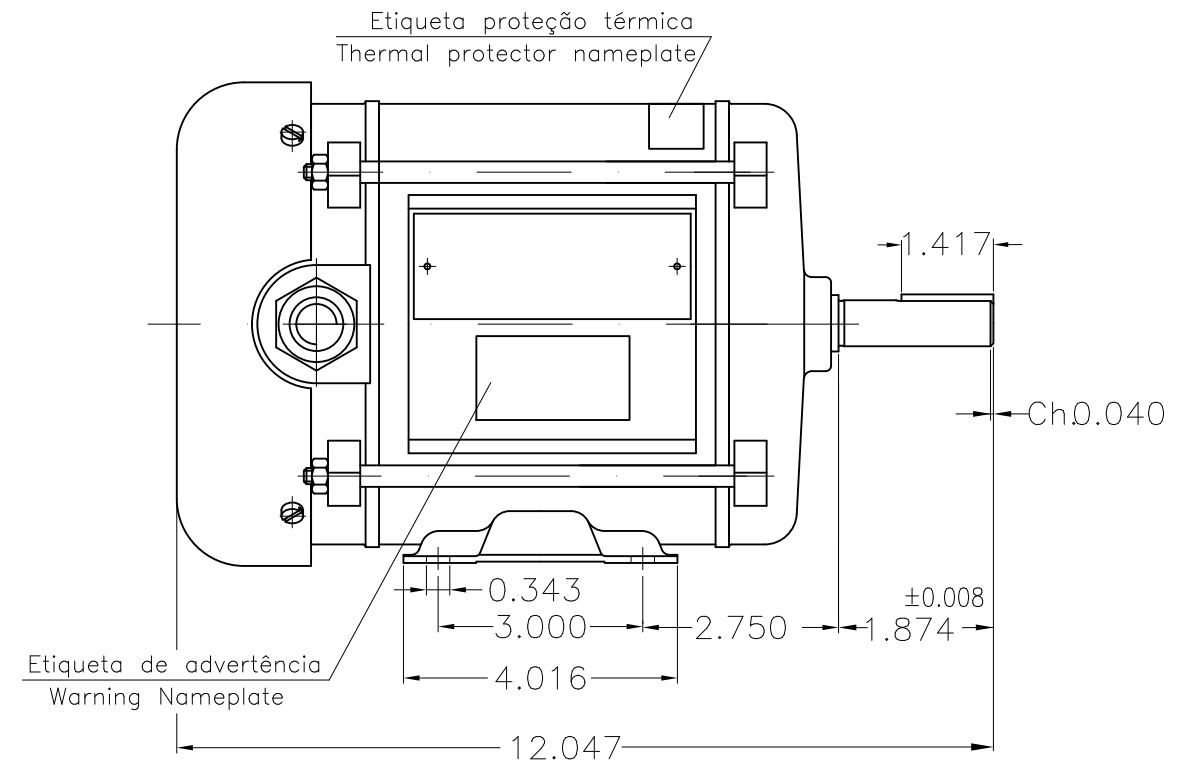
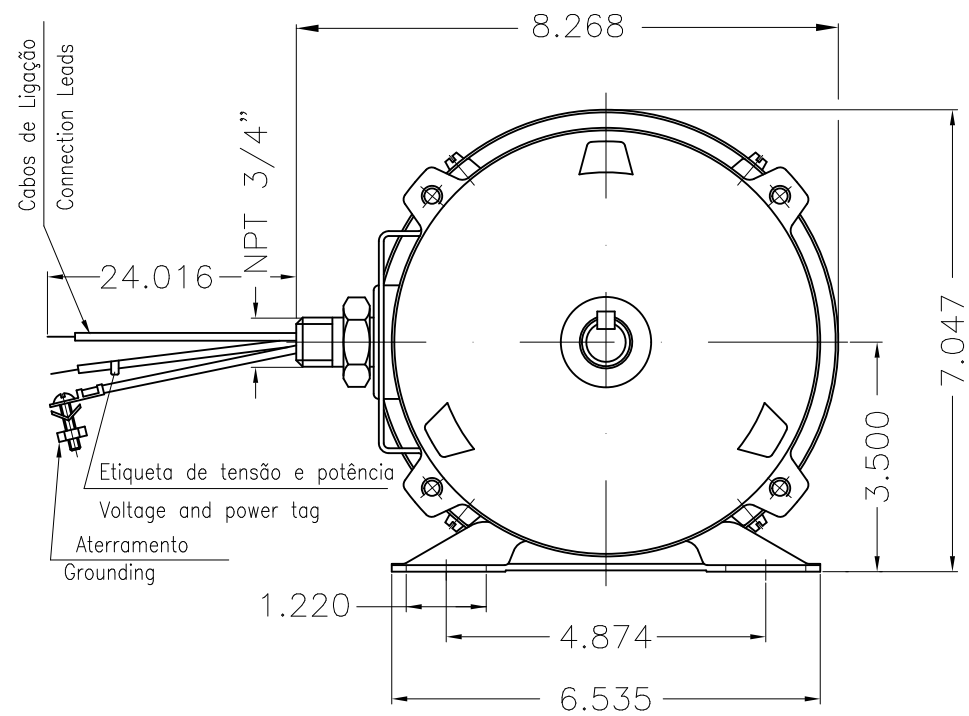


Performance : 208-230/460 V 60 Hz 4P

Rated current : 1.44-1.30/0.650 A
 LRC : 5.2
 Rated torque : 0.137 kgfm
 Locked rotor torque : 240 %
 Breakdown torque : 300 %
 Rated speed : 1750 rpm

Moment of inertia (J) : 0.0026 kgm²
 Duty cycle : Cont.(S1)
 Insulation class : B
 Service factor :
 Temperature rise : 80 K

Rev.	Changes Summary	Performed	Checked	Date
Performed by			Page	Revision
Checked by				
Date				



Mounting B3R(D)

ECM		LOC	SUMMARY OF MODIFICATIONS			HYBRISUSER	00	
EXECUTED	HYBRISUSER		THREE PH. MOTOR EXPLOSION PROOF	EXECUTED	CHECKED	RELEASED	DATE	VER
CHECKED			FRAME A56EX IP44 TEFC					
RELEASED								
REL. DATE	WMO	Jaragua do Sul	Product Engineering	PREVIEW		WDD 00		
				SHEET 1 / 1				

0.33 HP 04 Poles 60 Hz

A