

DATA SHEET



Single Phase Induction Motor - Squirrel Cage

Customer :					
Product line		: Explosion Proof Single-Phase		Product code : 10713866	
Frame	: D56CEX		Locked rotor time	: 10s (cold) 6s (hot)	
Output	: 1 HP (0.75 kW)		Temperature rise	: 80 K	
Poles	: 4		Duty cycle	: Cont.(S1)	
Frequency	: 60 Hz		Ambient temperature	: -20°C to +40°C	
Rated voltage	: 115/208-230 V		Altitude	: 1000 m.a.s.l.	
Rated current	: 11.4/6.00-5.70 A		Protection degree	: IP44	
L. R. Amperes	: 61.6/32.4-30.8 A		Cooling method	: IC411 - TEFC	
LRC	: 5.4x(Code H)		Mounting	: F-1	
No load current	: 6.50/2.80-3.25 A		Rotation ¹	: Both (CW and CCW)	
Rated speed	: 1740 rpm		Noise level ²	: 55.0 dB(A)	
Slip	: 3.33 %		Starting method	: Direct On Line	
Rated torque	: 0.417 kgfm		Approx. weight ³	: 21.0 kg	
Locked rotor torque	: 190 %				
Breakdown torque	: 210 %				
Insulation class	: B				
Service factor	: 1.15				
Moment of inertia (J)	: 0.0060 kgm ²				
Output	50%	75%	100%	Foundation loads	
Efficiency (%)	72.1	74.7	74.9	Max. traction : 17 kgf	
Power Factor	0.56	0.68	0.75	Max. compression : 38 kgf	
		<u>Drive end</u>	<u>Non drive end</u>		
Bearing type	:	6203 ZZ	6203 ZZ		
Sealing	:	Without Bearing Seal	Without Bearing Seal		
Lubrication interval	:	-	-		
Lubricant amount	:	-	-		
Lubricant type	:	Mobil Polyrex EM			
Notes					
This revision replaces and cancel the previous one, which must be eliminated. (1) Looking the motor from the shaft end. (2) Measured at 1m and with tolerance of +3dB(A). (3) Approximate weight subject to changes after manufacturing process. (4) At 100% of full load.			These are average values based on tests with sinusoidal power supply, subject to the tolerances stipulated in NEMA MG-1.		
Rev.	Changes Summary		Performed	Checked	Date
Performed by					
Checked by				Page	Revision
Date	26/10/2024			1 / 2	

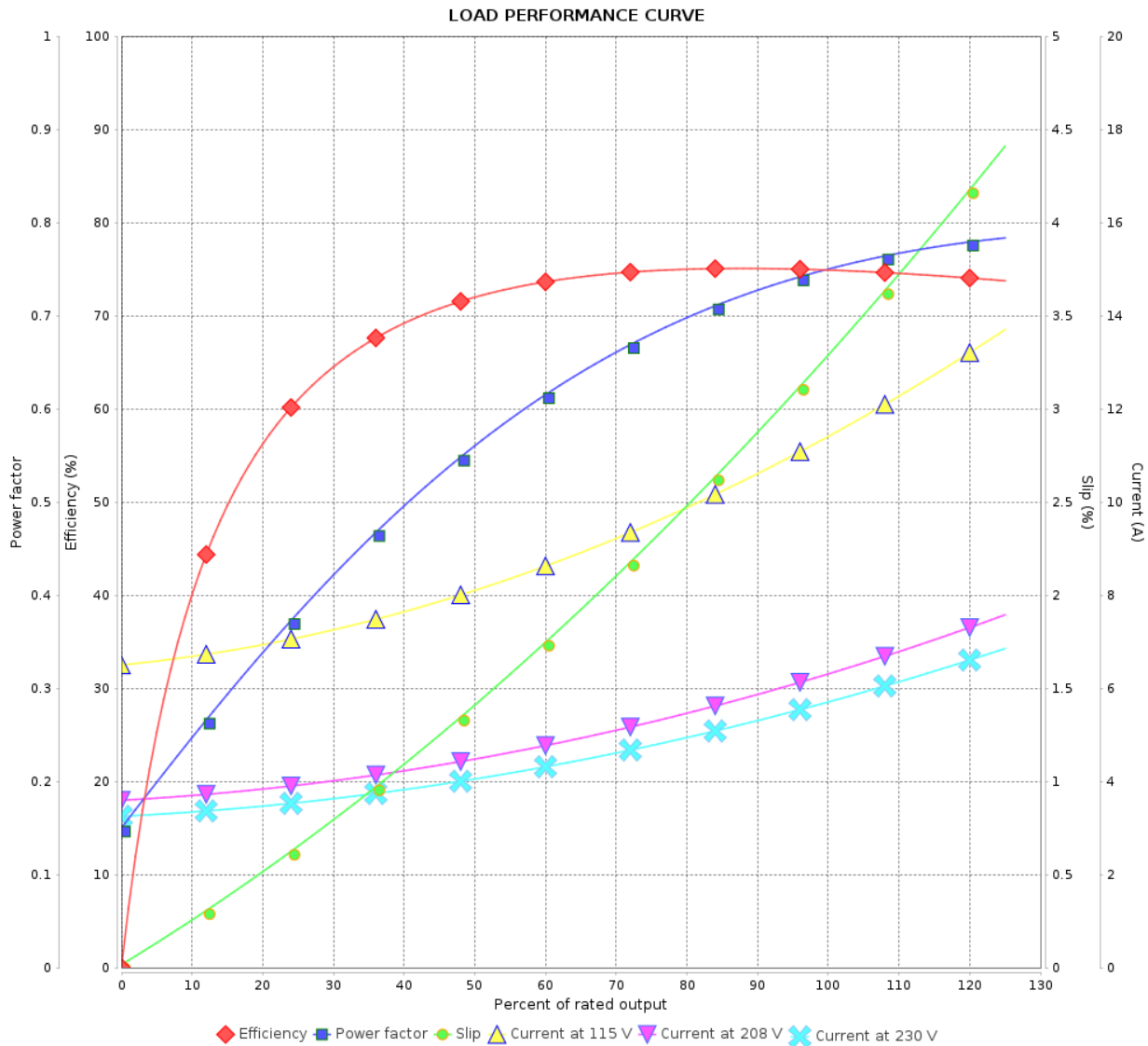
LOAD PERFORMANCE CURVE

Single Phase Induction Motor - Squirrel Cage



Customer :

Product line : Explosion Proof Single-Phase Product code : 10713866



Performance : 115/208-230 V 60 Hz 4P

Rated current : 11.4/6.00-5.70 A
 LRC : 5.4
 Rated torque : 0.417 kgfm
 Locked rotor torque : 190 %
 Breakdown torque : 210 %
 Rated speed : 1740 rpm

Moment of inertia (J) : 0.0060 kgm²
 Duty cycle : Cont.(S1)
 Insulation class : B
 Service factor :
 Temperature rise : 80 K

Rev.	Changes Summary	Performed	Checked	Date
Performed by			Page 2 / 2	Revision
Checked by				
Date	26/10/2024			

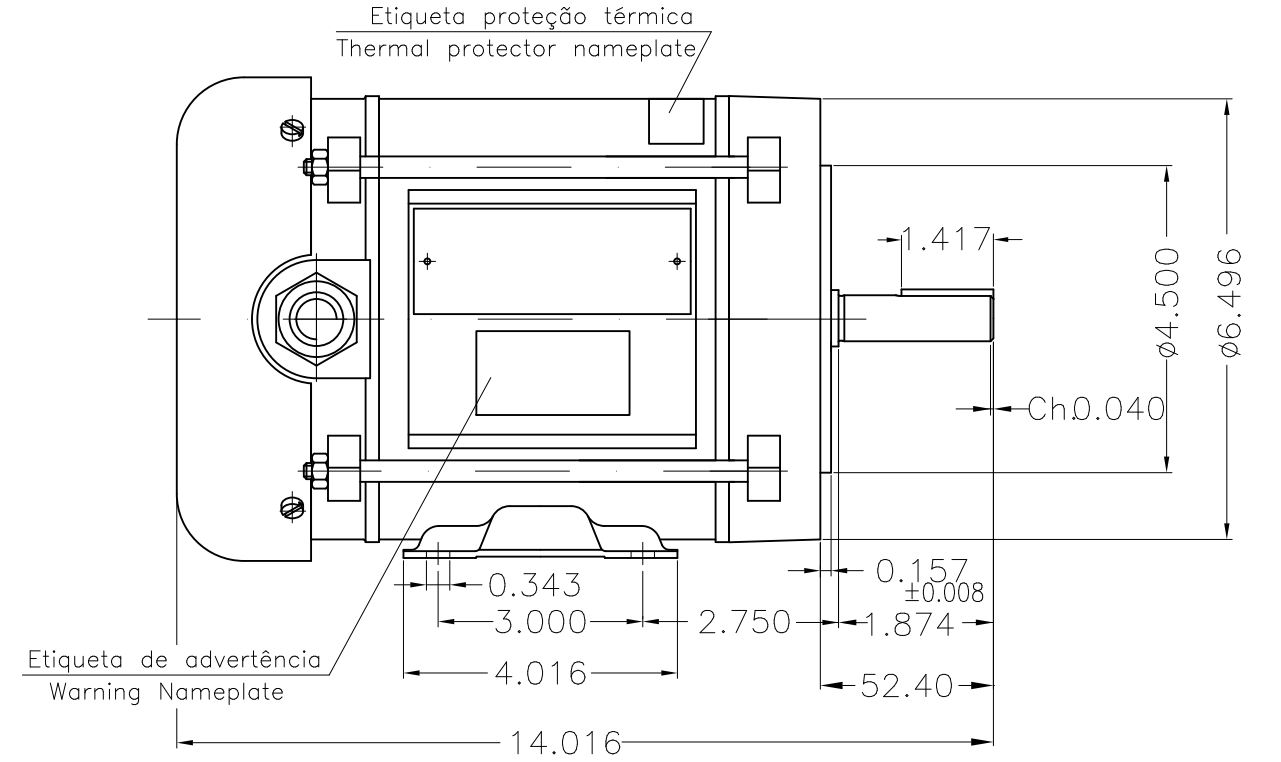
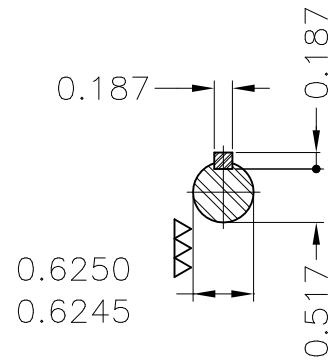
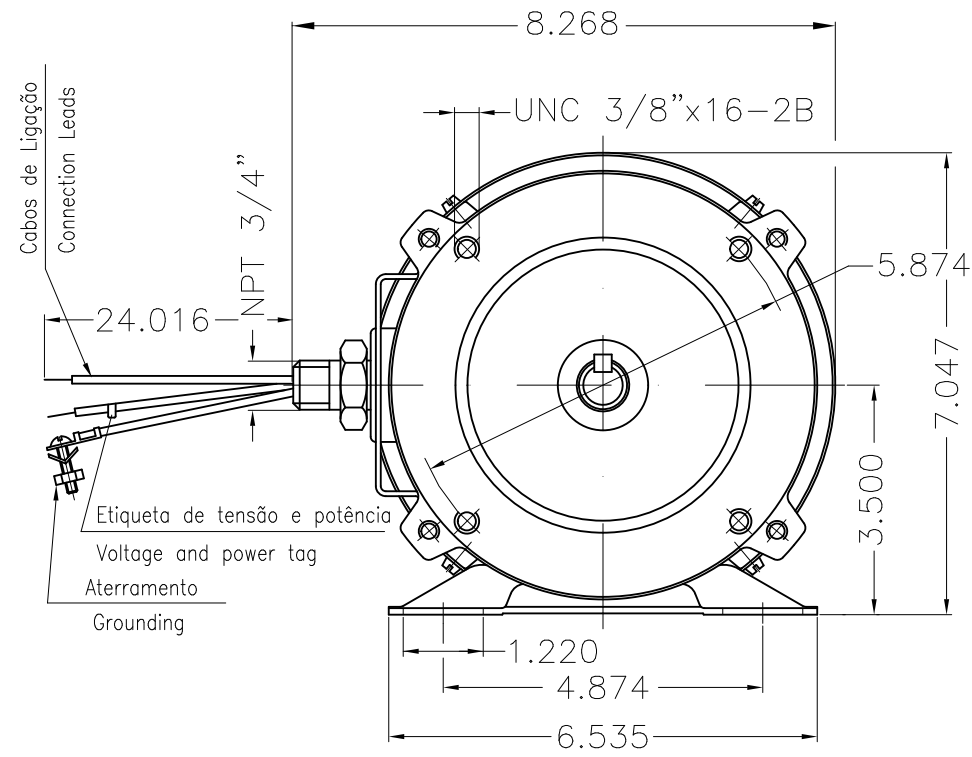
A

B

C

D

E



Sealing cement in the leads outlet special										
Rotation CW and CCW										
Mounting NEMA F-1										
Mounting B34R(D)										
HYBRISUSER 00										
ECM	LOC	SUMMARY OF MODIFICATIONS				EXECUTED	CHECKED	RELEASED	DATE	VER
EXECUTED	HYBRISUSER	SINGLE PH. MOTOR EXPLOSION PROOF				PREVIEW		WDD 00		
CHECKED		FRAME D56CEX IP44 TEFC				WEG				
RELEASED						SHEET		1 / 1		
REL. DATE		WMO	Jaragua do Sul	Product Engineering						

1 HP 04 Poles 60 Hz

A