

DATA SHEET



Three Phase Induction Motor - Squirrel Cage

Customer :

Product line : Explosion Proof Standard Efficiency Three-Phase Product code : 10674682

Frame	: B56CEX	Locked rotor time	: 27s (cold) 15s (hot)
Output	: 0.75 HP (0.550 kW)	Temperature rise	: 80 K
Poles	: 4	Duty cycle	: Cont.(S1)
Frequency	: 60 Hz	Ambient temperature	: -20°C to +40°C
Rated voltage	: 575 V	Altitude	: 1000 m.a.s.l.
Rated current	: 0.928 A	Protection degree	: IP44
L. R. Amperes	: 5.29 A	Cooling method	: IC411 - TEFC
LRC	: 5.7x(Code H)	Mounting	: F-1
No load current	: 0.560 A	Rotation ¹	: Both (CW and CCW)
Rated speed	: 1730 rpm	Noise level ²	: 50.0 dB(A)
Slip	: 3.89 %	Starting method	: Direct On Line
Rated torque	: 0.315 kgfm	Approx. weight ³	: 17.4 kg
Locked rotor torque	: 240 %		
Breakdown torque	: 280 %		
Insulation class	: B		
Service factor	: 1.15		
Moment of inertia (J)	: 0.0041 kgm ²		

Output	50%	75%	100%	Foundation loads	
Efficiency (%)	77.0	80.0	81.5	Max. traction	: 19 kgf
Power Factor	0.53	0.66	0.74	Max. compression	: 37 kgf

	Drive end	Non drive end
Bearing type	: 6203 ZZ	: 6203 ZZ
Sealing	: Without Bearing Seal	: Without Bearing Seal
Lubrication interval	: -	: -
Lubricant amount	: -	: -
Lubricant type	: Mobil Polyrex EM	

Notes

This revision replaces and cancel the previous one, which must be eliminated.

- (1) Looking the motor from the shaft end.
- (2) Measured at 1m and with tolerance of +3dB(A).
- (3) Approximate weight subject to changes after manufacturing process.
- (4) At 100% of full load.

These are average values based on tests with sinusoidal power supply, subject to the tolerances stipulated in NEMA MG-1.

Rev.	Changes Summary	Performed	Checked	Date
Performed by				
Checked by			Page	Revision
Date	26/10/2024		1 / 3	

DATA SHEET

Three Phase Induction Motor - Squirrel Cage



Customer : _____

Thermal protection

ID	Application	Type	Quantity	Sensing Temperature
1	Winding	Thermostat - 2 wires	1 x Phase	130 °C

Rev.	Changes Summary	Performed	Checked	Date
Performed by				
Checked by			Page	Revision
Date	26/10/2024		2 / 3	

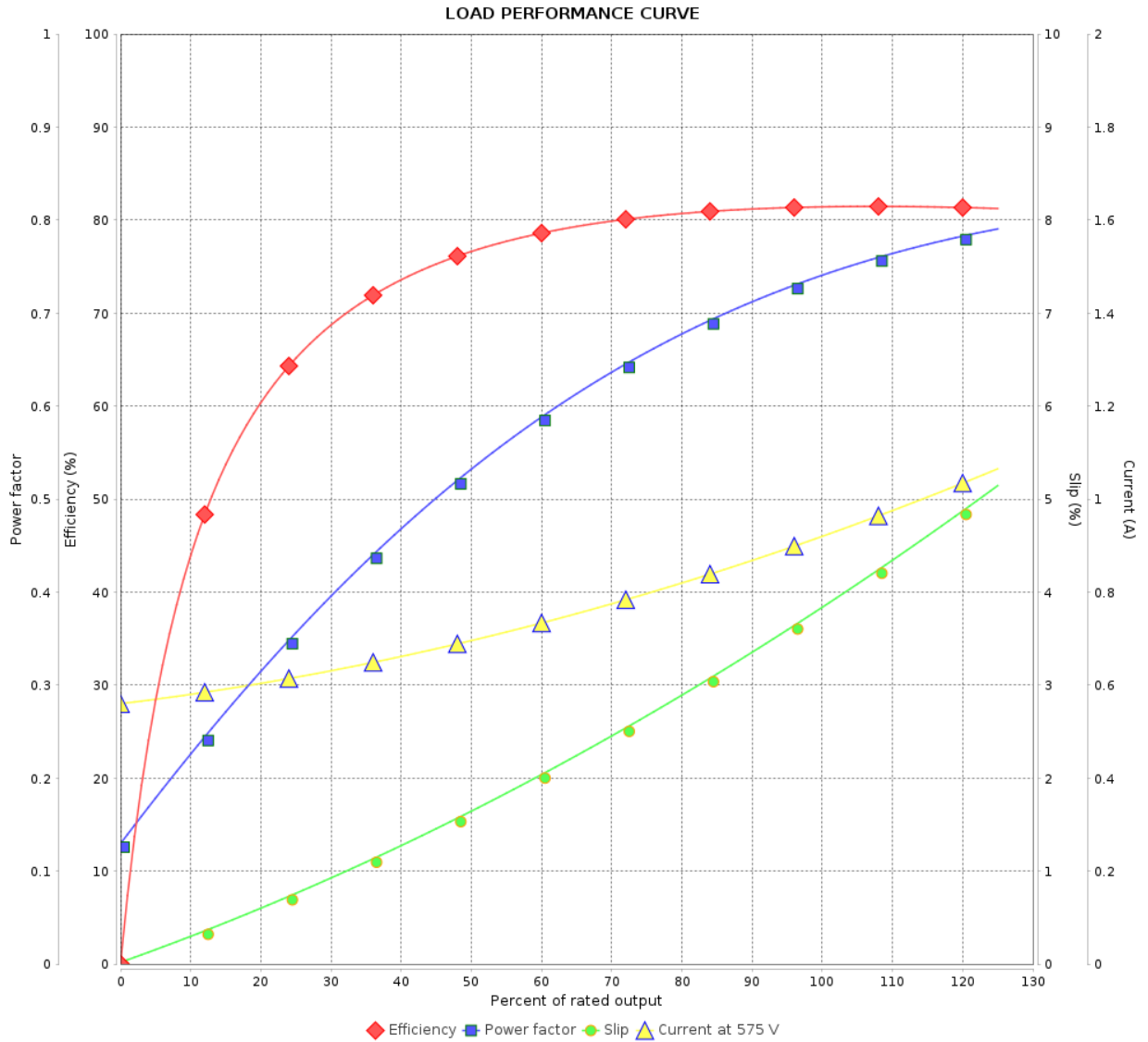
LOAD PERFORMANCE CURVE

Three Phase Induction Motor - Squirrel Cage



Customer :

Product line : Explosion Proof Standard Efficiency Three-Phase Product code : 10674682

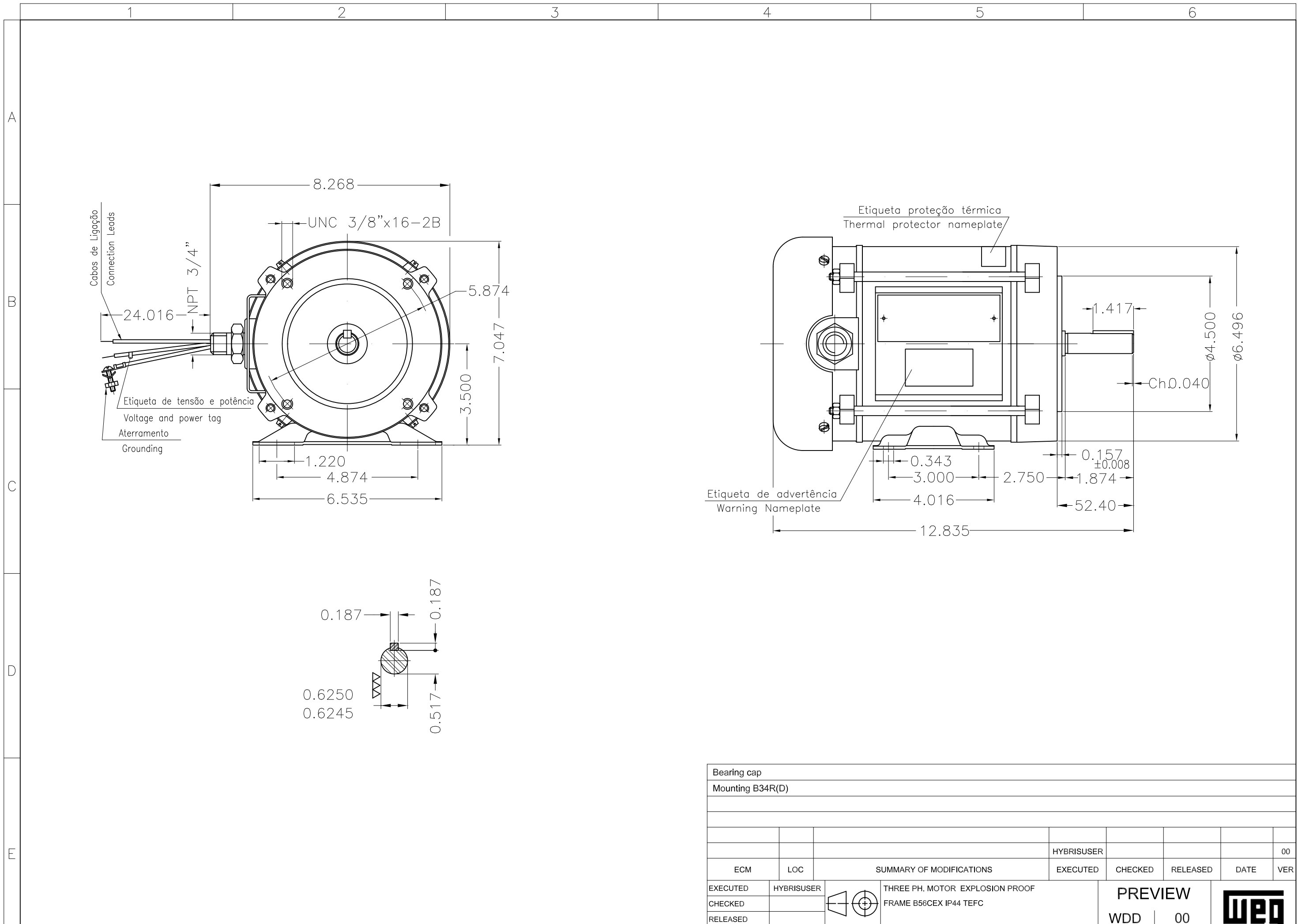


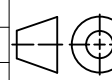

Performance : 575 V 60 Hz 4P

Rated current : 0.928 A
 LRC : 5.7
 Rated torque : 0.315 kgfm
 Locked rotor torque : 240 %
 Breakdown torque : 280 %
 Rated speed : 1730 rpm

Moment of inertia (J) : 0.0041 kgm²
 Duty cycle : Cont.(S1)
 Insulation class : B
 Service factor : 1.15
 Temperature rise : 80 K

Rev.	Changes Summary	Performed	Checked	Date
Performed by			Page	Revision
Checked by				
Date				



Bearing cap												
Mounting B34R(D)												
							HYBRISUSER					00
ECM	LOC	SUMMARY OF MODIFICATIONS				EXECUTED	CHECKED	RELEASED	DATE	VER		
EXECUTED	HYBRISUSER	 THREE PH. MOTOR EXPLOSION PROOF FRAME B56CEX IP44 TEFC				PREVIEW WDD 00						
CHECKED												
RELEASED												
REL. DATE		WMO	Jaragua do Sul	Product Engineering	SHEET	1 / 1						

0.75 HP 04 Poles 60 Hz

A

Dimensions in inches

XME A3