

# DATA SHEET



## Three Phase Induction Motor - Squirrel Cage

Customer :

Product line : Explosion Proof Standard Efficiency Three-Phase Product code : 10687989

Frame	: B56CEX	Locked rotor time	: 27s (cold) 15s (hot)
Output	: 0.75 HP (0.550 kW)	Temperature rise	: 80 K
Poles	: 4	Duty cycle	: Cont.(S1)
Frequency	: 60 Hz	Ambient temperature	: -20°C to +40°C
Rated voltage	: 208-230/460 V	Altitude	: 1000 m.a.s.l.
Rated current	: 2.57-2.32/1.16 A	Protection degree	: IP44
L. R. Amperes	: 14.6-13.2/6.61 A	Cooling method	: IC411 - TEFC
LRC	: 5.7x(Code H)	Mounting	: F-1
No load current	: 1.55-1.40/0.700 A	Rotation <sup>1</sup>	: Both (CW and CCW)
Rated speed	: 1730 rpm	Noise level <sup>2</sup>	: 50.0 dB(A)
Slip	: 3.89 %	Starting method	: Direct On Line
Rated torque	: 0.315 kgfm	Approx. weight <sup>3</sup>	: 17.5 kg
Locked rotor torque	: 240 %		
Breakdown torque	: 280 %		
Insulation class	: B		
Service factor	: 1.15		
Moment of inertia (J)	: 0.0041 kgm <sup>2</sup>		

Output	50%	75%	100%	Foundation loads Max. traction : 19 kgf Max. compression : 37 kgf
Efficiency (%)	77.0	80.0	81.5	
Power Factor	0.53	0.66	0.74	

		<u>Drive end</u>	<u>Non drive end</u>
Bearing type	:	6203 ZZ	6203 ZZ
Sealing	:	Without Bearing Seal	Without Bearing Seal
Lubrication interval	:	-	-
Lubricant amount	:	-	-
Lubricant type	:	Mobil Polyrex EM	

Notes  
USABLE @208V SF 1.00

<p>This revision replaces and cancel the previous one, which must be eliminated.  (1) Looking the motor from the shaft end.  (2) Measured at 1m and with tolerance of +3dB(A).  (3) Approximate weight subject to changes after manufacturing process.  (4) At 100% of full load.</p>	<p>These are average values based on tests with sinusoidal power supply, subject to the tolerances stipulated in NEMA MG-1.</p>
---	---

Rev.	Changes Summary	Performed	Checked	Date
Performed by				
Checked by			Page	Revision
Date	26/10/2024		1 / 3	

# DATA SHEET

## Three Phase Induction Motor - Squirrel Cage



Customer : \_\_\_\_\_

### Thermal protection

ID	Application	Type	Quantity	Sensing Temperature
1	Winding	Thermostat - 2 wires	1 x Phase	130 °C

Rev.	Changes Summary	Performed	Checked	Date
Performed by				
Checked by			Page	Revision
Date	26/10/2024		2 / 3	

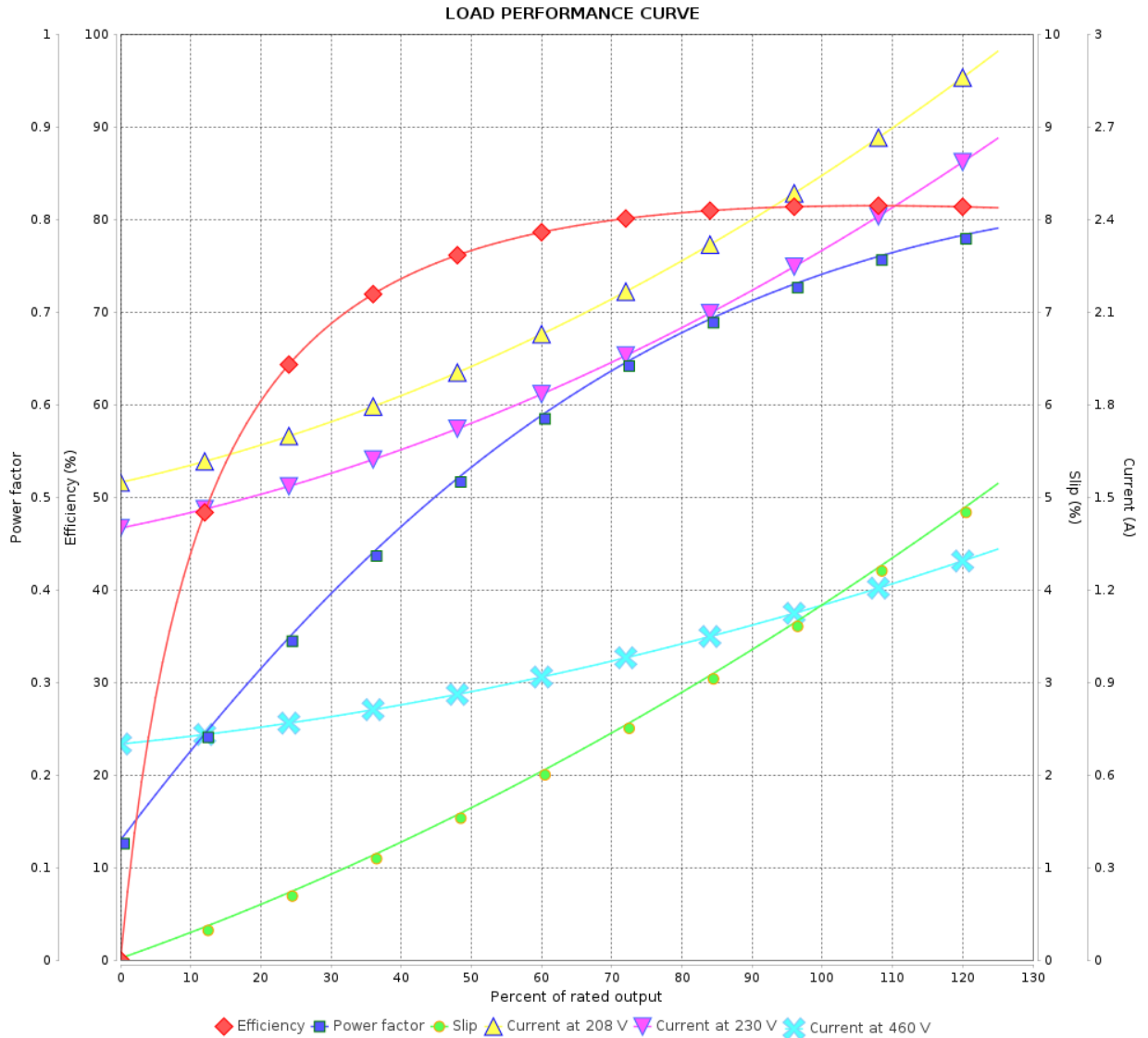
# LOAD PERFORMANCE CURVE

## Three Phase Induction Motor - Squirrel Cage



Customer :

Product line : Explosion Proof Standard Efficiency Three-Phase Product code : 10687989



Performance : 208-230/460 V 60 Hz 4P

Rated current : 2.57-2.32/1.16 A  
 LRC : 5.7  
 Rated torque : 0.315 kgfm  
 Locked rotor torque : 240 %  
 Breakdown torque : 280 %  
 Rated speed : 1730 rpm

Moment of inertia (J) : 0.0041 kgm<sup>2</sup>  
 Duty cycle : Cont.(S1)  
 Insulation class : B  
 Service factor :  
 Temperature rise : 80 K

Rev.	Changes Summary	Performed	Checked	Date
Performed by			Page	Revision
Checked by				
Date				

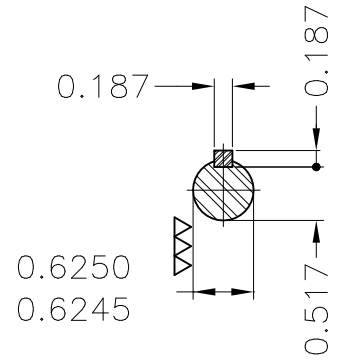
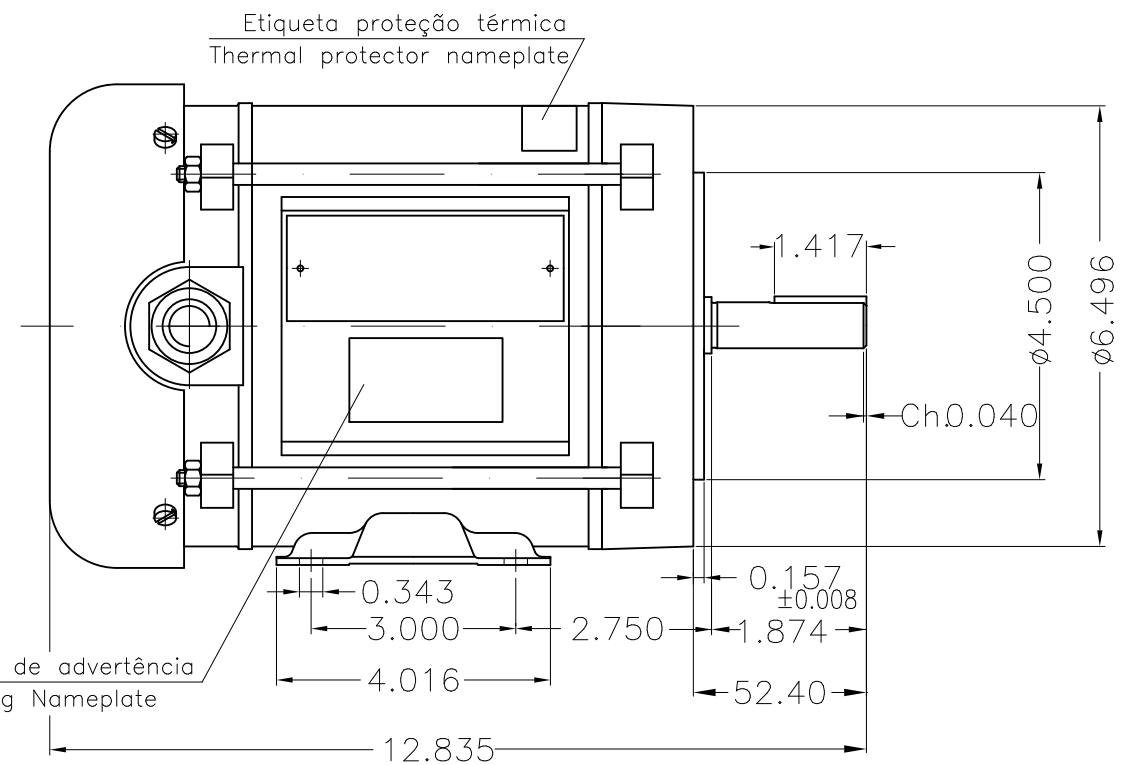
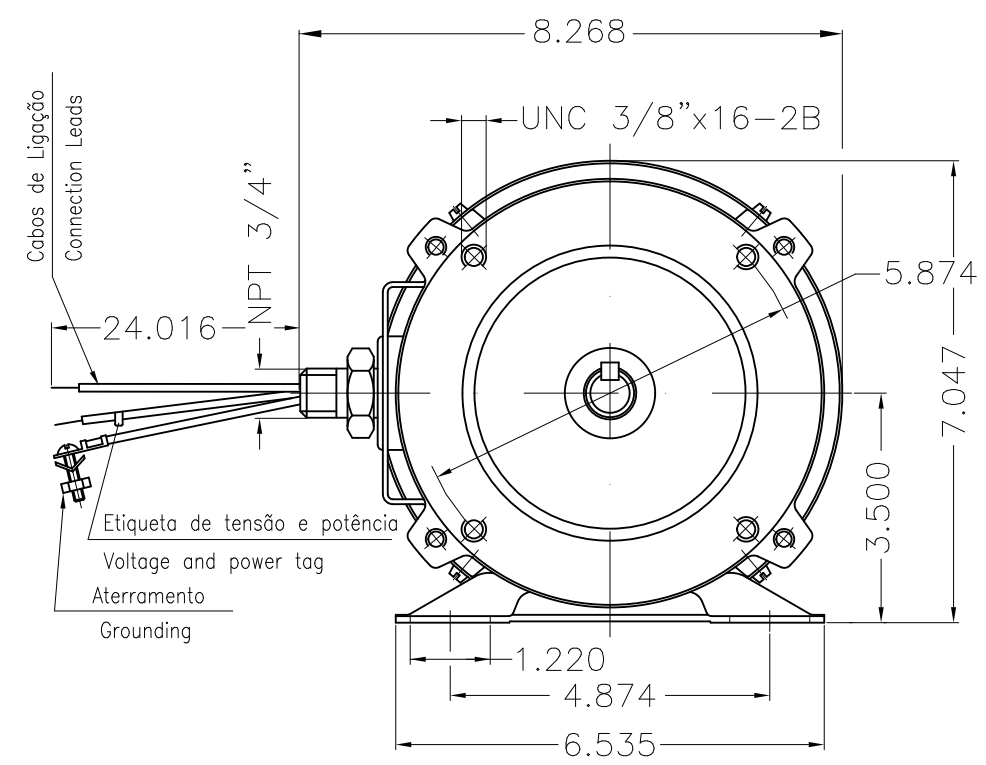
A

B

C

D

E



Bearing cap											
Mounting B34R(D)											
								HYBRISUSER		00	
ECM	LOC	SUMMARY OF MODIFICATIONS					EXECUTED	CHECKED	RELEASED	DATE	VER
EXECUTED	HYBRISUSER	THREE PH. MOTOR EXPLOSION PROOF FRAME B56CEX IP44 TEFC					PREVIEW		WDD   00		
CHECKED							SHEET		1 / 1		
RELEASED											
REL. DATE		WMO	Jaragua do Sul	Product Engineering							

0.75 HP 04 Poles 60 Hz

A