

DATA SHEET

Single Phase Induction Motor - Squirrel Cage



Customer :

Product line : Explosion Proof Single-Phase Product code : 10730948

Frame	: D56CEX	Locked rotor time	: 10s (cold) 6s (hot)
Output	: 0.75 HP (0.550 kW)	Temperature rise	: 80 K
Poles	: 4	Duty cycle	: Cont.(S1)
Frequency	: 60 Hz	Ambient temperature	: -20°C to +40°C
Rated voltage	: 115/208-230 V	Altitude	: 1000 m.a.s.l.
Rated current	: 11.0/5.40-5.50 A	Protection degree	: IP44
L. R. Amperes	: 70.4/34.6-35.2 A	Cooling method	: IC411 - TEFC
LRC	: 6.4x(Code M)	Mounting	: F-1
No load current	: 8.40/3.62-4.20 A	Rotation ¹	: Both (CW and CCW)
Rated speed	: 1760 rpm	Noise level ²	: 50.0 dB(A)
Slip	: 2.22 %	Starting method	: Direct On Line
Rated torque	: 0.309 kgfm	Approx. weight ³	: 19.8 kg
Locked rotor torque	: 320 %		
Breakdown torque	: 300 %		
Insulation class	: B		
Service factor	: 1.15		
Moment of inertia (J)	: 0.0053 kgm ²		

Output	50%	75%	100%	Foundation loads	
Efficiency (%)	57.0	65.0	71.5	Max. traction	: 20 kgf
Power Factor	0.42	0.53	0.61	Max. compression	: 39 kgf

	Drive end	Non drive end
Bearing type	: 6203 ZZ	: 6203 ZZ
Sealing	: Without Bearing Seal	: Without Bearing Seal
Lubrication interval	: -	: -
Lubricant amount	: -	: -
Lubricant type	: Mobil Polyrex EM	

Notes

This revision replaces and cancel the previous one, which must be eliminated.

- (1) Looking the motor from the shaft end.
- (2) Measured at 1m and with tolerance of +3dB(A).
- (3) Approximate weight subject to changes after manufacturing process.
- (4) At 100% of full load.

These are average values based on tests with sinusoidal power supply, subject to the tolerances stipulated in NEMA MG-1.

Rev.	Changes Summary	Performed	Checked	Date
Performed by				
Checked by			Page	Revision
Date	26/10/2024		1 / 2	

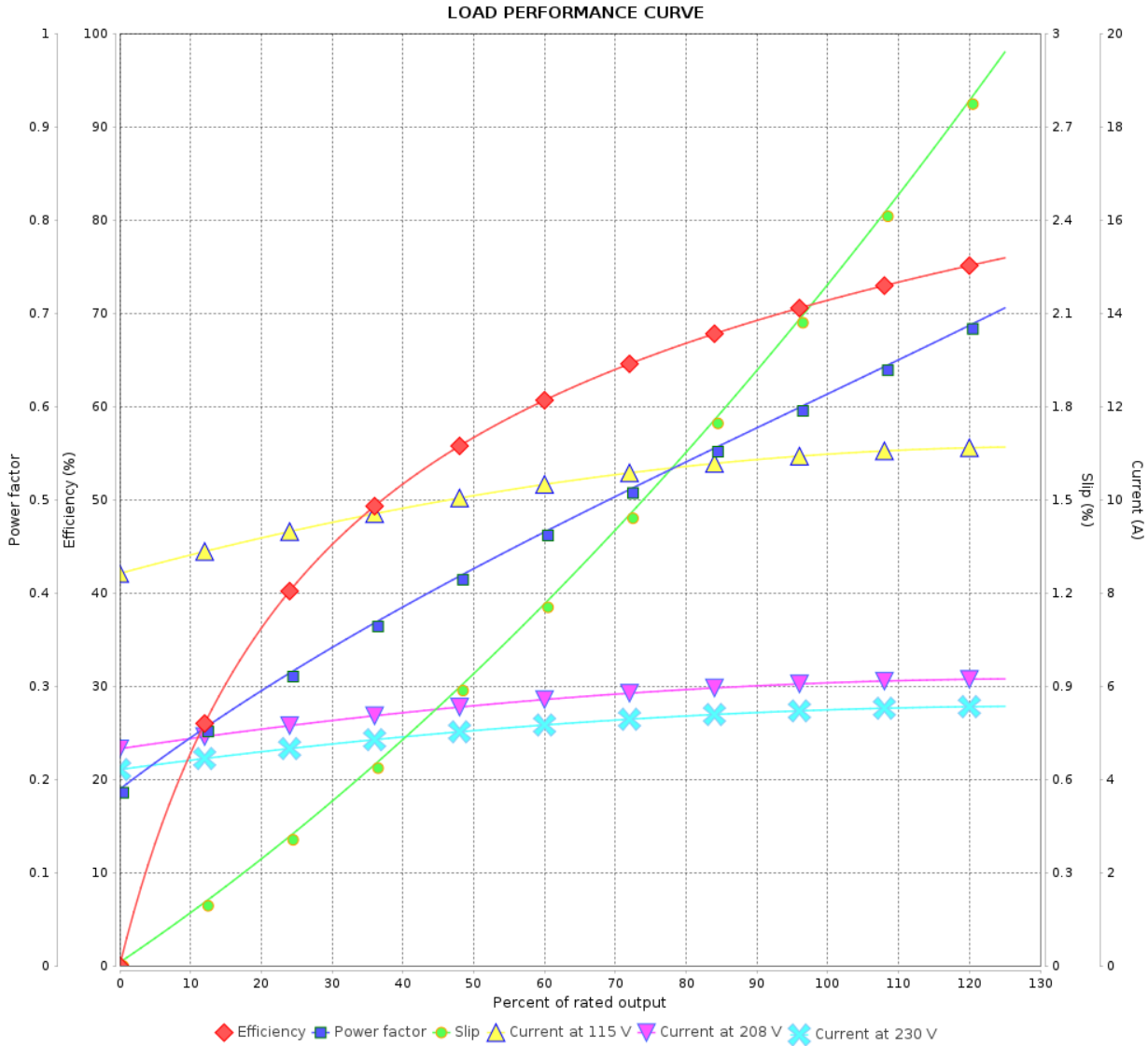
LOAD PERFORMANCE CURVE

Single Phase Induction Motor - Squirrel Cage



Customer : _____

Product line : Explosion Proof Single-Phase Product code : 10730948



Performance : 115/208-230 V 60 Hz 4P

Rated current : 11.0/5.40-5.50 A
 LRC : 6.4
 Rated torque : 0.309 kgfm
 Locked rotor torque : 320 %
 Breakdown torque : 300 %
 Rated speed : 1760 rpm

Moment of inertia (J) : 0.0053 kgm²
 Duty cycle : Cont.(S1)
 Insulation class : B
 Service factor :
 Temperature rise : 80 K

Rev.	Changes Summary	Performed	Checked	Date
Performed by			Page	Revision
Checked by				
Date				

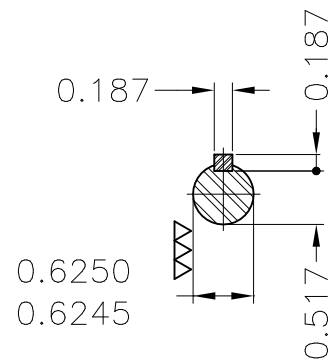
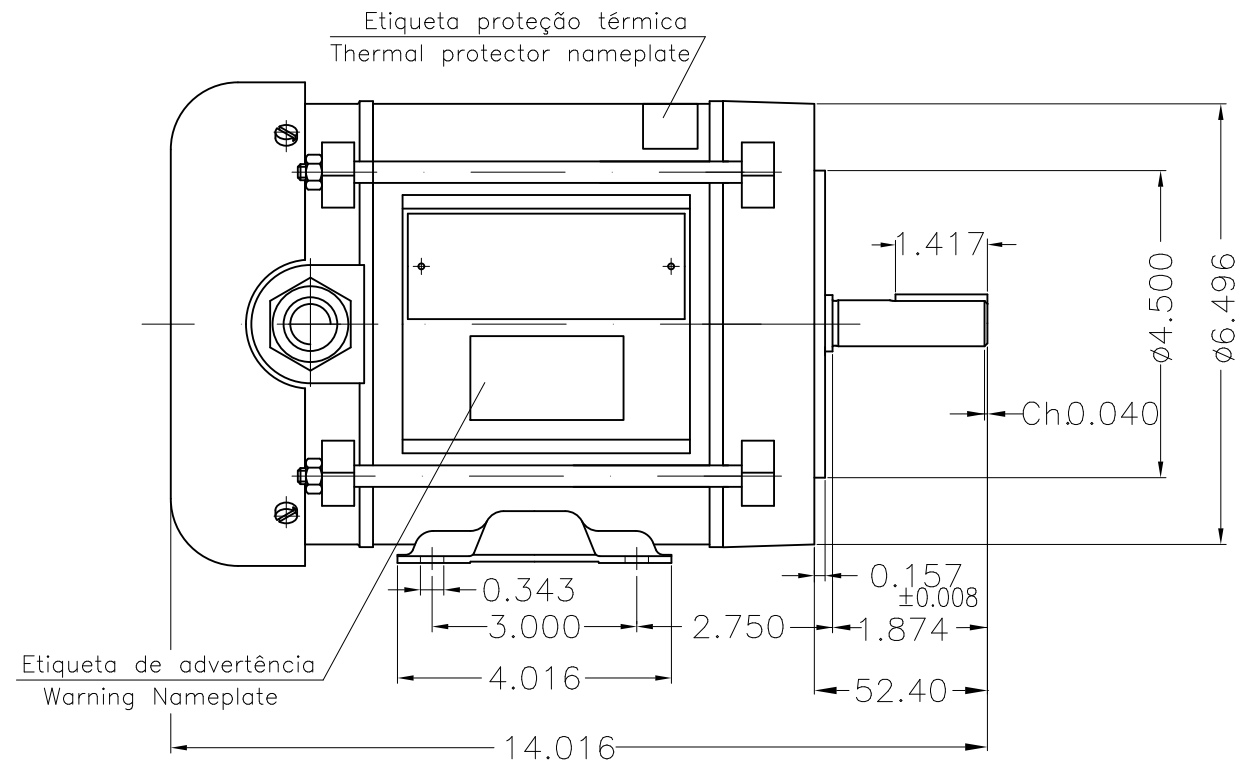
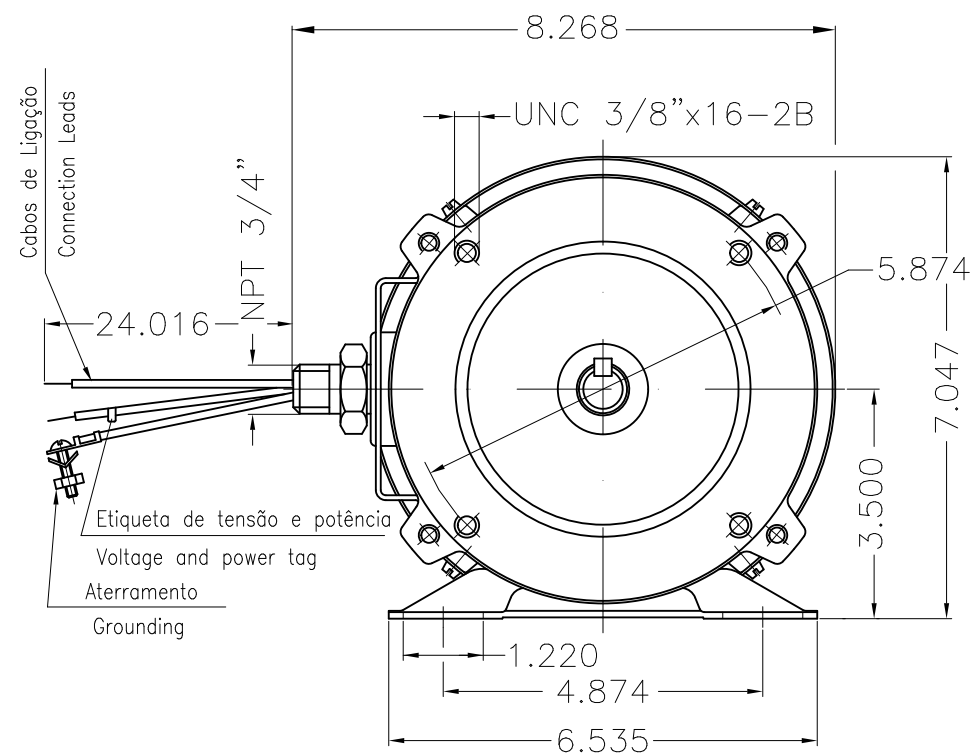
A

B

C

D

E



Mounting B34R(D)						
			HYBRISUSER			00
ECM	LOC	SUMMARY OF MODIFICATIONS		EXECUTED	CHECKED	RELEASED
EXECUTED	HYBRISUSER	SINGLE PH. MOTOR EXPLOSION PROOF FRAME D56CEX IP44 TEFC		PREVIEW		
CHECKED				WDD	00	
RELEASED				SHEET	1 / 1	
REL. DATE	WMO	Jaragua do Sul	Product Engineering			

3/4 HP 04 Poles 60 Hz

Dimensions in inches

XME A3