

# DATA SHEET



## Three Phase Induction Motor - Squirrel Cage

Customer :					
Product line		: Explosion Proof Standard Efficiency Three-Phase		Product code : 10333032	
Frame	: B56CEX		Locked rotor time	: 27s (cold) 15s (hot)	
Output	: 0.5 HP (0.37 kW)		Temperature rise	: 80 K	
Poles	: 4		Duty cycle	: Cont.(S1)	
Frequency	: 60 Hz		Ambient temperature	: -20°C to +40°C	
Rated voltage	: 575 V		Altitude	: 1000 m.a.s.l.	
Rated current	: 0.650 A		Protection degree	: IP44	
L. R. Amperes	: 4.42 A		Cooling method	: IC411 - TEFC	
LRC	: 6.8x(Code K)		Mounting	: F-1	
No load current	: 0.500 A		Rotation <sup>1</sup>	: Both (CW and CCW)	
Rated speed	: 1755 rpm		Noise level <sup>2</sup>	: 50.0 dB(A)	
Slip	: 2.50 %		Starting method	: Direct On Line	
Rated torque	: 0.207 kgfm		Approx. weight <sup>3</sup>	: 15.6 kg	
Locked rotor torque	: 220 %				
Breakdown torque	: 330 %				
Insulation class	: B				
Service factor	: 1.15				
Moment of inertia (J)	: 0.0034 kgm <sup>2</sup>				
Output	50%	75%	100%	Foundation loads	
Efficiency (%)	70.0	75.5	77.5	Max. traction : 14 kgf	
Power Factor	0.52	0.64	0.73	Max. compression : 29 kgf	
		<u>Drive end</u>		<u>Non drive end</u>	
Bearing type	:	6203 ZZ		6203 ZZ	
Sealing	:	Without Bearing Seal		Without Bearing Seal	
Lubrication interval	:	-		-	
Lubricant amount	:	-		-	
Lubricant type	:	Mobil Polyrex EM			
Notes					
This revision replaces and cancel the previous one, which must be eliminated. (1) Looking the motor from the shaft end. (2) Measured at 1m and with tolerance of +3dB(A). (3) Approximate weight subject to changes after manufacturing process. (4) At 100% of full load.			These are average values based on tests with sinusoidal power supply, subject to the tolerances stipulated in NEMA MG-1.		
Rev.	Changes Summary		Performed	Checked	Date
Performed by					
Checked by				Page	Revision
Date	26/10/2024			1 / 3	

# DATA SHEET

## Three Phase Induction Motor - Squirrel Cage



Customer : \_\_\_\_\_

### Thermal protection

ID	Application	Type	Quantity	Sensing Temperature
1	Winding	Thermostat - 2 wires	1 x Phase	130 °C

Rev.	Changes Summary	Performed	Checked	Date
Performed by				
Checked by			Page	Revision
Date	26/10/2024		2 / 3	

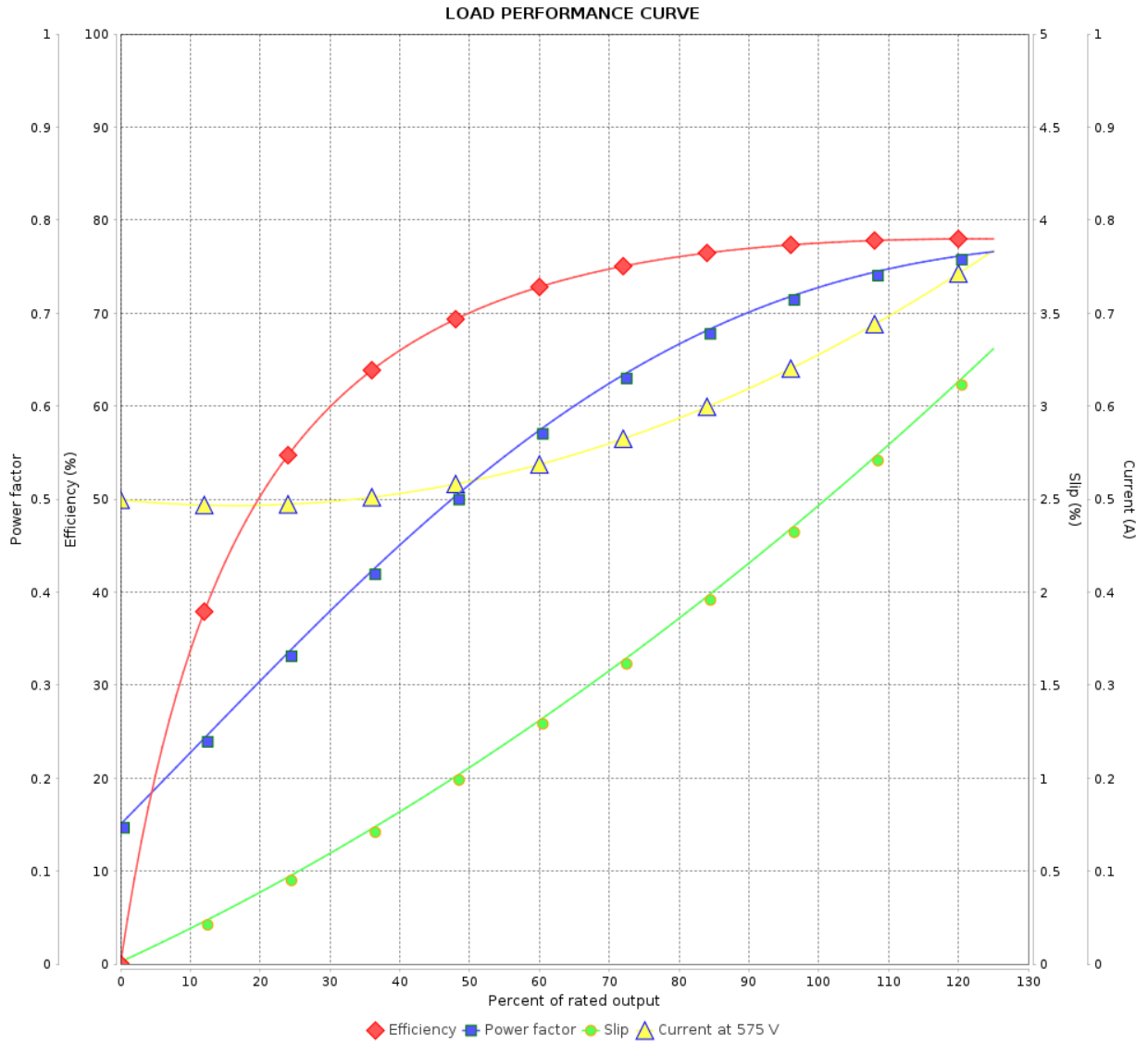
# LOAD PERFORMANCE CURVE

Three Phase Induction Motor - Squirrel Cage



Customer :

Product line : Explosion Proof Standard Efficiency Three-Phase Product code : 10333032



Performance : 575 V 60 Hz 4P

Rated current : 0.650 A  
 LRC : 6.8  
 Rated torque : 0.207 kgfm  
 Locked rotor torque : 220 %  
 Breakdown torque : 330 %  
 Rated speed : 1755 rpm

Moment of inertia (J) : 0.0034 kgm<sup>2</sup>  
 Duty cycle : Cont.(S1)  
 Insulation class : B  
 Service factor : 1.15  
 Temperature rise : 80 K

Rev.	Changes Summary	Performed	Checked	Date
Performed by			Page	Revision
Checked by				
Date				

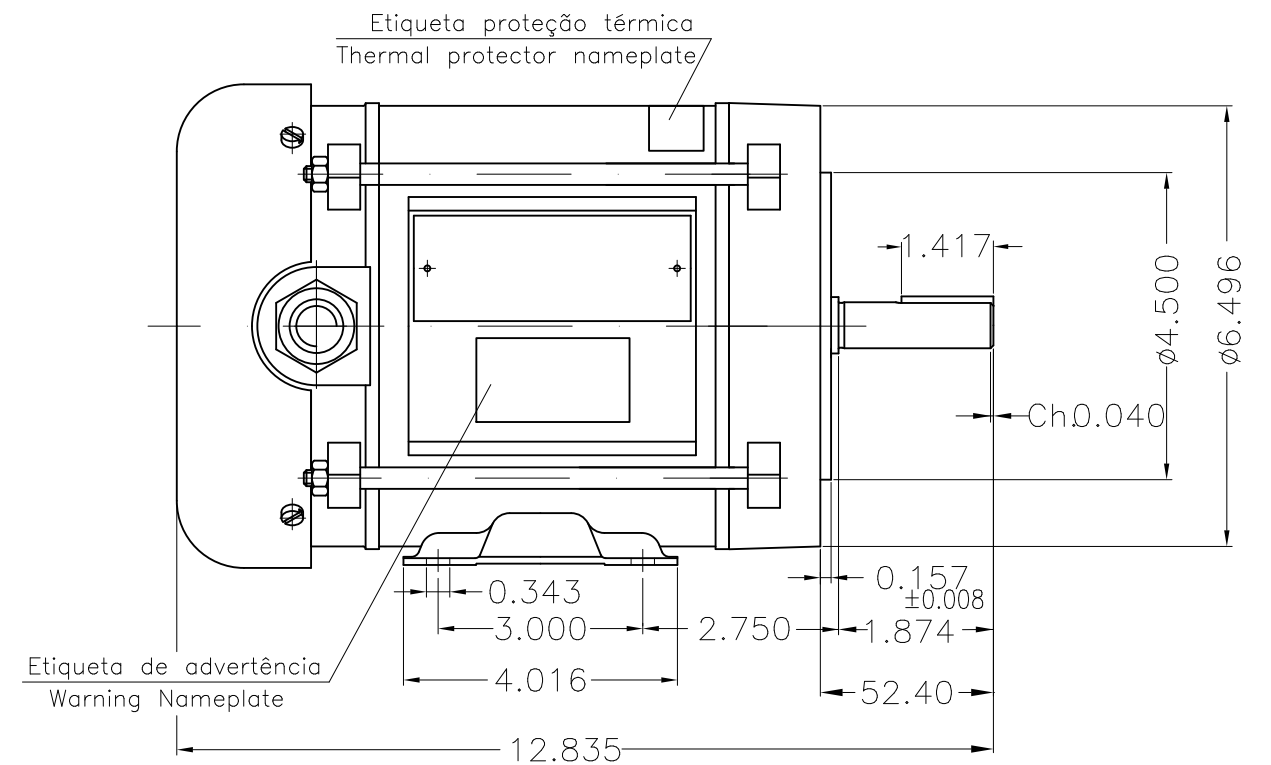
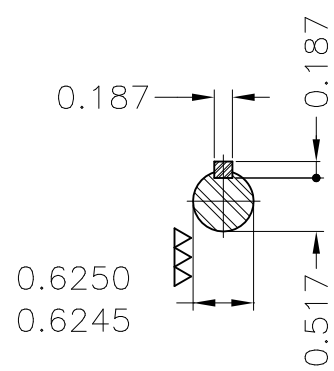
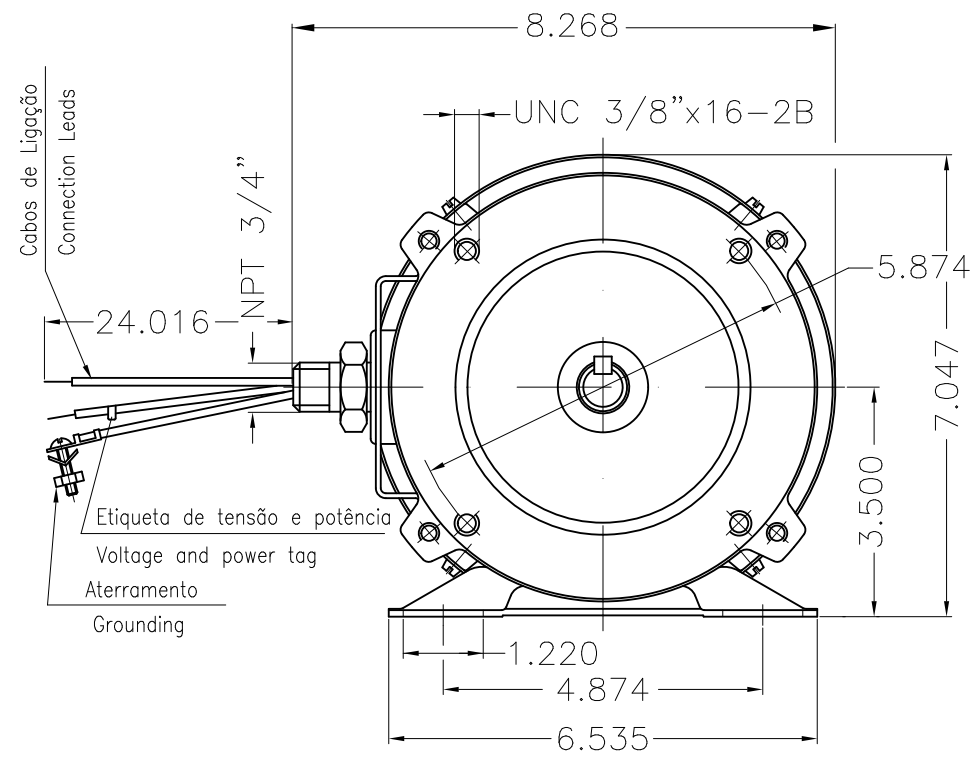
A

B

C

D

E



Bearing cap									
Mounting B34R(D)									
						HYBRISUSER		00	
ECM	LOC	SUMMARY OF MODIFICATIONS			EXECUTED	CHECKED	RELEASED	DATE	VER
EXECUTED	HYBRISUSER	THREE PH. MOTOR EXPLOSION PROOF			PREVIEW				
CHECKED		FRAME B56CEX IP44 TEFC			WDD		00		
RELEASED					SHEET		1 / 1		
REL. DATE		WMO	Jaragua do Sul	Product Engineering					

0.5 HP 04 Poles 60 Hz

A

