

# DATA SHEET



## Single Phase Induction Motor - Squirrel Cage

Customer :

Product line : Explosion Proof Single-Phase Product code : 10796344

Frame	: B56CEX	Locked rotor time	: 10s (cold) 6s (hot)
Output	: 0.5 HP (0.37 kW)	Temperature rise	: 80 K
Poles	: 4	Duty cycle	: Cont.(S1)
Frequency	: 60 Hz	Ambient temperature	: -20°C to +40°C
Rated voltage	: 115/208-230 V	Altitude	: 1000 m.a.s.l.
Rated current	: 7.40/3.60-3.70 A	Protection degree	: IP44
L. R. Amperes	: 44.4/21.6-22.2 A	Cooling method	: IC411 - TEFC
LRC	: 6.0x(Code M)	Mounting	: F-1
No load current	: 6.00/2.59-3.00 A	Rotation <sup>1</sup>	: Both (CW and CCW)
Rated speed	: 1750 rpm	Starting method	: Direct On Line
Slip	: 2.78 %	Approx. weight <sup>3</sup>	: 17.6 kg
Rated torque	: 0.207 kgfm		
Locked rotor torque	: 280 %		
Breakdown torque	: 220 %		
Insulation class	: B		
Service factor	: 1.15		
Moment of inertia (J)	: 0.0041 kgm <sup>2</sup>		

Output	50%	75%	100%	Foundation loads	
Efficiency (%)	57.0	64.0	68.6	Max. traction	: 6 kgf
Power Factor	0.44	0.55	0.63	Max. compression	: 23 kgf

		<u>Drive end</u>	<u>Non drive end</u>
Bearing type	:	6203 ZZ	6203 ZZ
Sealing	:	Without Bearing Seal	Without Bearing Seal
Lubrication interval	:	-	-
Lubricant amount	:	-	-
Lubricant type	:	Mobil Polyrex EM	

### Notes

This revision replaces and cancel the previous one, which must be eliminated.

- (1) Looking the motor from the shaft end.
- (2) Measured at 1m and with tolerance of +3dB(A).
- (3) Approximate weight subject to changes after manufacturing process.
- (4) At 100% of full load.

These are average values based on tests with sinusoidal power supply, subject to the tolerances stipulated in NEMA MG-1.

Rev.	Changes Summary	Performed	Checked	Date
Performed by				
Checked by			Page	Revision
Date	26/10/2024		1 / 2	

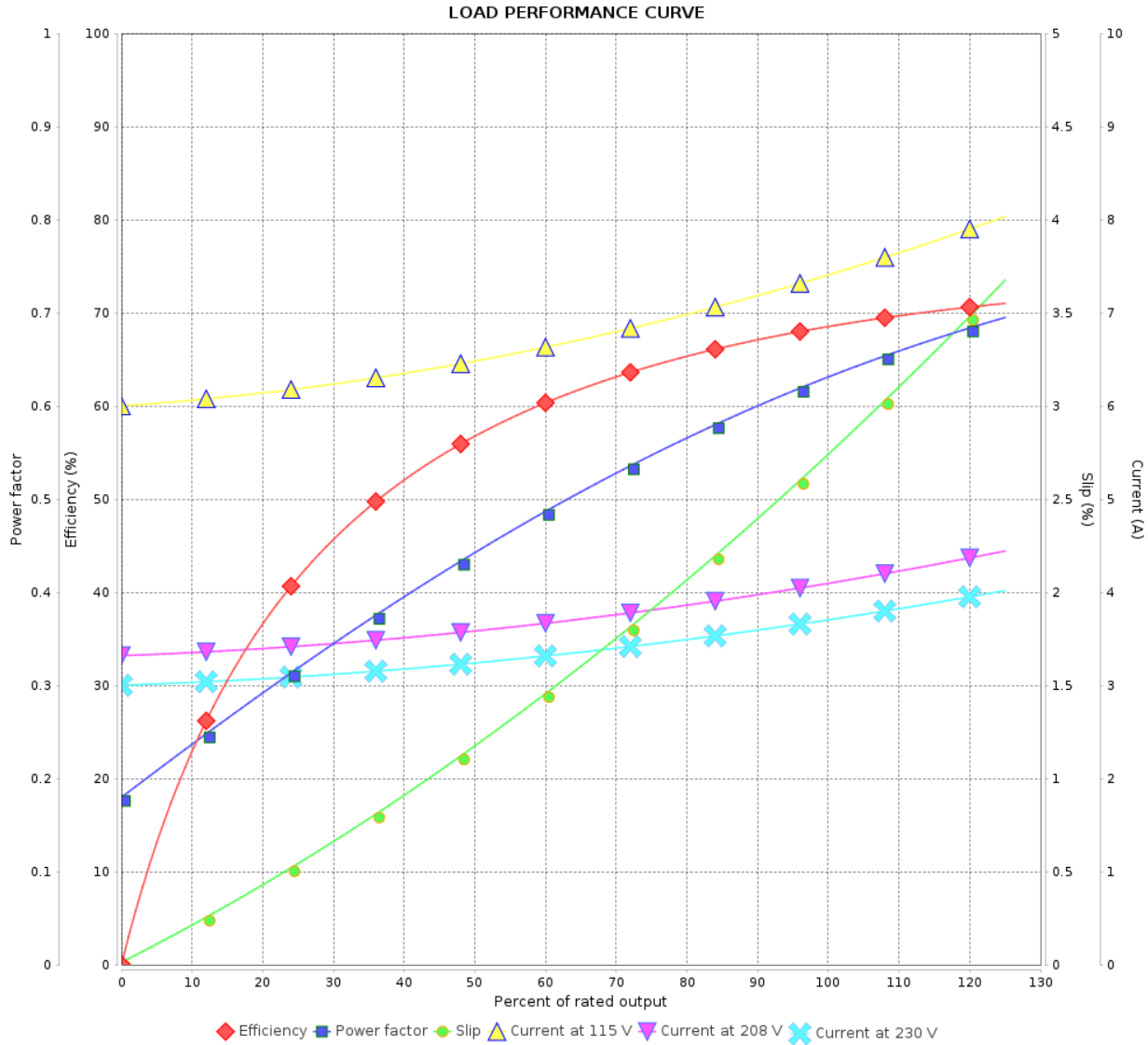
# LOAD PERFORMANCE CURVE

Single Phase Induction Motor - Squirrel Cage



Customer :

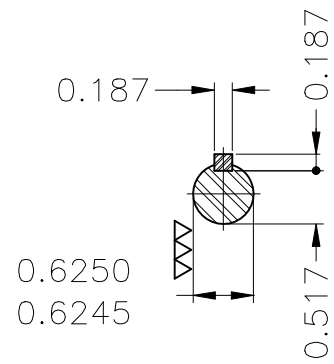
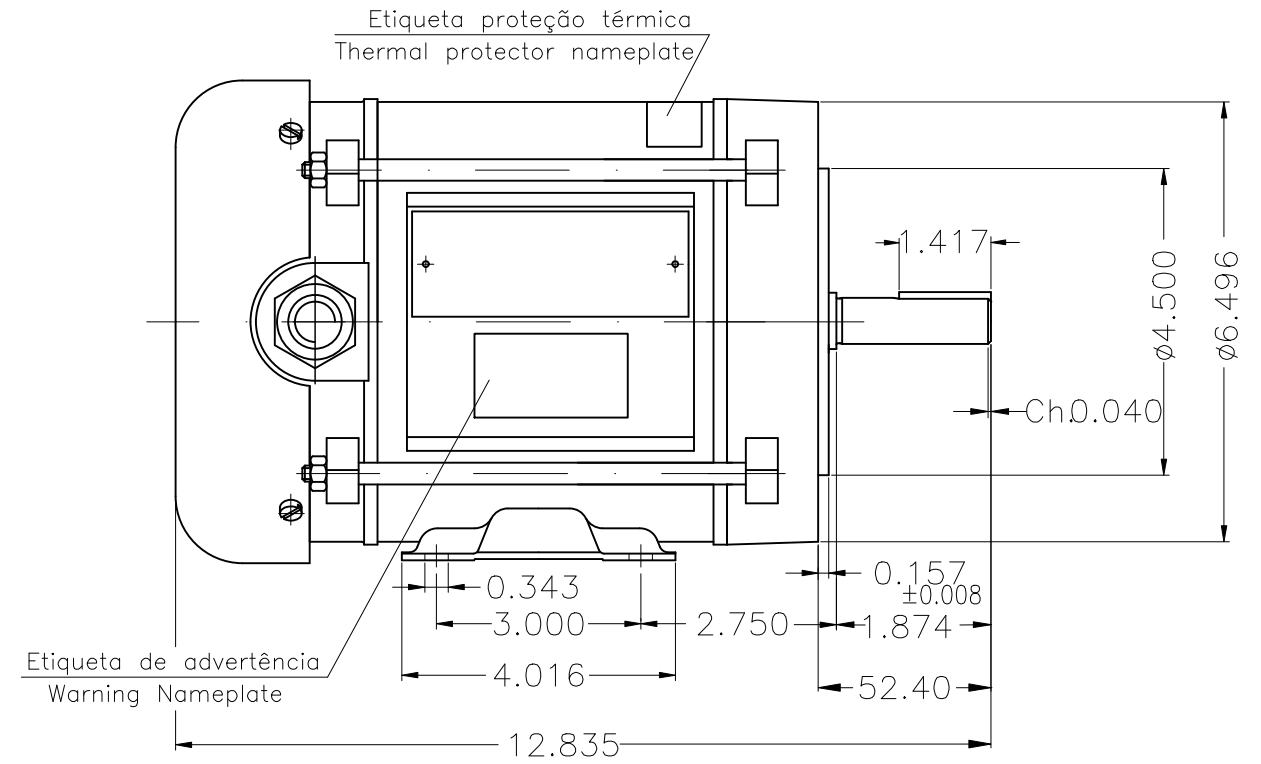
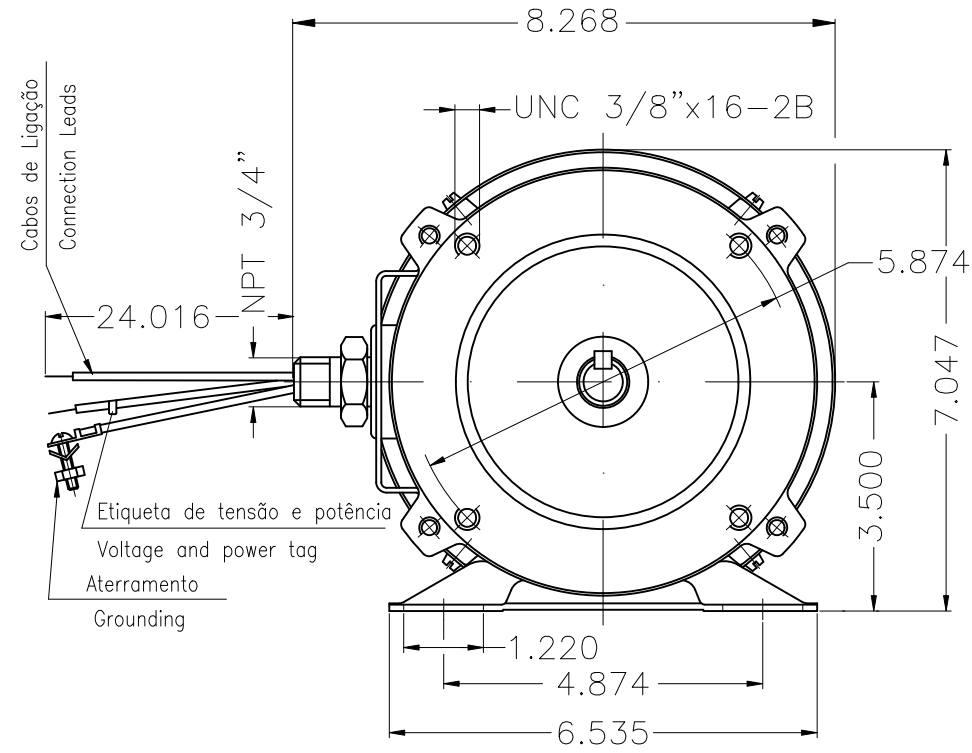
Product line : Explosion Proof Single-Phase Product code : 10796344



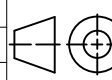

Performance : 115/208-230 V 60 Hz 4P

Rated current	: 7.40/3.60-3.70 A	Moment of inertia (J)	: 0.0041 kgm <sup>2</sup>
LRC	: 6.0	Duty cycle	: Cont.(S1)
Rated torque	: 0.207 kgfm	Insulation class	: B
Locked rotor torque	: 280 %	Service factor	:
Breakdown torque	: 220 %	Temperature rise	: 80 K
Rated speed	: 1750 rpm		

Rev.	Changes Summary	Performed	Checked	Date
Performed by			Page	Revision
Checked by			2 / 2	
Date	26/10/2024			



Sealing cement in the leads outlet special  
 Mounting NEMA F-1  
 Mounting B34D

						HYBRISUSER						00	
ECM	LOC	SUMMARY OF MODIFICATIONS				EXECUTED	CHECKED	RELEASED	DATE	VER			
EXECUTED	HYBRISUSER	 SINGLE PH. MOTOR EXPLOSION PROOF FRAME B56CEX IP44 TEFC				PREVIEW							
CHECKED						WDD	00						
RELEASED						SHEET	1 / 1						
REL. DATE		WMO	Jaragua do Sul	Product Engineering									

1/2 HP 04 Poles 60 Hz

A