

# DATA SHEET



## Single Phase Induction Motor - Squirrel Cage

Customer :					
Product line		: Explosion Proof Single-Phase		Product code : 11260289	
Frame	: A56CEX		Locked rotor time	: 10s (cold) 6s (hot)	
Output	: 0.33 HP (0.25 kW)		Temperature rise	: 80 K	
Poles	: 4		Duty cycle	: Cont.(S1)	
Frequency	: 60 Hz		Ambient temperature	: -20°C to +40°C	
Rated voltage	: 115/208-230 V		Altitude	: 1000 m.a.s.l.	
Rated current	: 6.50/3.00-3.25 A		Protection degree	: IP44	
L. R. Amperes	: 35.1/16.2-17.6 A		Cooling method	: IC411 - TEFC	
LRC	: 5.4x(Code N)		Mounting	: F-1	
No load current	: 5.95/2.56-2.98 A		Rotation <sup>1</sup>	: Both (CW and CCW)	
Rated speed	: 1755 rpm		Starting method	: Direct On Line	
Slip	: 2.50 %		Approx. weight <sup>3</sup>	: 15.2 kg	
Rated torque	: 0.136 kgfm				
Locked rotor torque	: 310 %				
Breakdown torque	: 290 %				
Insulation class	: B				
Service factor	: 1.15				
Moment of inertia (J)	: 0.0034 kgm <sup>2</sup>				
Output	50%	75%	100%	Foundation loads	
Efficiency (%)	46.5	55.2	60.2	Max. traction : 5 kgf	
Power Factor	0.39	0.48	0.54	Max. compression : 20 kgf	
		<u>Drive end</u>		<u>Non drive end</u>	
Bearing type	:	6203 ZZ		6203 ZZ	
Sealing	:	Without Bearing Seal		Without Bearing Seal	
Lubrication interval	:	-		-	
Lubricant amount	:	-		-	
Lubricant type	:	Mobil Polyrex EM			
Notes					
This revision replaces and cancel the previous one, which must be eliminated. (1) Looking the motor from the shaft end. (2) Measured at 1m and with tolerance of +3dB(A). (3) Approximate weight subject to changes after manufacturing process. (4) At 100% of full load.			These are average values based on tests with sinusoidal power supply, subject to the tolerances stipulated in NEMA MG-1.		
Rev.	Changes Summary		Performed	Checked	Date
Performed by					
Checked by				Page	Revision
Date	26/10/2024			1 / 2	

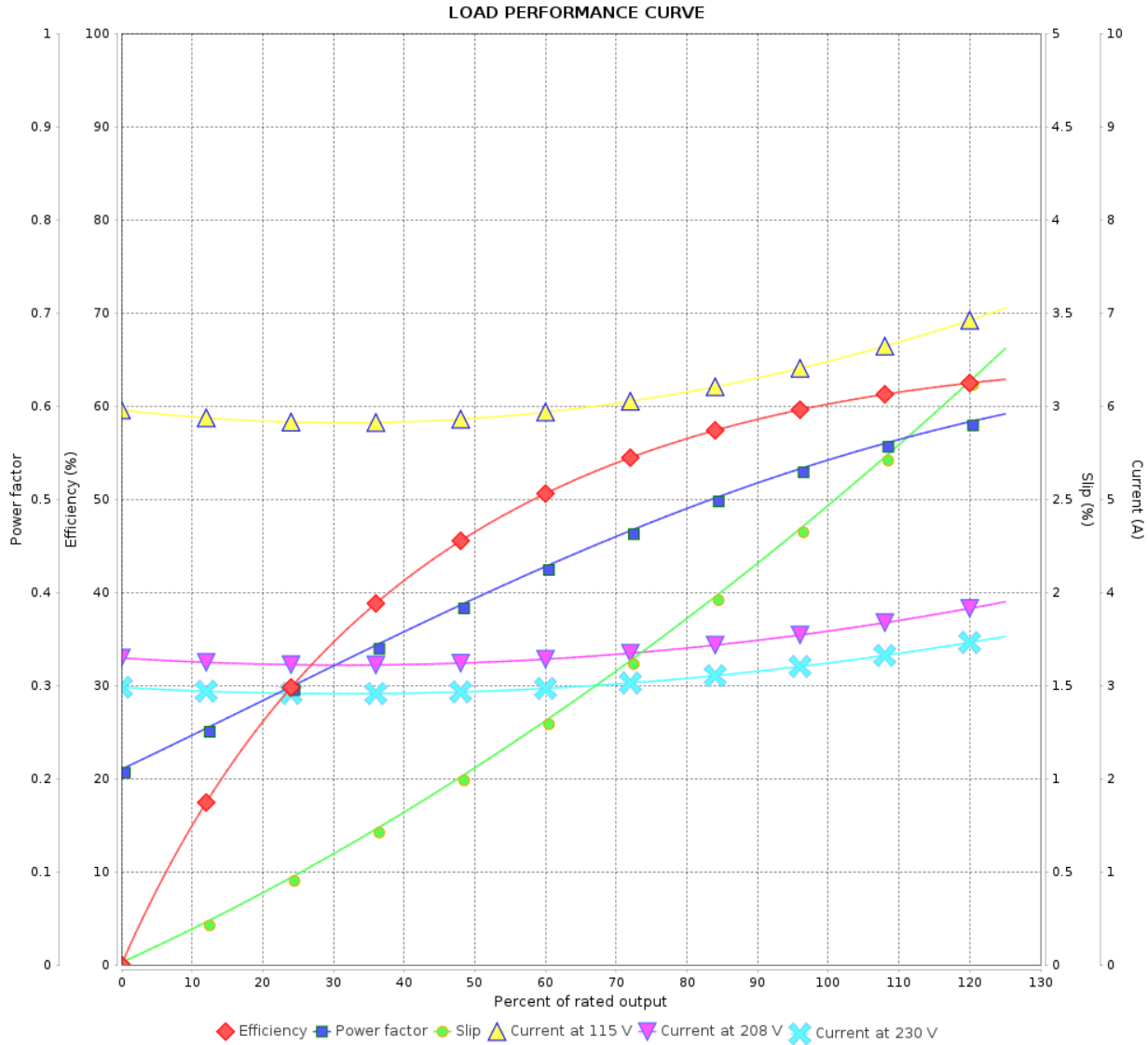
# LOAD PERFORMANCE CURVE

Single Phase Induction Motor - Squirrel Cage



Customer : \_\_\_\_\_

Product line : Explosion Proof Single-Phase      Product code : 11260289

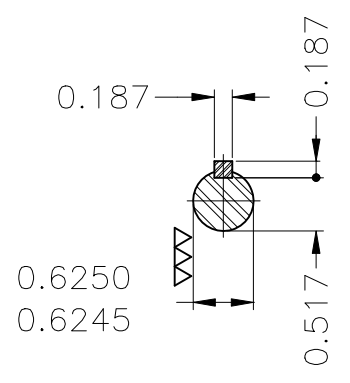
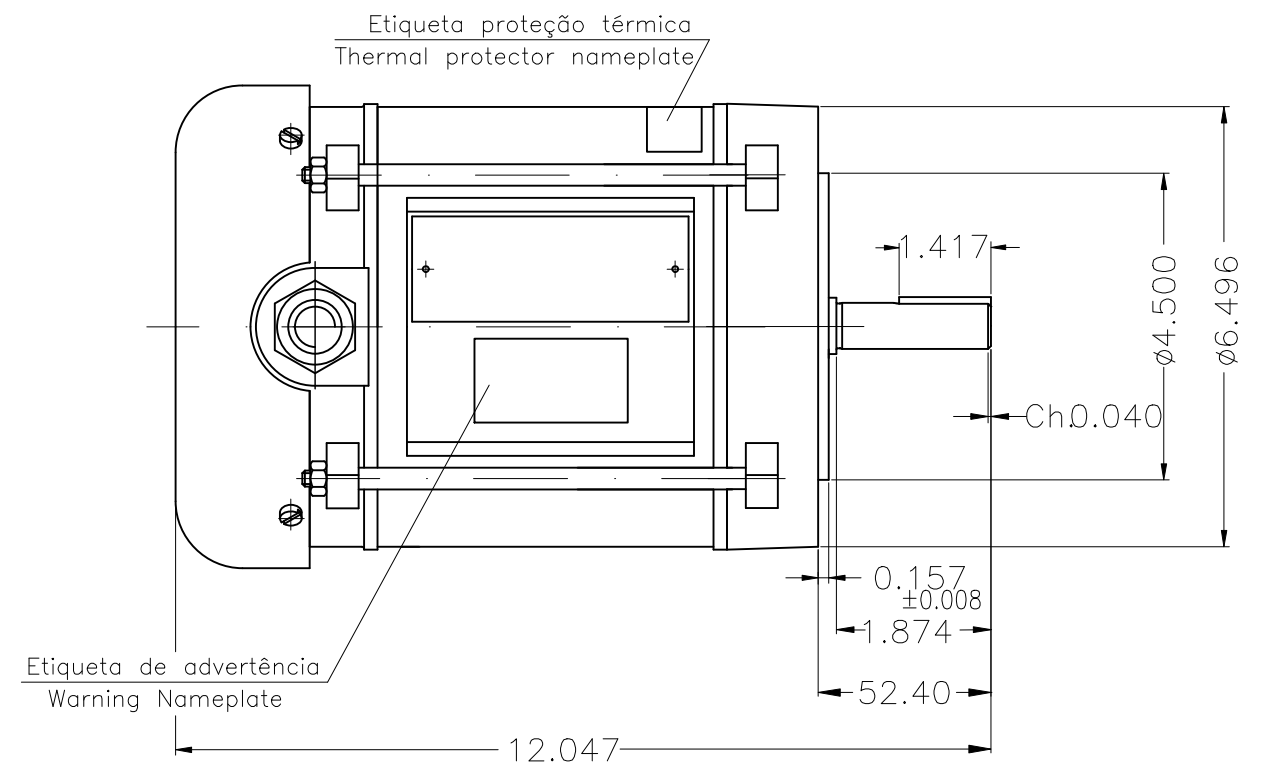
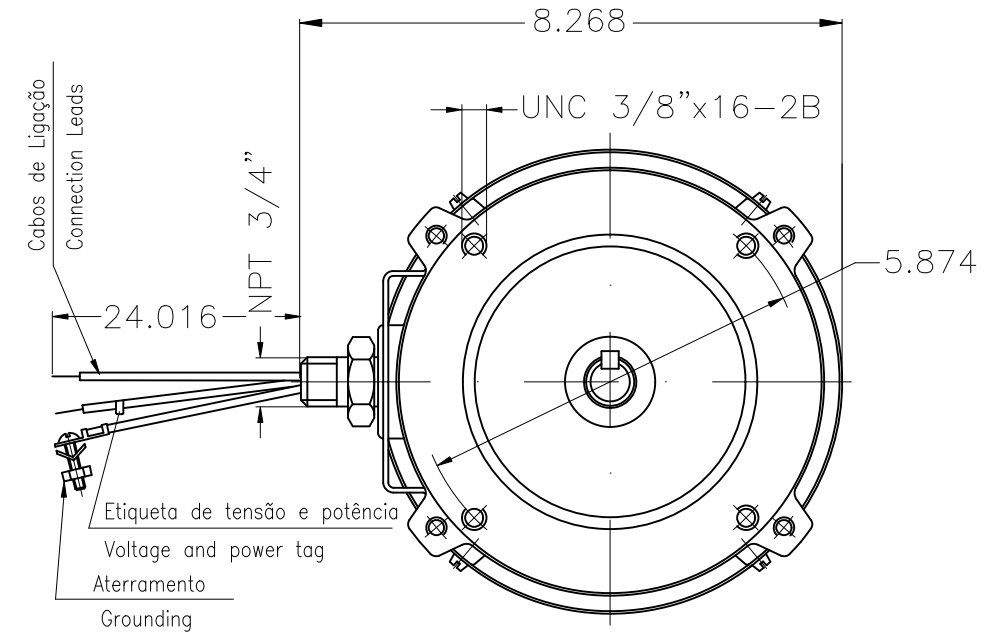


Performance : 115/208-230 V 60 Hz 4P

Rated current : 6.50/3.00-3.25 A  
 LRC : 5.4  
 Rated torque : 0.136 kgfm  
 Locked rotor torque : 310 %  
 Breakdown torque : 290 %  
 Rated speed : 1755 rpm

Moment of inertia (J) : 0.0034 kgm<sup>2</sup>  
 Duty cycle : Cont.(S1)  
 Insulation class : B  
 Service factor :  
 Temperature rise : 80 K

Rev.	Changes Summary	Performed	Checked	Date
Performed by			Page 2 / 2	Revision
Checked by				
Date	26/10/2024			



Mounting B14R(D)									
ECM	LOC	SUMMARY OF MODIFICATIONS			EXECUTED	CHECKED	RELEASED	DATE	VER
EXECUTED	HYBRISUSER	SINGLE PH. MOTOR EXPLOSION PROOF							00
CHECKED		FRAME A56CEX IP44 TEFC							
RELEASED									
REL. DATE		WMO	Jaragua do Sul	Product Engineering					

1/3 HP 04 Poles 60 Hz

A

PREVIEW  
WDD 00  
SHEET 1 / 1

