

DATA SHEET



Single Phase Induction Motor - Squirrel Cage

Customer :					
Product line		: Explosion Proof Single-Phase		Product code : 10612779	
Frame	: A56CEX		Locked rotor time	: 10s (cold) 6s (hot)	
Output	: 0.33 HP (0.25 kW)		Temperature rise	: 80 K	
Poles	: 4		Duty cycle	: Cont.(S1)	
Frequency	: 60 Hz		Ambient temperature	: -20°C to +40°C	
Rated voltage	: 115/208-230 V		Altitude	: 1000 m.a.s.l.	
Rated current	: 6.50/3.00-3.25 A		Protection degree	: IP44	
L. R. Amperes	: 35.1/16.2-17.6 A		Cooling method	: IC411 - TEFC	
LRC	: 5.4x(Code N)		Mounting	: F-1	
No load current	: 5.95/2.56-2.98 A		Rotation ¹	: Both (CW and CCW)	
Rated speed	: 1755 rpm		Starting method	: Direct On Line	
Slip	: 2.50 %		Approx. weight ³	: 15.8 kg	
Rated torque	: 0.136 kgfm				
Locked rotor torque	: 310 %				
Breakdown torque	: 290 %				
Insulation class	: B				
Service factor	: 1.15				
Moment of inertia (J)	: 0.0034 kgm ²				
Output	50%	75%	100%	Foundation loads	
Efficiency (%)	46.5	55.2	60.2	Max. traction : 4 kgf	
Power Factor	0.39	0.48	0.54	Max. compression : 20 kgf	
		<u>Drive end</u>	<u>Non drive end</u>		
Bearing type	:	6203 ZZ	6203 ZZ		
Sealing	:	Without Bearing Seal	Without Bearing Seal		
Lubrication interval	:	-	-		
Lubricant amount	:	-	-		
Lubricant type	:	Mobil Polyrex EM			
Notes					
This revision replaces and cancel the previous one, which must be eliminated. (1) Looking the motor from the shaft end. (2) Measured at 1m and with tolerance of +3dB(A). (3) Approximate weight subject to changes after manufacturing process. (4) At 100% of full load.			These are average values based on tests with sinusoidal power supply, subject to the tolerances stipulated in NEMA MG-1.		
Rev.	Changes Summary		Performed	Checked	Date
Performed by					
Checked by				Page	Revision
Date	26/10/2024			1 / 2	

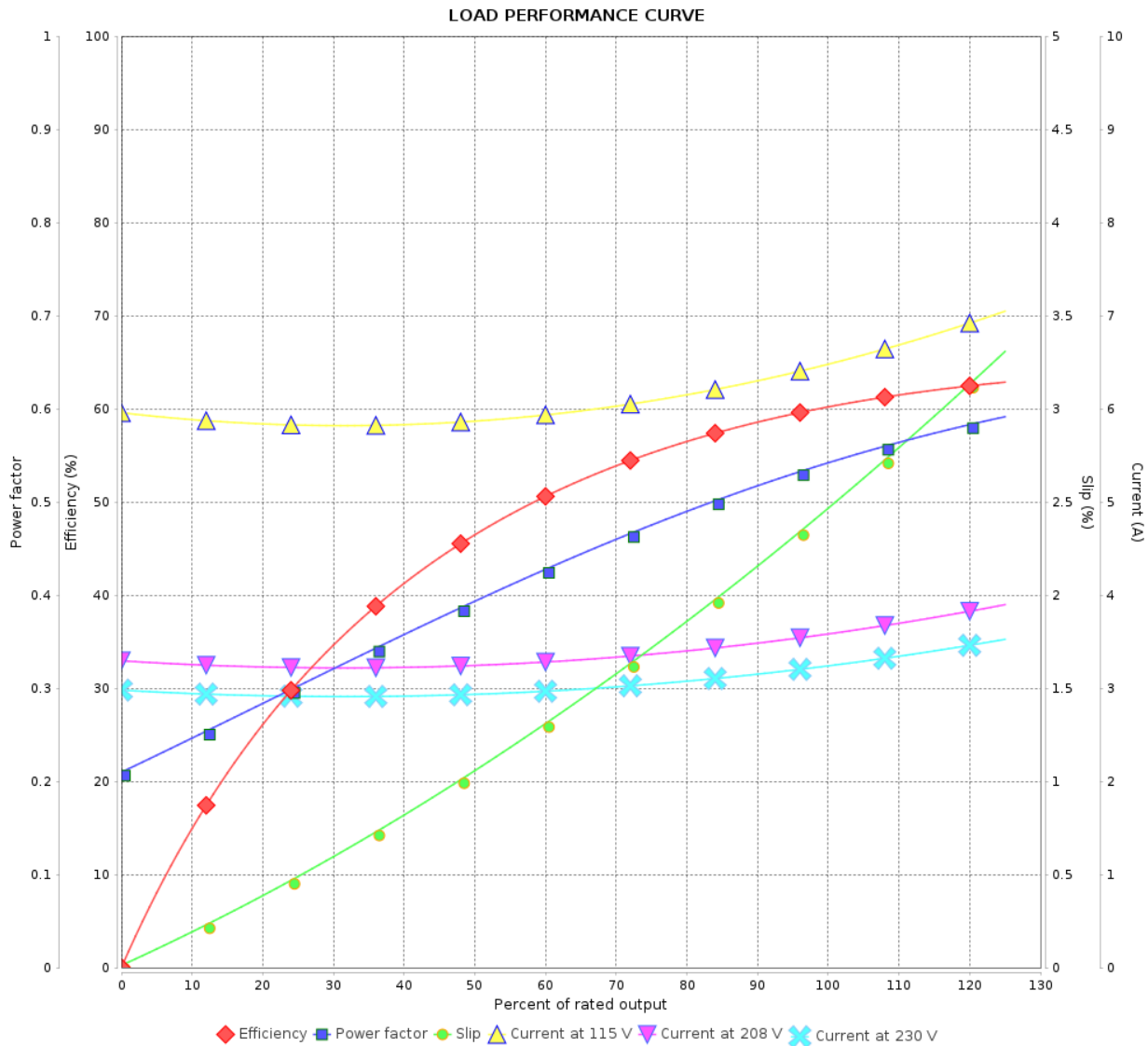
LOAD PERFORMANCE CURVE

Single Phase Induction Motor - Squirrel Cage



Customer : _____

Product line : Explosion Proof Single-Phase Product code : 10612779

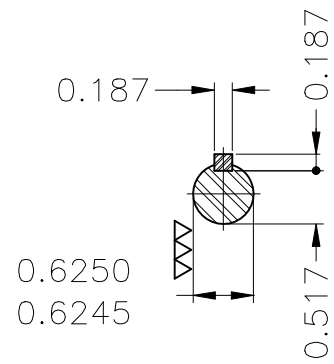
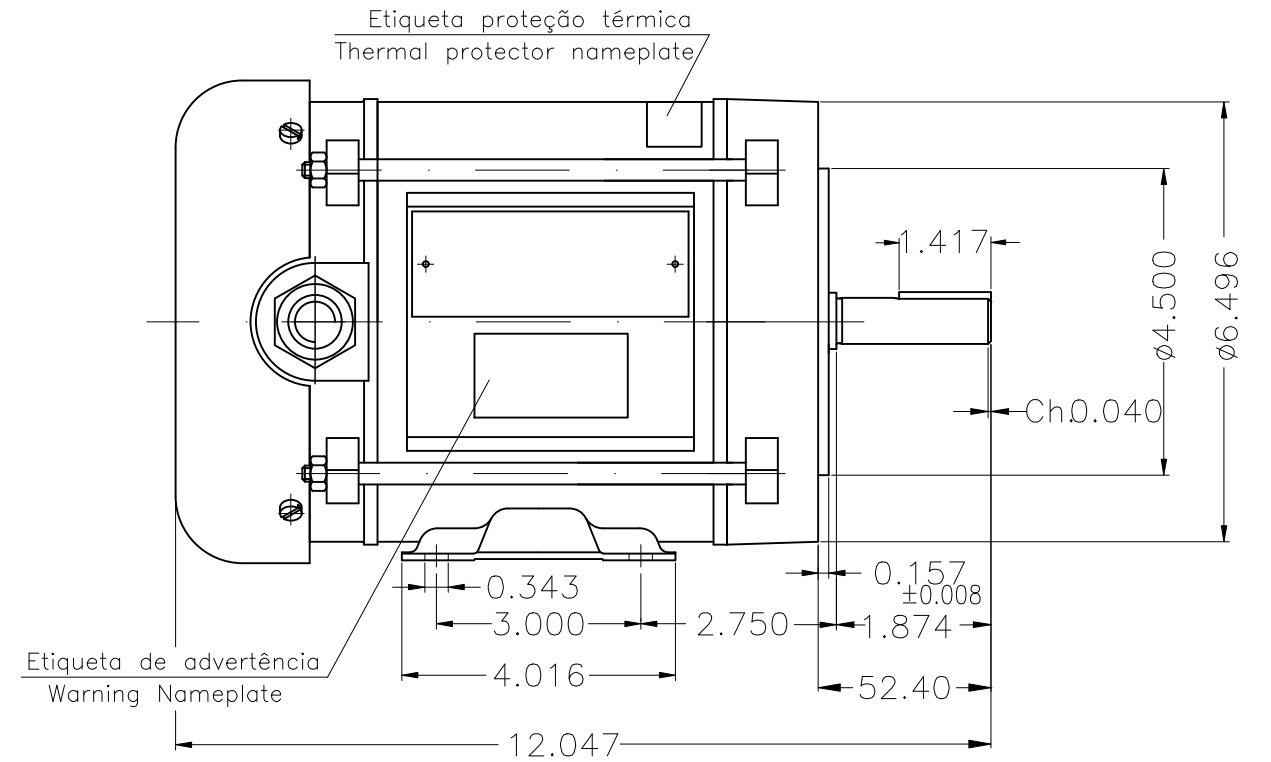
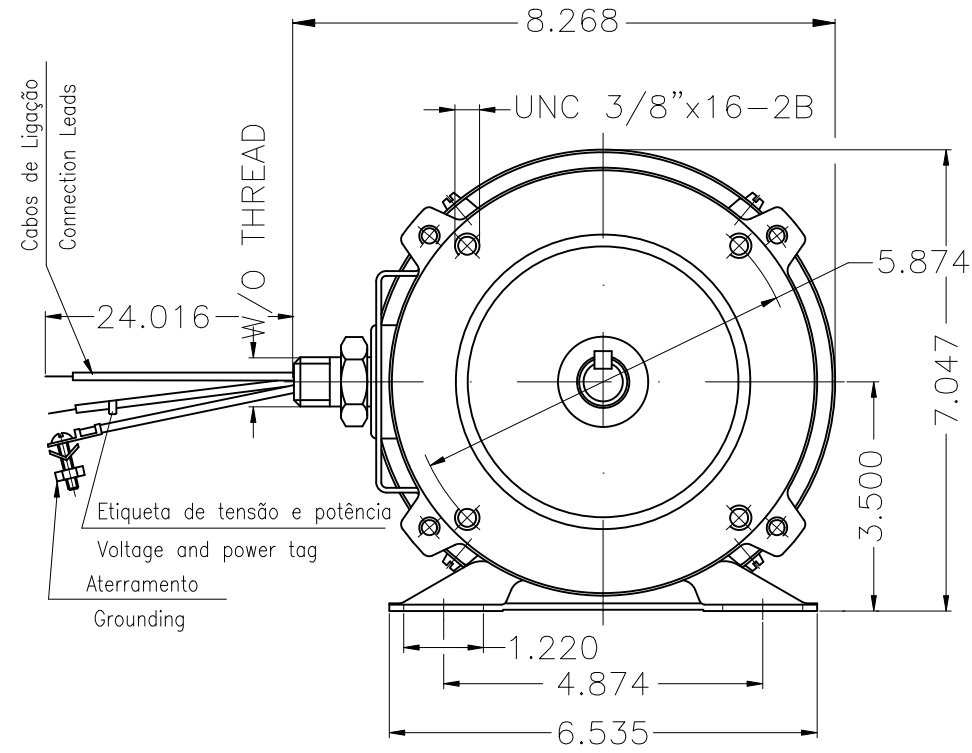


Performance : 115/208-230 V 60 Hz 4P

Rated current : 6.50/3.00-3.25 A
 LRC : 5.4
 Rated torque : 0.136 kgfm
 Locked rotor torque : 310 %
 Breakdown torque : 290 %
 Rated speed : 1755 rpm

Moment of inertia (J) : 0.0034 kgm²
 Duty cycle : Cont.(S1)
 Insulation class : B
 Service factor :
 Temperature rise : 80 K

Rev.	Changes Summary	Performed	Checked	Date
Performed by			Page	Revision
Checked by				
Date				



Mounting B34D									
ECM	LOC	SUMMARY OF MODIFICATIONS			EXECUTED	CHECKED	RELEASED	DATE	VER
EXECUTED	HYBRISUSER	SINGLE PH. MOTOR EXPLOSION PROOF							00
CHECKED		FRAME A56CEX IP44 TEFC							
RELEASED									
REL. DATE		WMO	Jaragua do Sul	Product Engineering					

1/3 HP 04 Poles 60 Hz

A

PREVIEW
WDD 00

