

DATA SHEET

Single Phase Induction Motor - Squirrel Cage



Customer :

Product line : Rolled Steel Jet Pump - J type Single-Phase Product code : 18978298

Frame	: 56J	Locked rotor time	: 12s (cold) 7s (hot)
Output	: 3 HP (2.2 kW)	Temperature rise	: 80 K
Frequency	: 60 Hz	Duty cycle	: Cont.(S1)
Rated voltage	: 208-230 V	Ambient temperature	: -20°C to +40°C
Poles	: 2	Altitude	: 1000 m.a.s.l.
Rated current	: 13.6-12.5 A	Protection degree	: IP55
	: 8.2x(Code J)	Cooling method	: IC411 - TEFC
Rated speed	: 3500 rpm	Mounting	: F-1
Rated torque	: 0.622 kgfm	Rotation ¹	: CCW
Insulation class	: F	Starting method	: Direct On Line
Service factor	: 1.15	Approx. weight ²	: 20.5 kg
Moment of inertia (J)	: 0.0040 kgm ²		
Design	: L		

Output	25%	50%	75%	100%	Foundation loads	
Efficiency (%)	0.000	81.5	84.0	84.0	Max. traction	: 46 kgf
Power Factor	0.00	0.83	0.88	0.91	Max. compression	: 66 kgf

		<u>Drive end</u>	<u>Non drive end</u>
Bearing type	:	6203 2RS	6202 2RS
Sealing	:	V'Ring	Without Bearing Seal
Lubrication interval	:	0 h	0 h
Lubricant amount	:	0 g	0 g
Lubricant type	:	Mobil Polyrex EM	

Notes

This revision replaces and cancel the previous one, which must be eliminated.

- (1) Looking the motor from the shaft end.
- (2) Measured at 1m and with tolerance of +3dB(A).
- (3) Approximate weight subject to changes after manufacturing process.
- (4) At 100% of full load.

These are average values based on tests with sinusoidal power supply, subject to the tolerances stipulated in NEMA MG-1.

Rev.	Changes Summary	Performed	Checked	Date
Performed by		Page		Revision
Checked by		1 / 2		
Date	26/06/2026			

LOAD PERFORMANCE CURVE

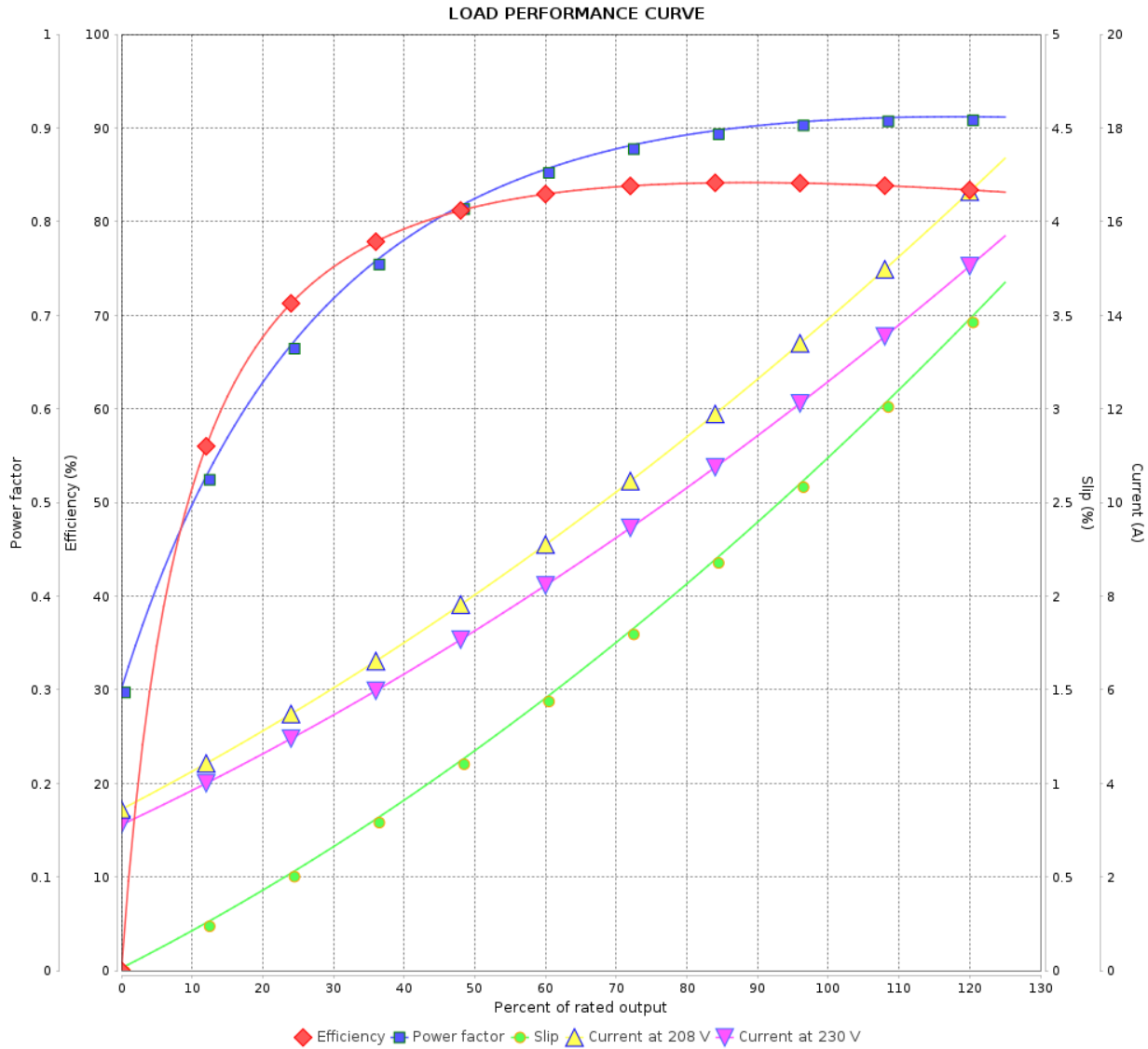
Single Phase Induction Motor - Squirrel Cage



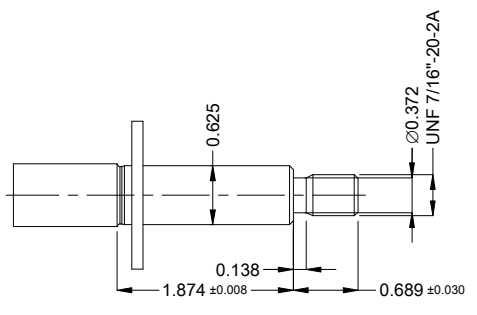
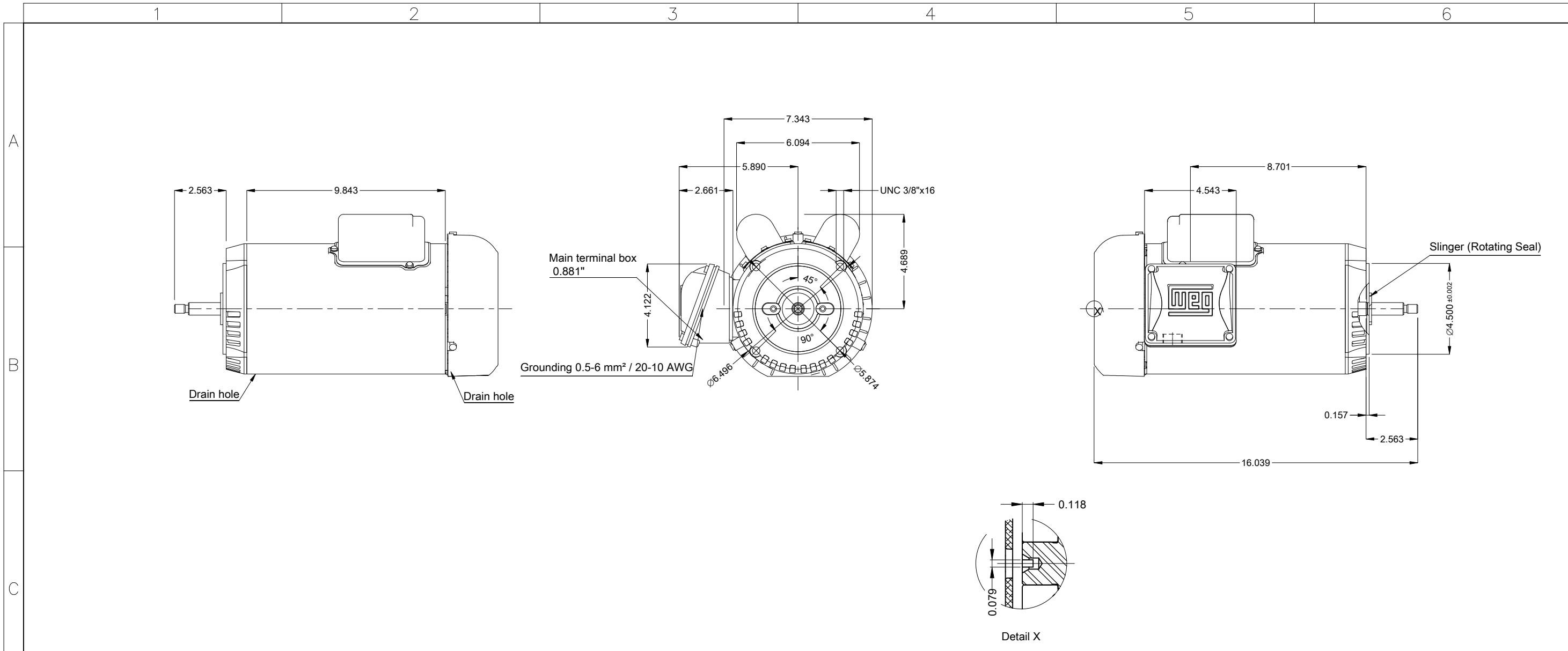
Customer : _____

Product line : Rolled Steel Jet Pump - J type
Single-Phase

Product code : 18978298



Rev.	Changes Summary	Performed	Checked	Date
Performed by			Page 2 / 2	Revision
Checked by				
Date 26/06/2026				



Reinforce the foot with 2 mig welding spots
Shaft material - stainless steel AISI 304
Fan cover - steel plate
Color Munsell N 1 matte black
Painting plan 207N
Mounting MARKET F-1/B14R(D)
Mounting F-1/B14R(D)

3 HP 02 Poles 60 Hz						A
Scale 1 : 5						
HYBRISUSER						00
ECM	LOC	SUMMARY OF MODIFICATIONS		EXECUTED	CHECKED	RELEASED
EXECUTED	HYBRISUSER	SINGLE PH. MOTOR ROLLED STEEL JET PUMP THREADED PREFFEE		EXECUTED	CHECKED	RELEASED
CHECKED		FRAME 56J IP55 TEFC		EXECUTED	CHECKED	RELEASED
RELEASED				EXECUTED	CHECKED	RELEASED
REL. DATE				EXECUTED	CHECKED	RELEASED
				PREVIEW		
				WDD 00		
				SHEET 1 / 1		

Dimensions in inches

A3

