

DATA SHEET



Single Phase Induction Motor - Squirrel Cage

Customer :

Product line : General Single-Phase Product code : 10084782

Frame	: B56	Locked rotor time	: 10s (cold) 6s (hot)
Output	: 0.5 HP (0.37 kW)	Temperature rise	: 80 K
Poles	: 2	Duty cycle	: Cont.(S1)
Frequency	: 60 Hz	Ambient temperature	: -20°C to +40°C
Rated voltage	: 115/208-230 V	Altitude	: 1000 m.a.s.l.
Rated current	: 7.60/3.80-3.80 A	Protection degree	: IP55
L. R. Amperes	: 42.6/21.3-21.3 A	Cooling method	: IC411 - TEFC
LRC	: 5.6x(Code L)	Mounting	: F-1
No load current	: 5.60/2.41-2.80 A	Rotation ¹	: Both (CW and CCW)
Rated speed	: 3480 rpm	Noise level ²	: 55.0 dB(A)
Slip	: 3.33 %	Starting method	: Direct On Line
Rated torque	: 0.104 kgfm	Approx. weight ³	: 10.4 kg
Locked rotor torque	: 320 %		
Breakdown torque	: 280 %		
Insulation class	: B		
Service factor	: 1.15		
Moment of inertia (J)	: 0.0013 kgm ²		

Output	50%	75%	100%	Foundation loads	
Efficiency (%)	45.0	52.0	58.0	Max. traction	: 4 kgf
Power Factor	0.56	0.66	0.73	Max. compression	: 14 kgf

	Drive end	Non drive end
Bearing type	: 6203 ZZ	: 6202 ZZ
Sealing	: V'Ring	: V'Ring
Lubrication interval	: -	: -
Lubricant amount	: -	: -
Lubricant type	: Mobil Polyrex EM	

Notes

This revision replaces and cancel the previous one, which must be eliminated.

- (1) Looking the motor from the shaft end.
- (2) Measured at 1m and with tolerance of +3dB(A).
- (3) Approximate weight subject to changes after manufacturing process.
- (4) At 100% of full load.

These are average values based on tests with sinusoidal power supply, subject to the tolerances stipulated in NEMA MG-1.

Rev.	Changes Summary	Performed	Checked	Date
Performed by				
Checked by			Page	Revision
Date	26/10/2024		1 / 2	

LOAD PERFORMANCE CURVE

Single Phase Induction Motor - Squirrel Cage

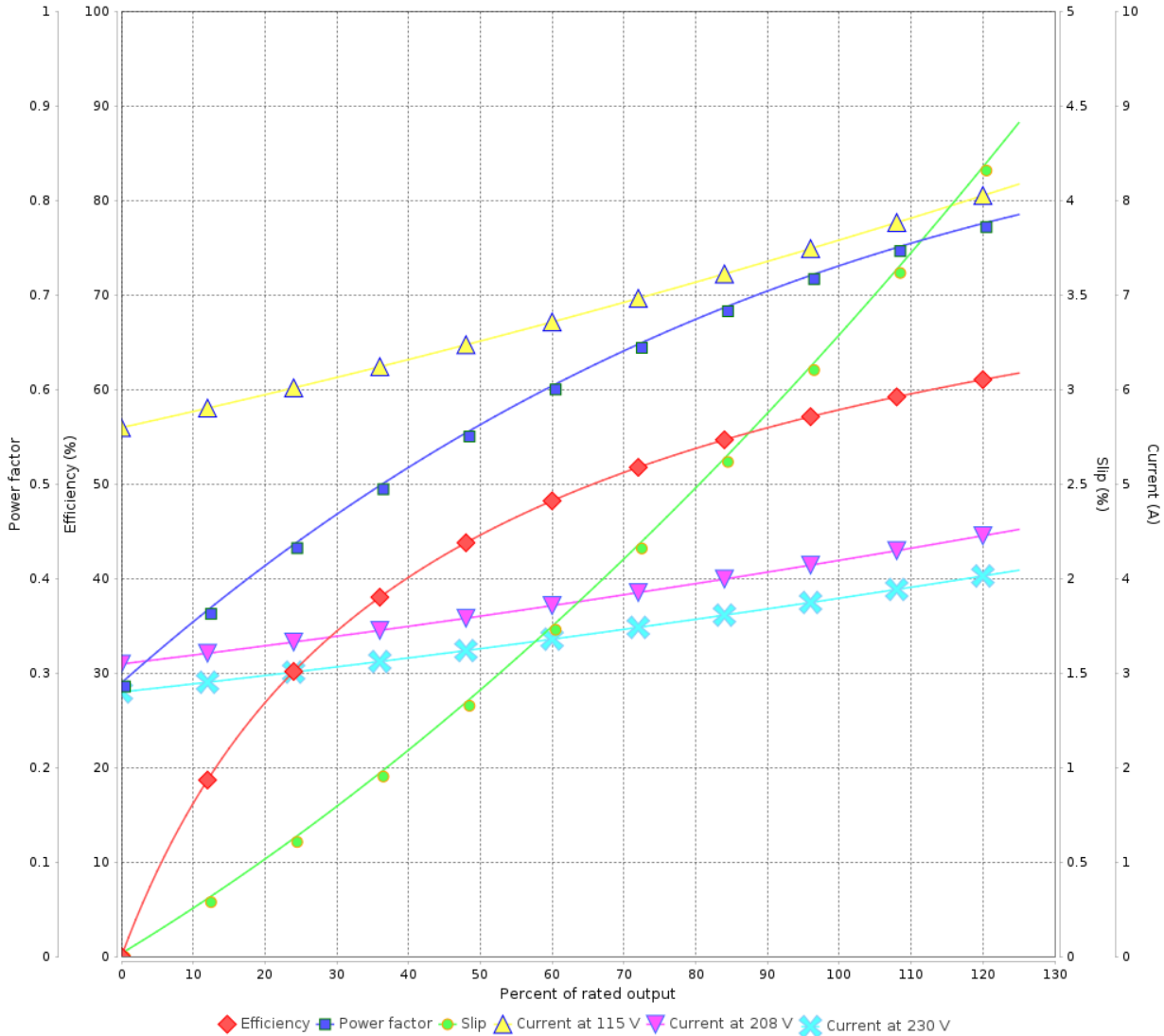


Customer :

Product line : General Single-Phase

Product code : 10084782

LOAD PERFORMANCE CURVE

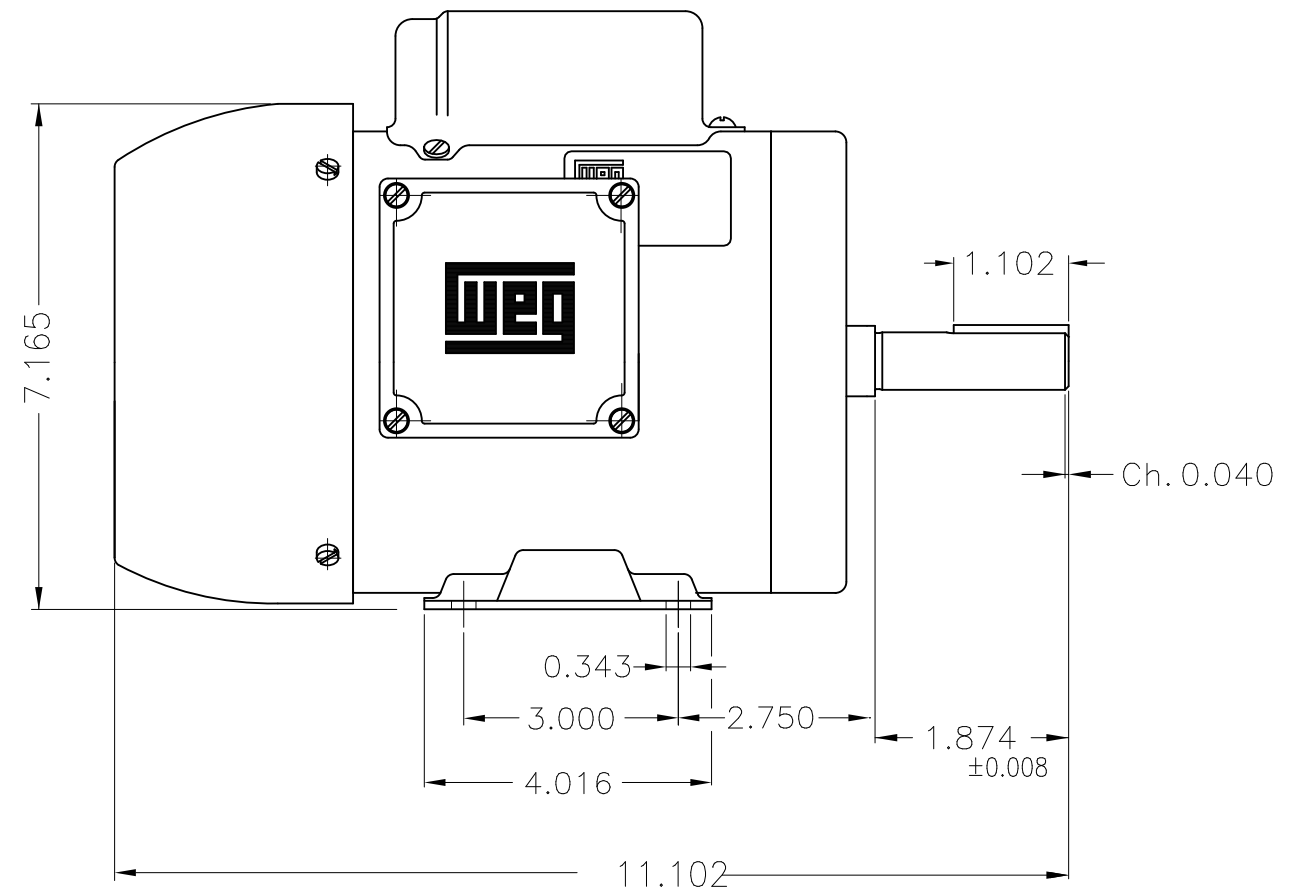
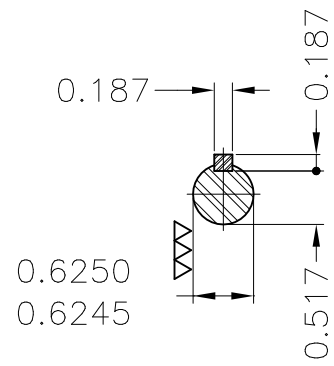
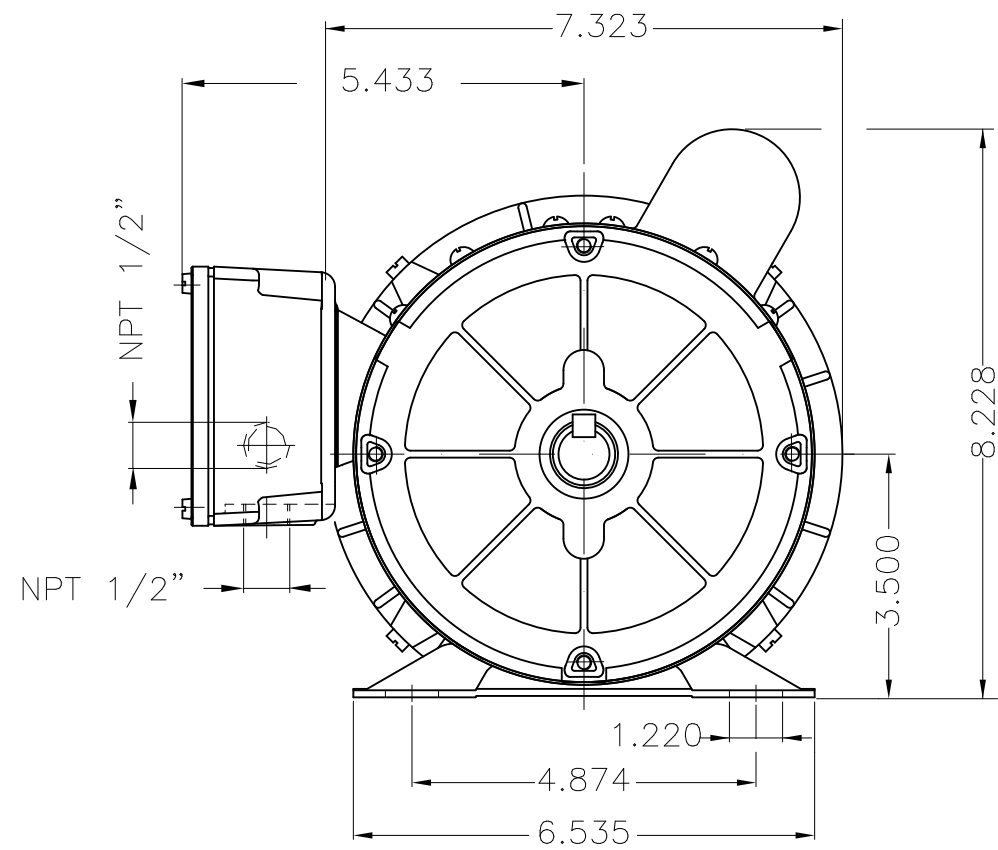


Performance : 115/208-230 V 60 Hz 2P

Rated current : 7.60/3.80-3.80 A
 LRC : 5.6
 Rated torque : 0.104 kgfm
 Locked rotor torque : 320 %
 Breakdown torque : 280 %
 Rated speed : 3480 rpm

Moment of inertia (J) : 0.0013 kgm²
 Duty cycle : Cont.(S1)
 Insulation class : B
 Service factor :
 Temperature rise : 80 K

Rev.	Changes Summary	Performed	Checked	Date
Performed by			Page	Revision
Checked by				
Date				



Mounting B3R(D)										
ECM	LOC	SUMMARY OF MODIFICATIONS				EXECUTED	CHECKED	RELEASED	DATE	VER
EXECUTED	HYBRISUSER	SINGLE PH. MOTOR GENERAL								
CHECKED		FRAME B56 IP55 TEFC								
RELEASED										
REL. DATE		WMO	Jaragua do Sul	Product Engineering						

PREVIEW

WDD 00

SHEET 1 / 1



1/2 HP 02 Poles 60 Hz